

- NOTE: 1.MATERIAL SPECIFICATION:  
1.HOUSING:HIGH TEMPERATURE RESISTANT PLASTIC,UL94 V-0.  
2.CONTACTS:COPPER ALLOY  
4.FRONT SHELL: STAINLESS STEEL  
2.MECHANICAL PERFORMANCE,  
2-1.INSERTION FORCE: 0.5~2.0kgf.  
2-2.REMOVAL FORCE: 0.8kgf~2.0kgf.  
2-3.DURABILITY: 10000 CYCLES.  
3.ELECTRICAL PERFORMANCE,  
3-1. CURRENT RATING:5/3.0A  
VOLTAGE RATING:20V  
3-2. LLCR:  
VBUS & GND PINS AND OTHER PINS: 40mΩ/PIN MAX.  
SHIELD: 50mΩ/MAX.  
LLCR MAX. CHANGE OF ALL PINS: 10mΩ.  
3-3.INSULATION RESISTANCE: 100MΩ MIN  
3-4.DIELECTRIC WITHSTAND VOLTAGE,AC 100V FOR 1 MINUTE.  
4. ENVIRONMENTAL PERFORMANCE:  
OPERATING TEMPERATURE: -25°C~+85°C.  
5.IR REFLOW:  
THE PEAK TEMPERATURE ON THE BOARD SHALL  
BE MAINTAINED FOR 10 SECONDS AT 260°C.  
5.P/N: USBC02-116XX-X00R

USB TYPE-C PIN ASSIGNMENTS

PIN NUMBER	SIGNAL NAME	PIN NUMBER	SIGNAL NAME
A1	GND	B12	GND
A4	VBUS	B9	VBUS
A5	CC1	B8	SBU2
A6	Dp1	B7	Dn2
A7	Dn1	B6	Dp2
A8	SBU1	B5	CC2
A9	VBUS	B4	VBUS
A12	GND	B1	GND

P/N	(F) 脚长	COLOR	额定电流
HC-TYPE C-16P-CH3.18-3A-02	0.90mm	黑色	3A
HC-TYPE C-16P-CH3.18-3A-B5-02	0.90mm	B5:蓝色(2990)	3A
HC-TYPE C-16P-CH3.18-3A-Y-02	0.90mm	Y:黄色(17495)	3A

Ordering Information

HC-TYPE C - 16P - \*\* \* - \*A - F\* - \* - 02

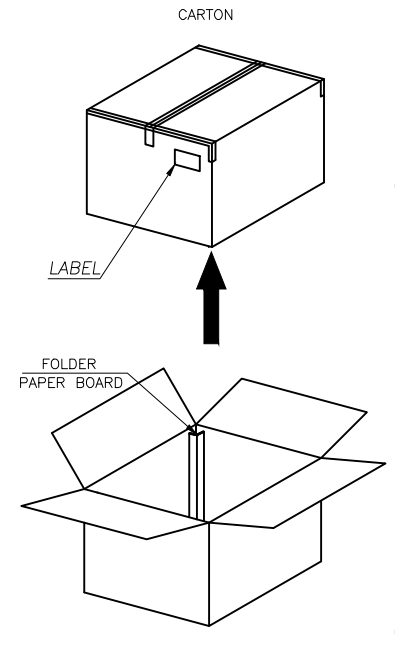
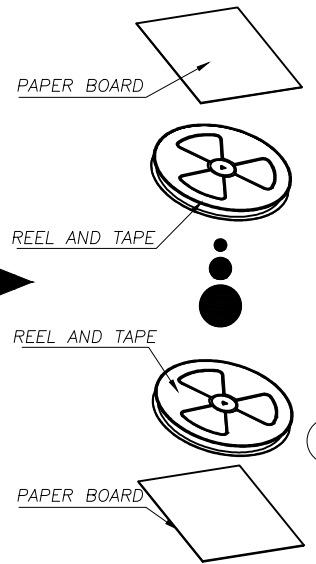
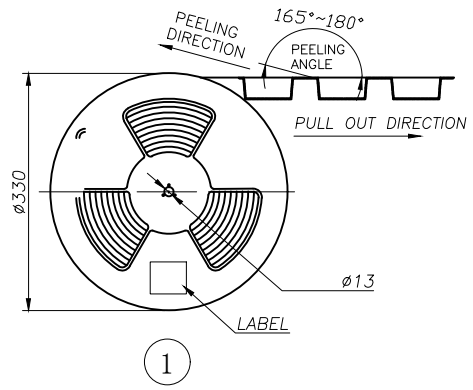
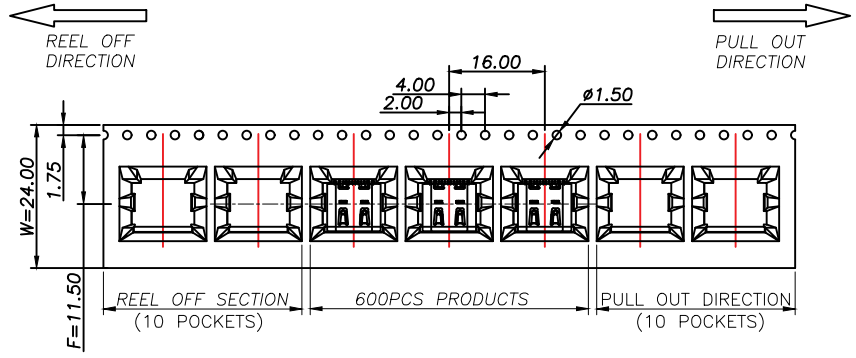
Pin 04P  
09P  
09P  
12P  
16P  
16P  
24P  
Type TM=Top Mount (贴片)  
US=DIP+SMT (插直插)  
MW=Mid Mount (中插)  
CH=Center Height (铁插)  
VS=Vertical SMT (垂直贴片)  
0P=0P (0插)  
CP=Clip (夹板)  
FL=Flag (侧插)  
G=带盖  
Y=带壳  
V=带壳  
SA=双壳  
SM=双壳  
+带盖  
+带壳  
D=带弹片  
Current Rated 3A  
5A  
10A  
\*A Length (产品长度)  
\*F Foot Length (脚长)  
Colour 默认:Black  
W=White  
B5=Blue(2995C)  
G=Green  
O=Orange  
P=Purple  
Y=Yellow

GENERAL TOLERANCE		制图	
DIM	TOL	DRAWING	审核
X.X	±0.30	批准	CHECK
X.XX	±0.20	比例	SCALE
X.XXX	±0.10	投影	Projection
Angle	±3.0°		

深圳市华灿天禄电子有限公司  
ShenzhenhuacantianluELECTRONICS CO.,LTD

产品名称	TITLE	版本号	版本
TYPE CF 16P 垫高1.6 CH=3.18mm 脚长0.9 带弹 带柱			A
产品料号	PART NO.	单位	UNIT
HC-TYPE-C-16P-CH3.18-XA-X-02		页次 <td>1/2</td>	1/2
材料	MATERIAL	页次	SHEET

pcs/box	boxs/Carton	Pcs/Box
600	10	6000



			GENERAL TOLERANCE		制图 DRAWING		深圳市华灿天禄电子有限公司 ShenzhenhuacantianluELECTRONICS CO., LTD					
			DIM	TOL	审核 CHECK		产品名称 TITLE		TYPE CF 16P 垫高1.6 CH=3.18mm 脚长0.9 带弹 带柱-包装图		版本 REV.	A
			X.X	$\pm 0.30$	批准 APPROVAL		产品料号 PART NO.		HC-TYPE C-16P-CH3.18-XA-X-02		单位 UNITS	mm
			X.XX	$\pm 0.20$	比例 SCALE		材料 MATERIAL				页次 SHEET	2/2
			X.XXX	$\pm 0.10$	投影 Projection							
1	初版发行		Angle	$\pm 3.0^{\circ}$								
序号 No.	变更内容 MODIFY CONTENT	日期 MODIFY DATE										