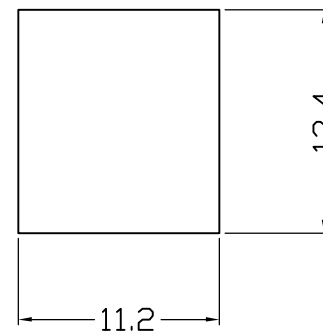
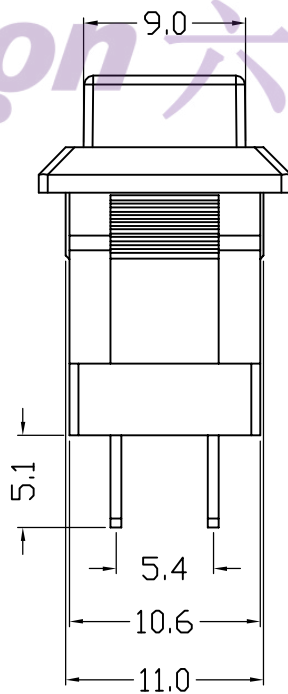
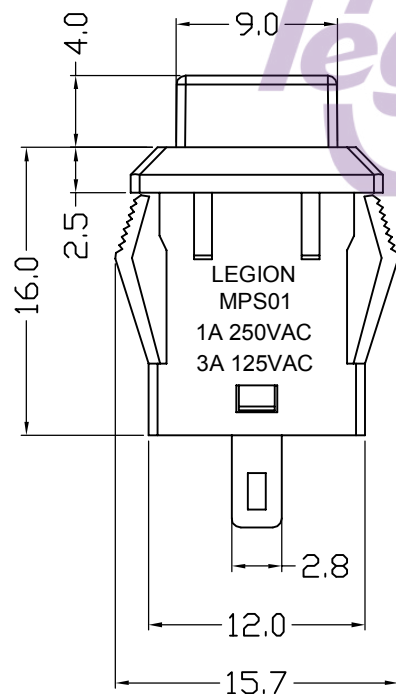
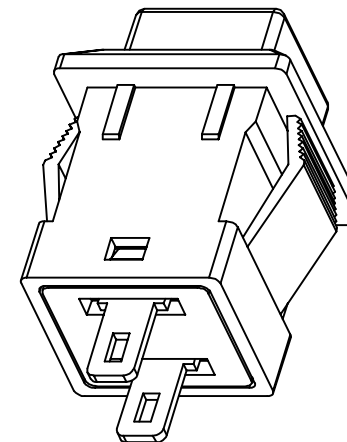


1. 电路 CIRCUIT:ON/OFF
2. 额定值 RATING:1.5A 250VAC 3A 125VAC
3. 接触电阻 CONTACT RESISTANCE: <math>< 50m\Omega</math>
4. 绝缘阻抗 INSULATION RESISTANCE: >100M Ω
(500VDC BETWEEN OPEN CONTACTS)
5. 耐电压 DIELECTRIC STRENGTH: >1500VAC 0.5mA 1 MINTUTE
6. 所有部件均使用环保材料
ALL MATERIALS USING MEET THE RoHS DIRECTIVE



PANEL HOLE SIZE



电话: 0769-82310511-867
邮箱: hooya89@hooya.hk

| | | | | | | | | | | | | | |
|----|-------------|----|-------------|------------------------|-----------|--|---------|--------|------------|-----------------|-------|-------------|------|
| 5 | → | 10 | → | DIMENSIONAL TOLERANCES | | APPROVED | CHECKED | DESIGN | DRAWN | ALL SIZE ARE IN | MM | | |
| 4 | → | 9 | → | RANGE | TOLERANCE | | | | GYW | SCALE | NO | | |
| 3 | → | 8 | → | X | ±0.30 | | | | 2022.02.21 | MAT'L | *** | | |
| 2 | → | 7 | → | X.X | ±0.20 | | | | | MATERIAL NO. | | DRAWING NO. | REV. |
| 1 | → | 6 | → | X.XX | ±0.10 | | | | | MPS01-BBCBA-A-R | ***** | | AO |
| NO | DESCRIPTION | NO | DESCRIPTION | ANGLES | ±1' | LEGION ELECTRONIC & HARDWARE CO., LTD. | | | | | | | |