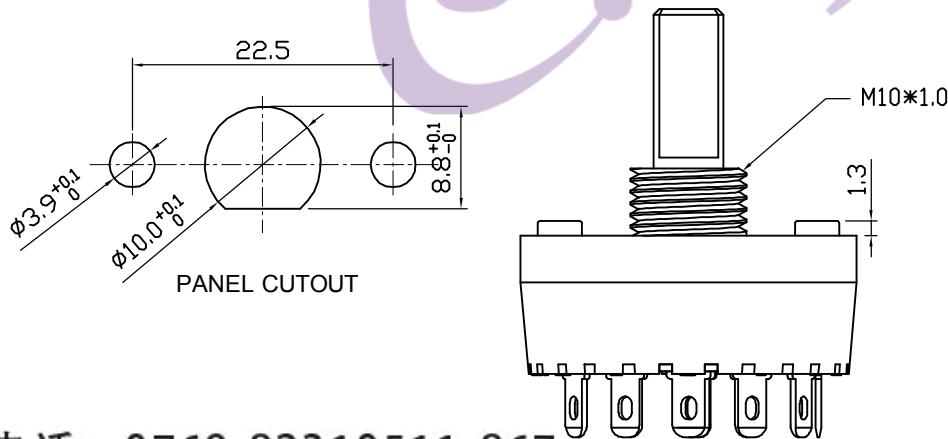
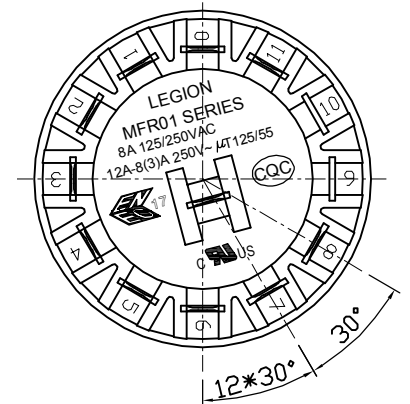
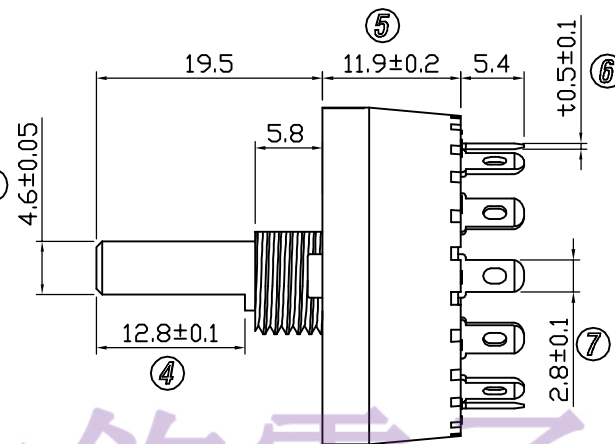
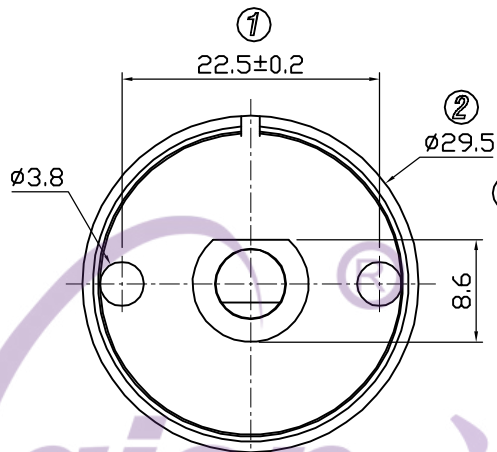


CIRCUIT DESCRIPTION



PANEL CUTOUT

1. 额定值 RATING: 8A 125/250VAC (UL, C-UL)
12A-8(3)A 250V~ μ T125/55 (ENEC-17, CQC, CB)
2. 功能 FUNCTIONAL: 见电路图 SEE CIRCUIT DESCRIPTION
带回弹功能 PLUS A MOMENTARY POSITION
3. 接触电阻 CONTACT RESISTANCE: <50mΩ
4. 绝缘电阻 INSULATION RESISTANCE: >100MΩ (500VDC BETWEEN OPEN CONTACTS)
5. 耐电压 DIELECTRIC STRENGTH: >1500VAC 0.5mA 1 MINUTE
6. "○"表示关键尺寸 DENOTES CRITICAL DIMENSIONS

电话: 0769-82310511-867

邮箱: hooya89@hooya.hk

NO	DESCRIPTION	NO	DESCRIPTION	DIMENSIONAL TOLERANCES		APPROVED	CHECKED	DESIGN	DRAWN	ALL SIZE ARE IN		DRAWING NO. REV.	
				RANGE	TOLERANCE					MM	NO	MATERIAL NO.	
5	→	10	→										
4	→	9	→										
3	→	8	→	X	±0.30				LMC				
2	→	7	→	X.X	±0.20				2019.04.03				
1	→	6	→	X.XX	±0.10								
				ANGLES	±1°	LEGION ELECTRONIC & HARDWARE CO., LTD.							

