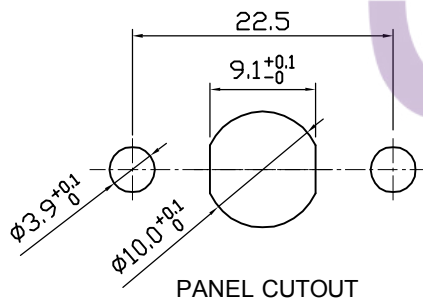
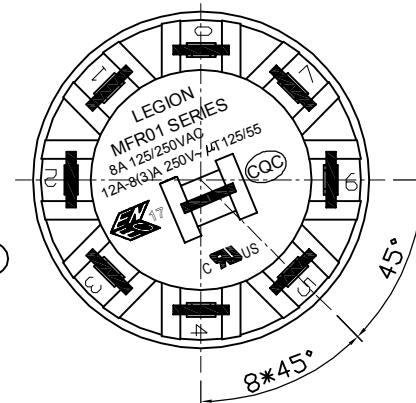
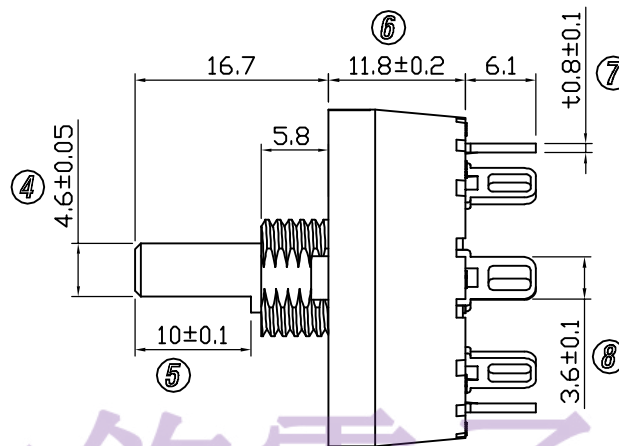
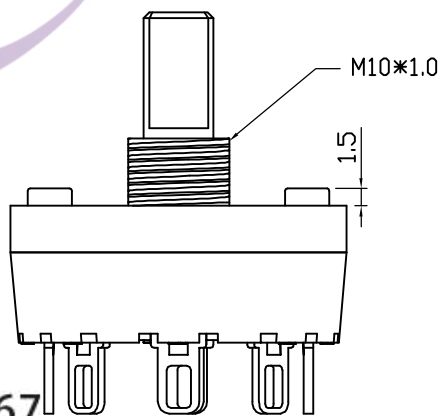


CIRCUIT DESCRIPTION



PANEL CUTOUT



1. 额定值 RATING: 8A 125/250VAC (UL, C-UL)
12A-8(3)A 250V~ μ T125/55 (ENEC-17, CQC, CB)
2. 功能 FUNCTIONAL: 见电路图 SEE CIRCUIT DESCRIPTION
3. 接触电阻 CONTACT RESISTANCE: <50mΩ
4. 绝缘电阻 INSULATION RESISTANCE: >100MΩ (500VDC BETWEEN OPEN CONTACTS)
5. 耐电压 DIELECTRIC STRENGTH: >1500VAC 0.5mA 1 MINUTE
6. "○"表示关键尺寸 DENOTES CRITICAL DIMENSIONS

电话: 0769-82310511-867
邮箱: hooya89@hooya.hk

NO	DESCRIPTION	NO	DESCRIPTION	ANGLES	TOLERANCE	APPROVED	CHECKED	DESIGN	DRAWN	ALL SIZE ARE IN	MM	DRAWING NO. REV.	
5	→	10	→							SCALE	NO		
4	→	9	→							MAT'L	***		
3	→	8	→	X	±0.30				LMC				
2	→	7	→	X.X	±0.20				2019.04.03				
1	→	6	→	X.XX	±0.10								
				±1'		LEGION ELECTRONIC & HARDWARE CO., LTD.				MFR01-A5F00L14BS-R		*****	A

4

3

2

1