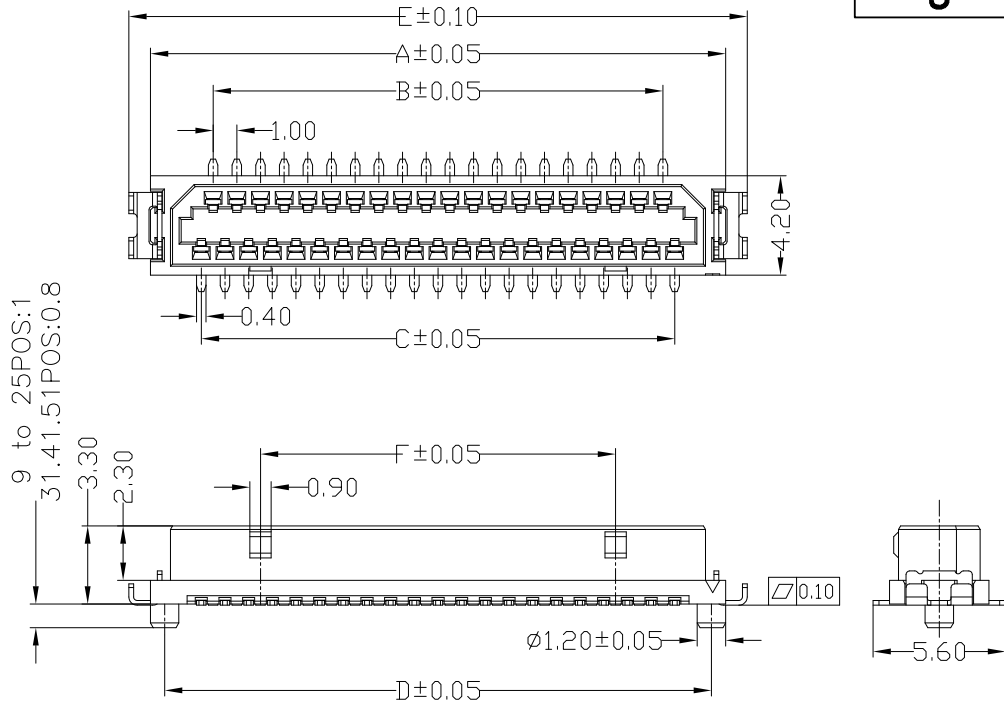


Engineer Drawing



Note:

Electrical

Current Rating:0.5A

Voltage Rating:150V AC

Contact Resistance:50mΩ max(Initial),75mΩ max(After)

Dielectric Withstanding Voltage:250VAC

Insulation Resistance 500mega ohms min. at 100 VDC

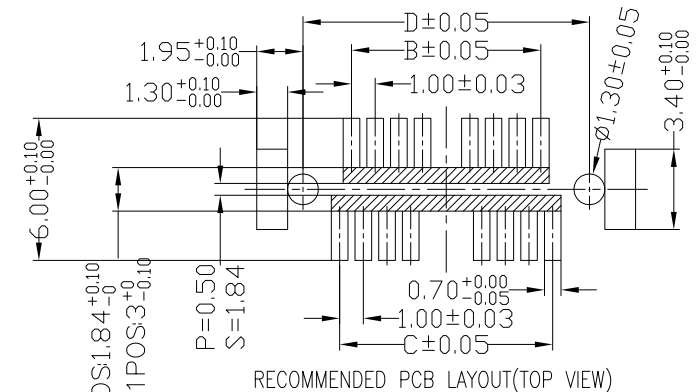
Physical

Housing:thermoplastic, UL 94V-0 rated,inWhite Color

Contact: Copper alloy

Operating Temperature:-45°C to +125°C

9 to 25POS:1
31.41.51POS:0.8



RECOMMENDED PCB LAYOUT(TOP VIEW)

Note 1: If the pattern is included in the shaded area and not treated with resist, it could touch the connector contact .

Note 2 : Please refer to each product size pattern for the universal size on the above patterns (A, B, C, D...).

	A	B	C	D	E	F
9 PIN	8.3	3	4	7.1	10.1	0
11 PIN	9.3	4	5	8.1	11.1	0
13 PIN	10.3	5	6	9.1	12.1	0
15 PIN	11.3	6	7	10.1	13.1	0
17 PIN	12.3	7	8	11.1	14.1	0
19 PIN	13.3	8	9	12.1	15.1	0
21 PIN	14.3	9	10	13.1	16.1	5
23 PIN	15.3	10	11	14.1	17.1	6
25 PIN	16.3	11	12	15.1	18.1	7
31 PIN	19.3	14	15	18.1	21.1	10
41 PIN	24.3	19	20	23.1	26.1	15
51 PIN	29.3	24	25	28.1	31.1	20

IPCB10331 * ** * * *

- ① Series Type
- ② Type
- ③ Pin code.
- ④ Serial code
- ⑤ Company code.
- ⑥ Serial code

TOLERANCE			www. i-ncp. com	
	PART NO. IPCB10331F xx		TITLE: 1.0mm Borad to Borad H=3.3mm	
	DRAWING NO. IPCB10331F		Female	
UNLESS OTHERWISE SPECIFIED		SHEET 1 OF 1	UNITS mm	SCALE 1:1 REV. 01