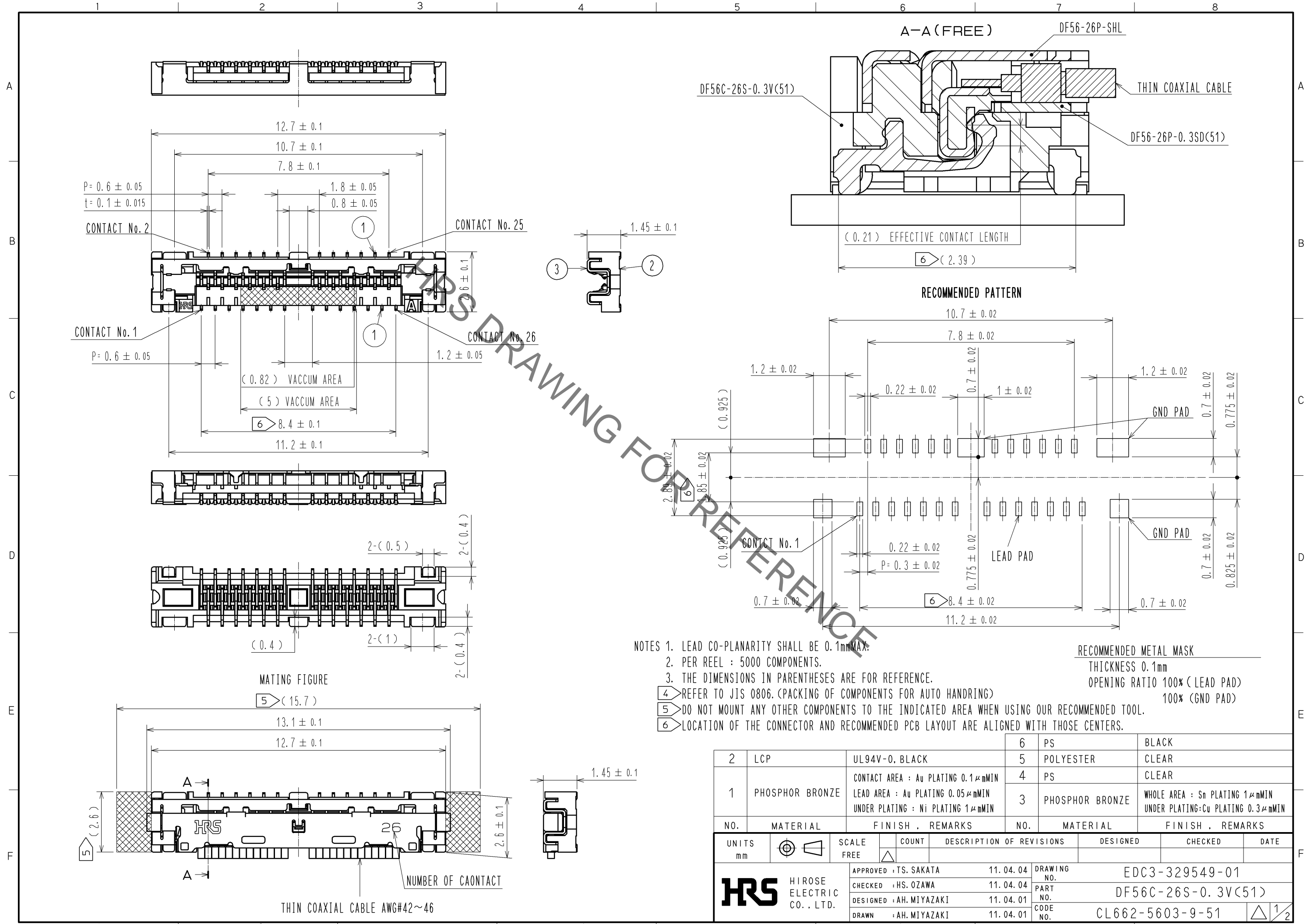


Jan.1.2022 Copyright 2022 HIROSE ELECTRIC CO., LTD. All Rights Reserved.
 In case of consideration for using Automotive equipment / device which demand high reliability, kindly contact our sales window correspondents.



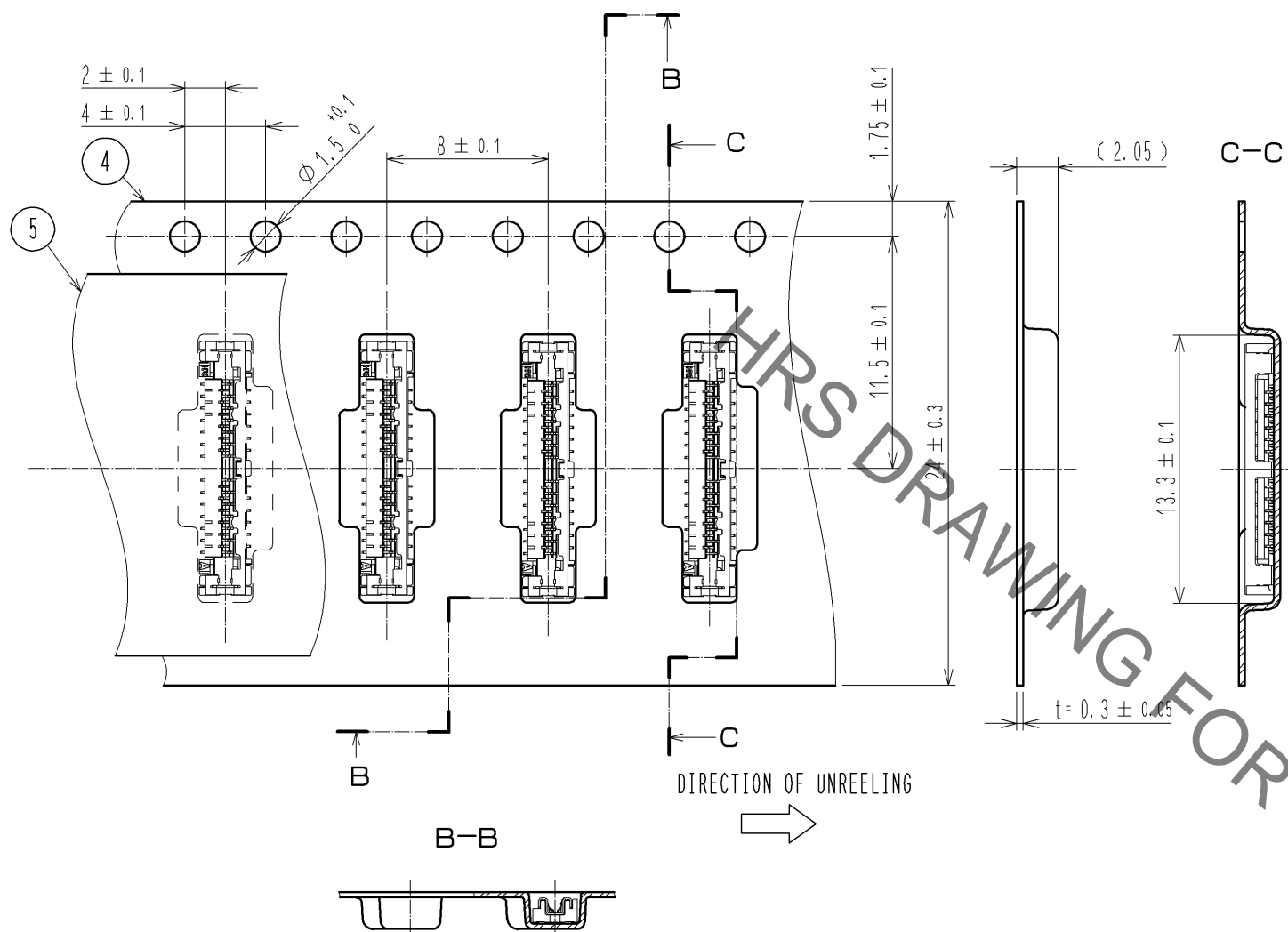
- NOTES
1. LEAD CO-PLANARITY SHALL BE 0.1mmMAX.
 2. PER REEL : 5000 COMPONENTS.
 3. THE DIMENSIONS IN PARENTHESES ARE FOR REFERENCE.
 4. REFER TO JIS 0806. (PACKING OF COMPONENTS FOR AUTO HANDRING)
 5. DO NOT MOUNT ANY OTHER COMPONENTS TO THE INDICATED AREA WHEN USING OUR RECOMMENDED TOOL.
 6. LOCATION OF THE CONNECTOR AND RECOMMENDED PCB LAYOUT ARE ALIGNED WITH THOSE CENTERS.

RECOMMENDED METAL MASK
 THICKNESS 0.1mm
 OPENING RATIO 100% (LEAD PAD)
 100% (GND PAD)

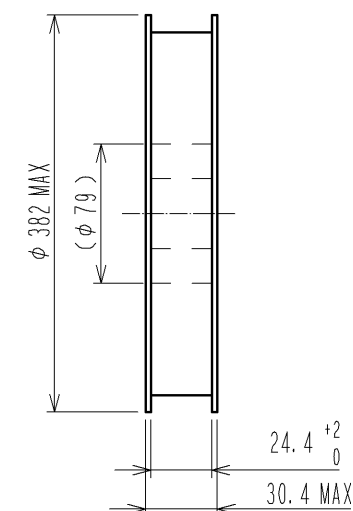
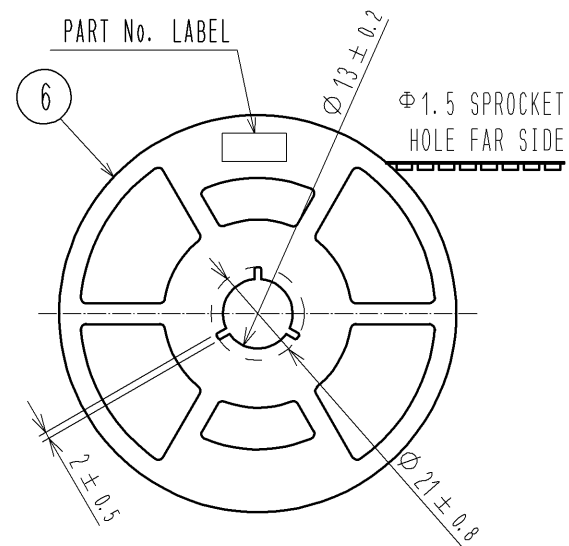
2	LCP	UL94V-0. BLACK	6	PS	BLACK
1	PHOSPHOR BRONZE	CONTACT AREA : Au PLATING 0.1μmMIN LEAD AREA : Au PLATING 0.05μmMIN UNDER PLATING : Ni PLATING 1μmMIN	5	POLYESTER	CLEAR
			4	PS	CLEAR
			3	PHOSPHOR BRONZE	WHOLE AREA : Sn PLATING 1μmMIN UNDER PLATING:Cu PLATING 0.3μmMIN
NO.	MATERIAL	FINISH . REMARKS	NO.	MATERIAL	FINISH . REMARKS

UNITS mm		SCALE FREE	COUNT △	DESCRIPTION OF REVISIONS	DESIGNED	CHECKED	DATE
APPROVED : TS. SAKATA				11. 04. 04	DRAWING NO. EDC3-329549-01		
CHECKED : HS. OZAWA				11. 04. 04	PART NO. DF56C-26S-0. 3V(51)		
DESIGNED : AH. MIYAZAKI				11. 04. 01	CODE NO. CL662-5603-9-51		
DRAWN : AH. MIYAZAKI				11. 04. 01	1/2		

Jan.1.2022 Copyright 2022 HIROSE ELECTRIC CO., LTD. All Rights Reserved.
 In case of consideration for using Automotive equipment / device which demand high reliability, kindly contact our sales window correspondents.



4 STYLE AND DIMENSION OF REEL(FREE)



DETAIL OF PART No. LABEL

生産月日	年月日
図番	CL662-5603-9-51
品名	DF56C-26S-0.3V(51)
納入数量	5000個
納入者	ヒロセ電機株式会社

SUPPLIER

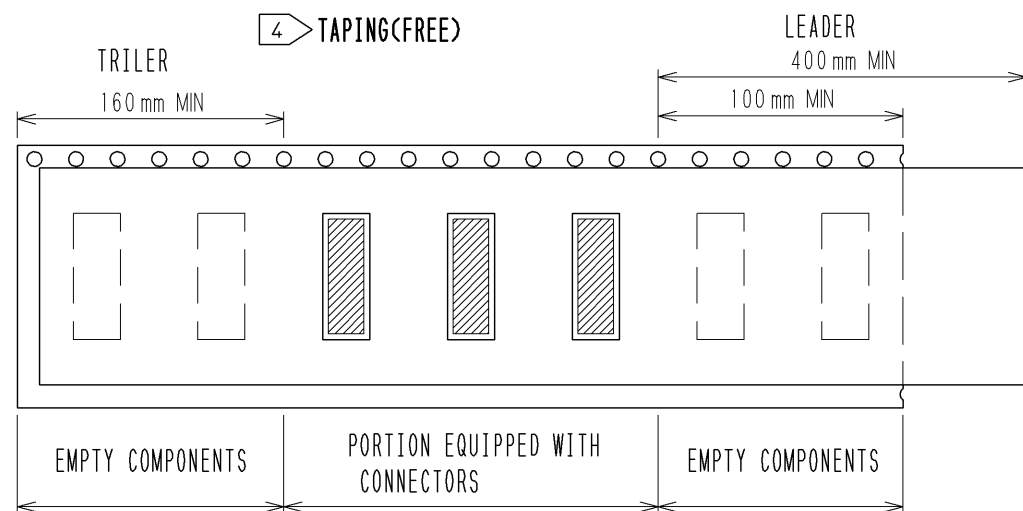
QUANTITY

PART No.

CODE No.

DATE OF MANUFACTURED

4 TAPING(FREE)



HRS

図番:	EDC3-329549-01
製品名:	DF56C-26S-0.3V(51)
製品コード:	CL662-5603-9-51

△ 2/2