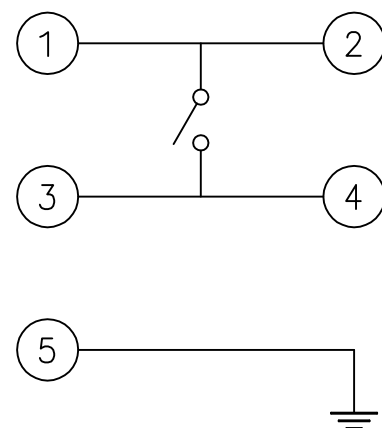
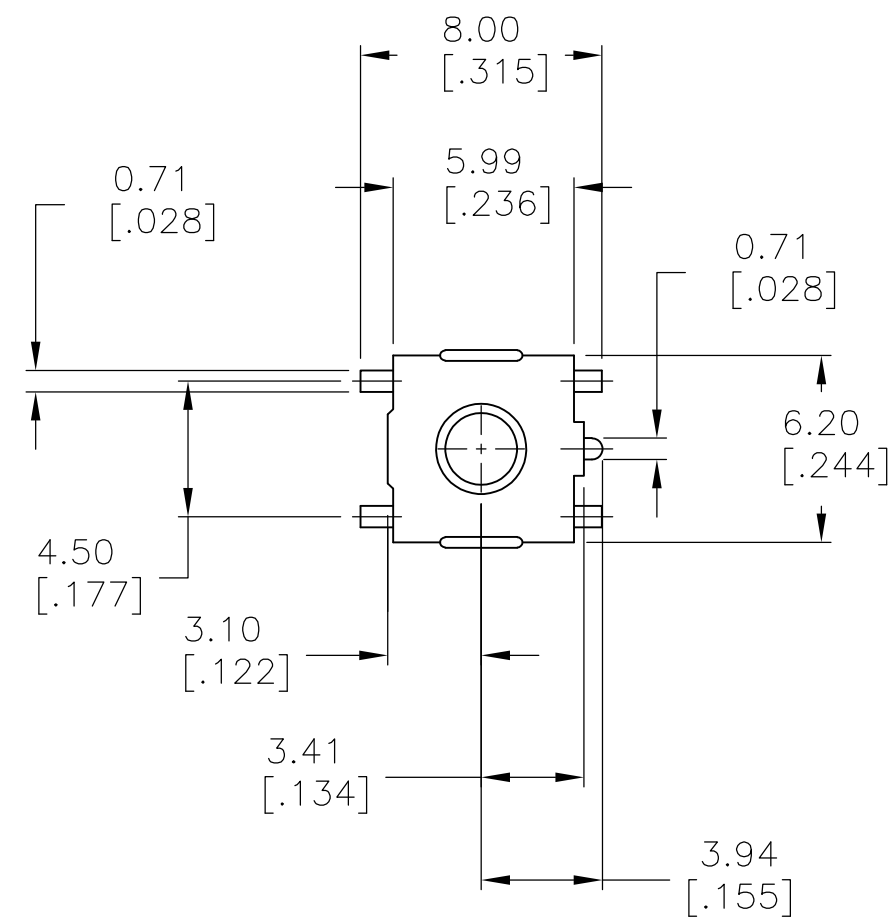


THIS DRAWING IS UNPUBLISHED. RELEASED FOR PUBLICATION  
 © COPYRIGHT - By - ALL RIGHTS RESERVED.

LOC		DIST		REVISIONS			
P	LTR	DESCRIPTION		DATE	DWN	APVD	
AD	00	E		REVISED PER ECO-15-016664	23NOV2015	NK	RH



CIRCUIT DIAGRAM

SPECIFICATIONS:

CASE: PPS, 94V0, BLACK.  
 COVER: COPPER ALLOY-TIN PLATE.  
 ACTUATOR BUTTON: SEE TABLE, COLOR: SEE TABLE.  
 MOVING CONTACT: COPPER ALLOY, SILVER FINISH.  
 FIXED CONTACT/TERMINAL: COPPER ALLOY, SILVER FINISH.

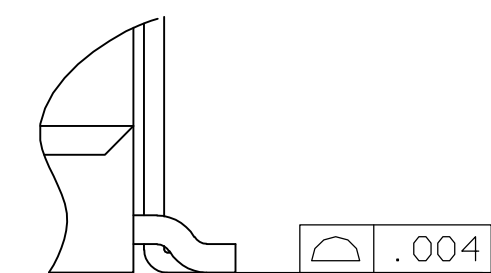
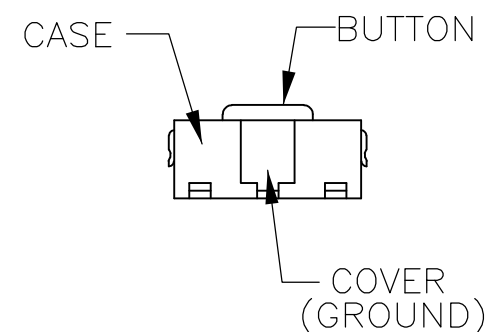
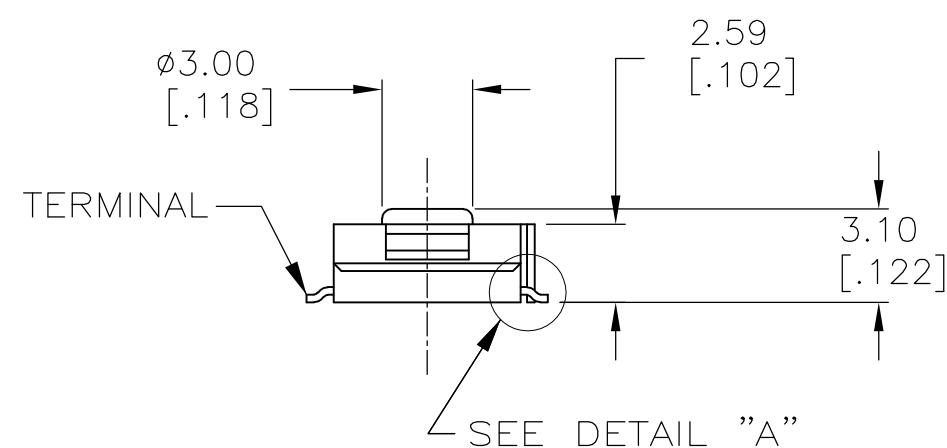
ELECTRICAL:  
 MAX CONTACT RATING: 50MILLIAMPS@24V DC  
 MIN CONTACT RATING: 10MICROAMPS@1V DC  
 CONTACT RESISTANCE: 100 MILLIOHMS MAX.  
 INSULATION RESISTANCE: 100 MEGOHMS MIN. @ 100 VDC.  
 DIELECTRIC STRENGTH: 500 VAC 50/60 HZ FOR 1 MINUTE  
 LIFE EXPECTANCY: 100,000 CYCLES.

MECHANICAL:  
 ACTUATION FORCE: SEE CHART.  
 ACTUATION TRAVEL: 0.25 +0.20/-0.10 [.010 +.008/-0.004]

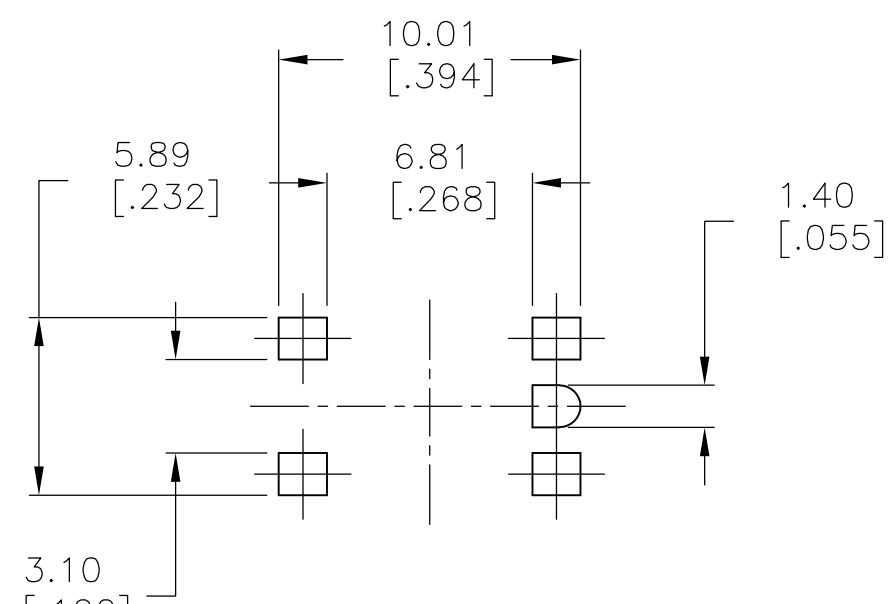
ENVIRONMENTAL:  
 OPERATING TEMPERATURE: -35°C TO +85°C  
 STORAGE TEMPERATURE: -35°C TO +85°C  
 SOLDER HEAT RESISTANCE PER 109-201, COND B.

SOLDERABILITY:  
 SPECIFICATION EIA-364-52, CLASS 1, CATEGORY 2

- ALL MATERIALS AND FINISHES SHALL COMPLY WITH EU DIRECTIVE 2002/95/EC OF 27JAN2003 (ROHS)
- TAPE AND REEL PACKAGING PER EIA-481



DETAIL "A"  
 SCALE 15:1



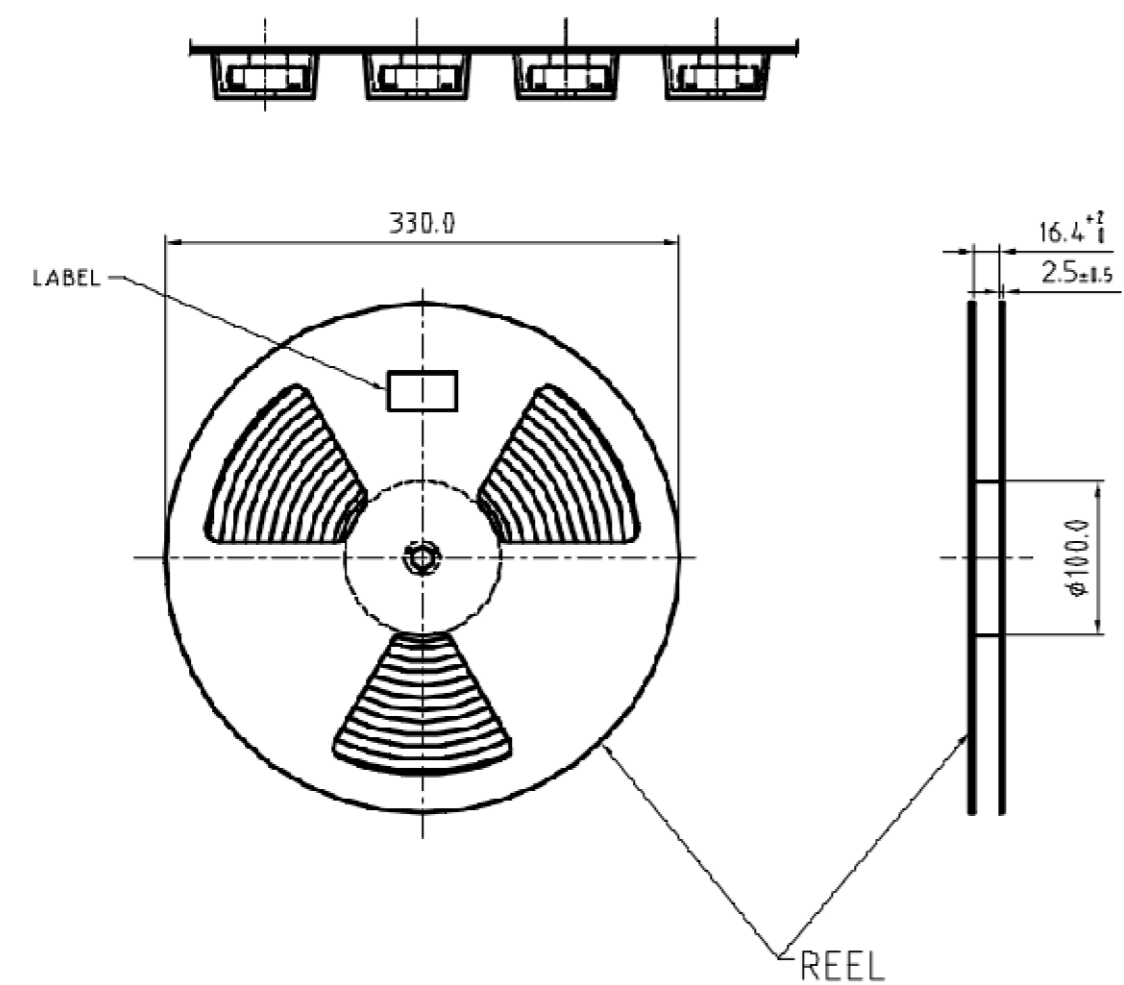
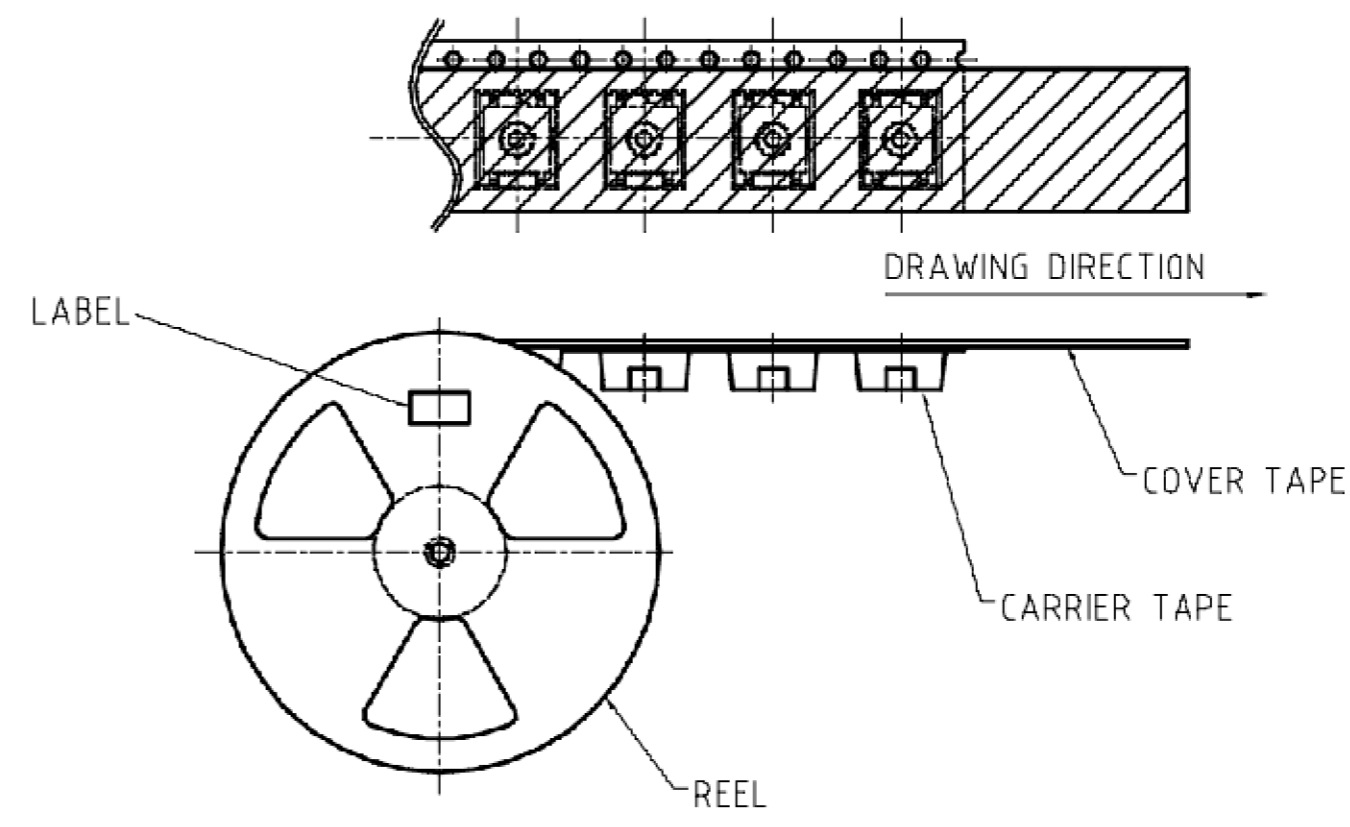
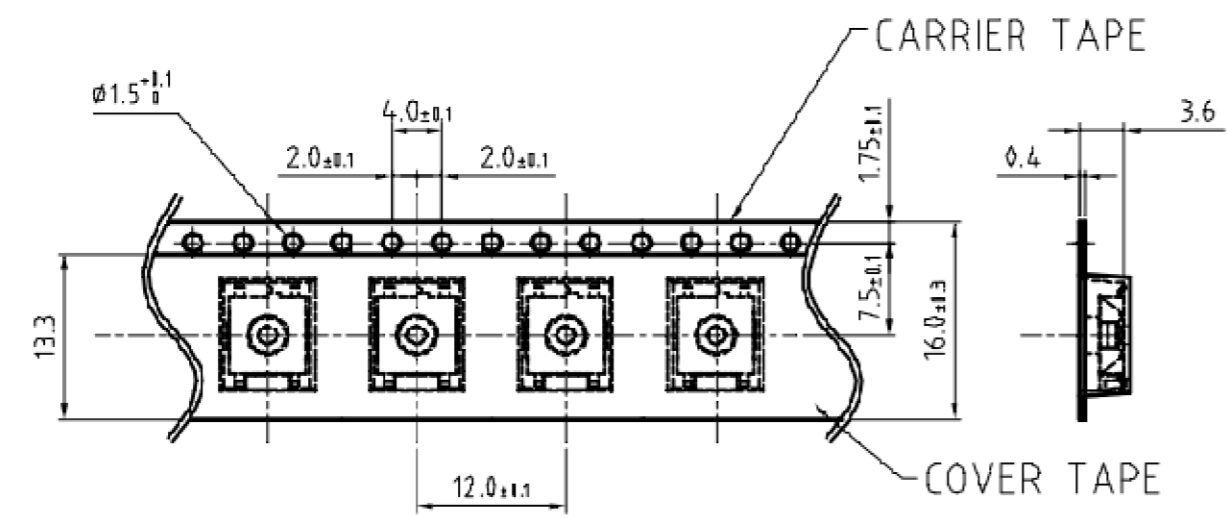
P.C.B. FOOTPRINT

PART NUMBER	PART NUMBER	ACTUATOR MATERIAL	ACTUATOR BUTTON COLOR	ACTUATION FORCE	PACKAGING
1-1437565-6	FSM1LP	PPA UL94HB	BLACK	160±50 gm.	BULK
1-1437565-9	FSM1LPTR	PPA UL94HB	BLACK	160±50 gm.	TAPE & REEL
1-1437565-7	FSM1LPA	PPS UL94V-0	BROWN	260±50 gm.	BULK
1-1437565-8	FSM1LPATR	PPS UL94V-0	BROWN	260±50 gm.	TAPE & REEL

THIS DRAWING IS A CONTROLLED DOCUMENT.		DWN M. BINNER 13MAR2007	<b>STE</b> TE Connectivity	
DIMENSIONS: mm [INCHES]		CHK M. SARVER 20MAR2007		
TOLERANCES UNLESS OTHERWISE SPECIFIED:		APVD M. SARVER 20MAR2007	NAME TACTILE SWITCH FSM1LP	
0 PLC ± - 1 PLC ± - 2 PLC ± 0.30[.012] 3 PLC ± - 4 PLC ± - ANGLES ± -		PRODUCT SPEC -	RESTRICTED TO	
MATERIAL -		FINISH -	WEIGHT -	SIZE A2
		CAGE CODE 00779		DRAWING NO 1-1437565-8
		CUSTOMER DRAWING		SCALE 4:1
		SHEET 1 of 2		REV E

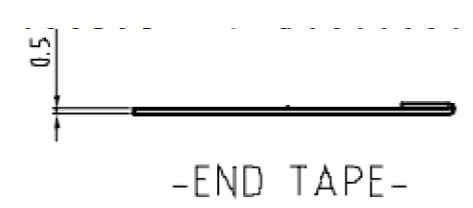
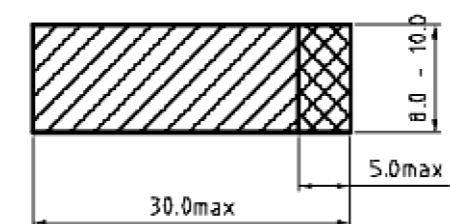
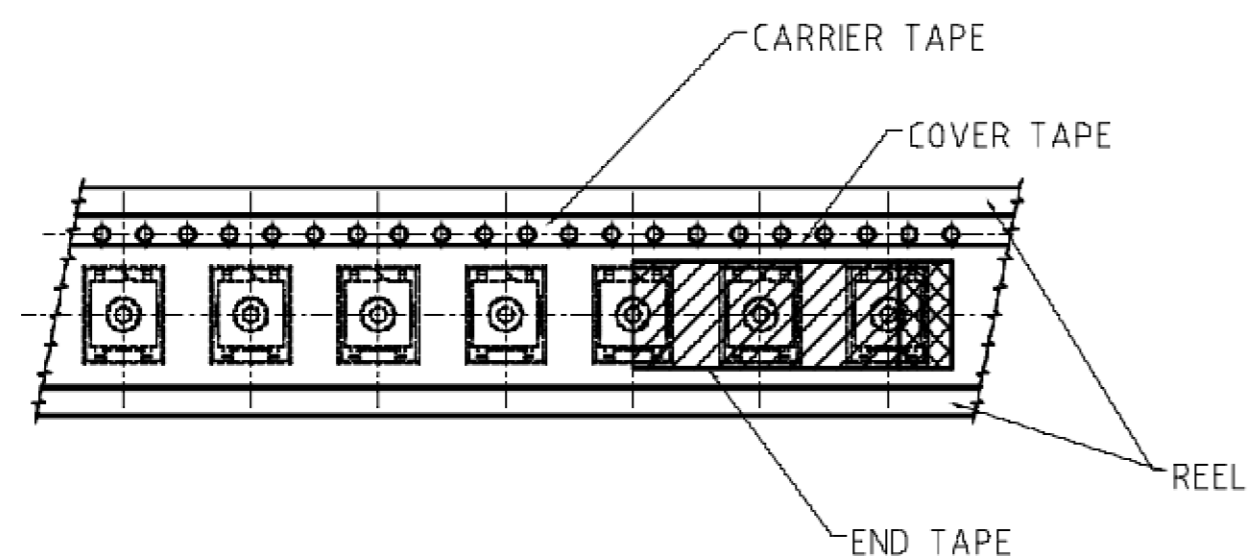
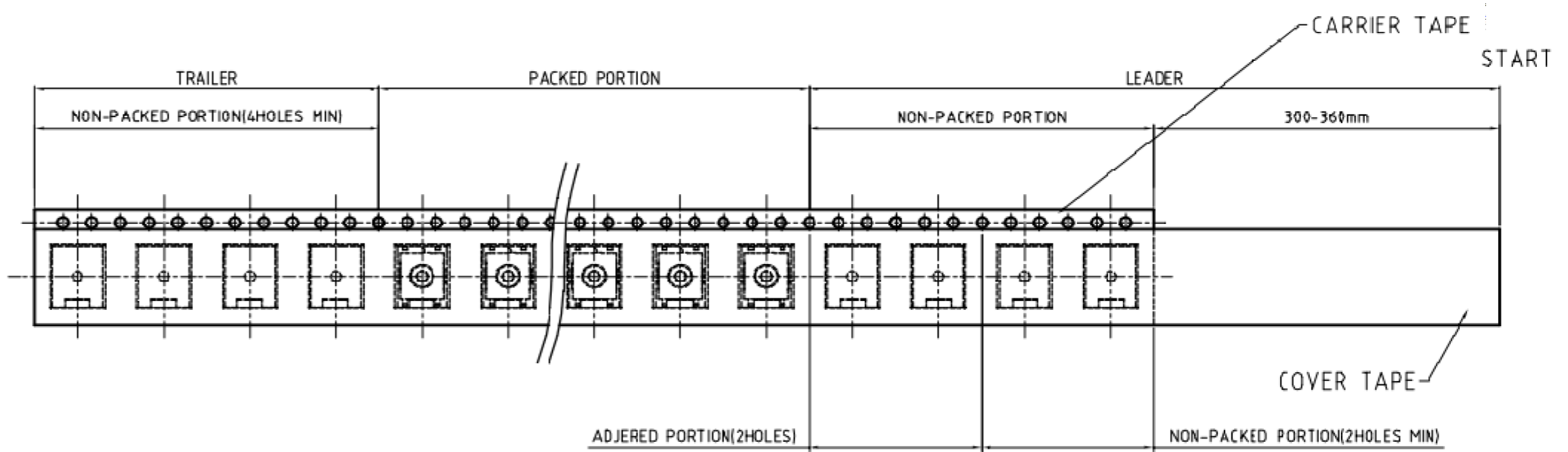
THIS DRAWING IS UNPUBLISHED. RELEASED FOR PUBLICATION  
 © COPYRIGHT - By - ALL RIGHTS RESERVED.

LOC		DIST		REVISIONS			
P	LTR	DESCRIPTION	DATE	DWN	APVD		
AD	00	SEE SHEET 1	-	-	-		



-THE DIRECTION OF PILOT HOLES-

-THE DIMENSION OF CARRIER TAPE, COVER TAPE AND REEL-



-END TAPE-

THIS DRAWING IS A CONTROLLED DOCUMENT.		DWN M.BINNER 13MAR2007		
DIMENSIONS: mm [INCHES]		CHK M.SARVER 20MAR2007		
TOLERANCES UNLESS OTHERWISE SPECIFIED:		APVD M.SARVER 20MAR2007	NAME TACTILE SWITCH FSM1LP	
0 PLC ± -		PRODUCT SPEC	SIZE A2	
1 PLC ± -		APPLICATION SPEC	CAGE CODE 00779	
2 PLC ± 0.30[.012]			DRAWING NO 1-1437565-8	
3 PLC ± -			RESTRICTED TO	
4 PLC ± -			SCALE 4:1	
ANGLES ± -		WEIGHT -	SHEET 2 OF 2	
FINISH		CUSTOMER DRAWING	REV E	