

4

3

2

1

D

D

C

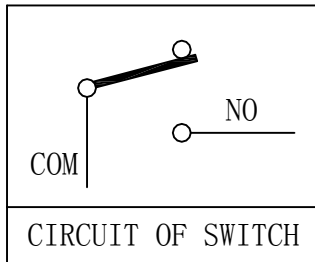
C

B

B

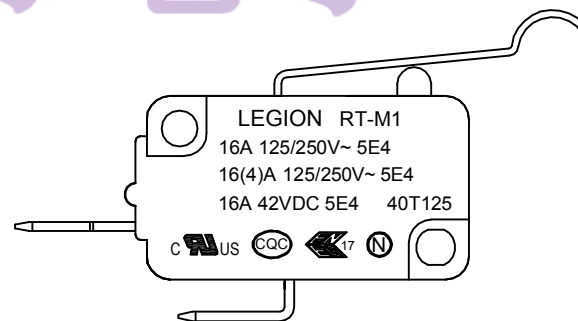
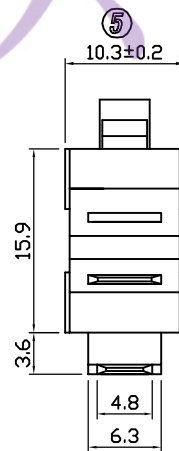
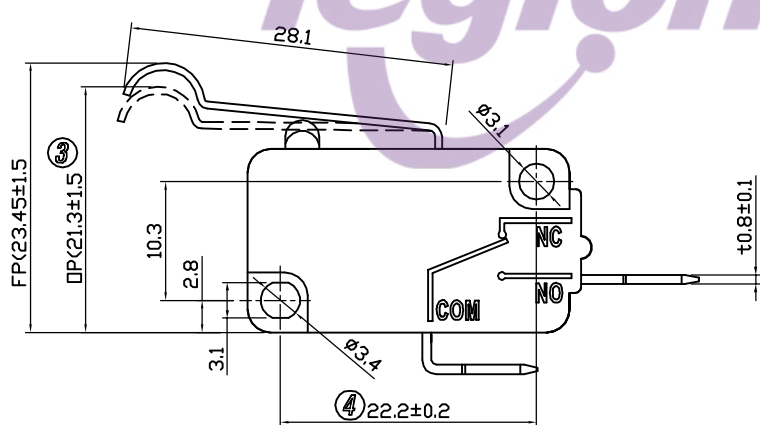
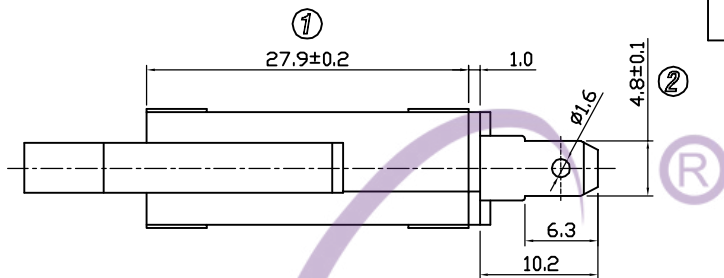
A

A



NOTES:

- 1. Rating : 16A GP 125/250VAC 5E4 40T125
16(4)A 125/250VAC 5E4 40T125
16A 42VDC 5E4 40T125
- 2. Contact resistance : 50mΩ Max
- 3. Insulation resistance : >100MΩ (Min) 500VDC
- 4. Dielectric strength : >1500VAC 0.5mA 1 minutes
- 5. Silver contact : Gold-plated
- 6. Low current range: 0~0.5A



电话：0769-82310511-867
 邮箱：hooya89@hooya.hk

⑤	→	⑩	→	DIMENSIONAL TOLERANCES		APPROVED	CHECKED	DESIGN	DRAWN	ALL SIZE ARE IN	MM			
④	→	⑨	→	RANGE	TOLERANCE				LMC	SCALE	NO			
③	→	⑧	→	X	±0.30				2021.02.26	MAT'L	***			
②	→	⑦	→	X.X	±0.20					MATERIAL NO.		DRAWING NO.	REV.	
①	→	⑥	→	X.XX	±0.10							RT-M1-10C5B16C050-B	WIF122027	AO
NO	DESCRIPTION	NO	DESCRIPTION	ANGLES	±1'	LEGION ELECTRONIC & HARDWARE CO., LTD.								

4

3

2

1