

4

3

2

1

D

D

C

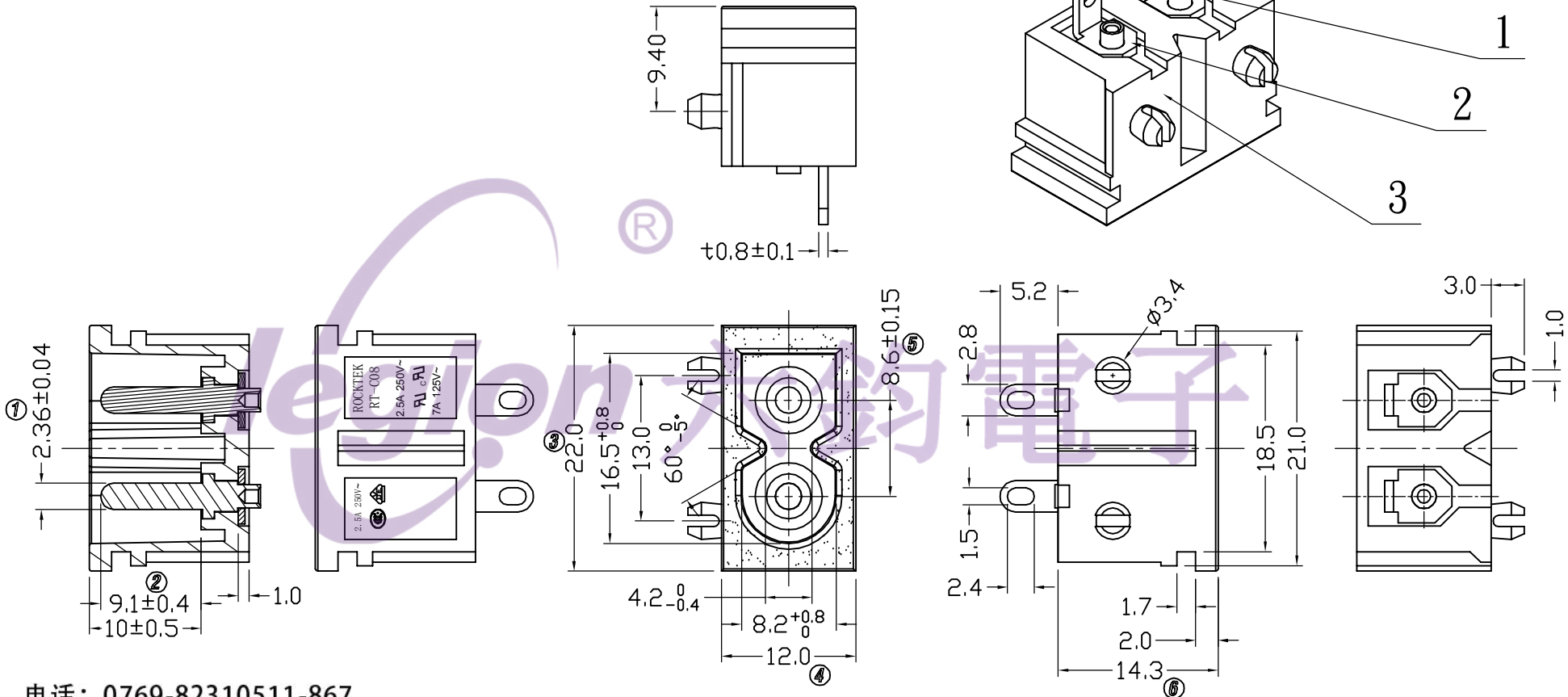
C

B

B

A

A



电话: 0769-82310511-867
 邮箱: hooya89@hooya.hk

NOTES:
 1. Rating : 2.5A 250VAC CCC VDE
 2.5A 250VAC UL CUL
 7A 125VAC UL CUL
 2. Contact resistance : 50mΩ Max
 3. Insulation resistance : >100MΩ (Min) 500VDC
 4. Dielectric strength : >2000VAC 0.5mA 1 minutes

品名	颜色
RT-C08-M2-BJ	Black
RT-C08-M2-WJ	White

3	BODY	PA66 UL94V-0	Black & White	1
2	1# terminal	C2680 1/2H	Tin-plating 3~5 μm	2
1	1# PIN	C3602	Ni-plating 3~5 μm	2
NO.	PART NAME	MATERIAL		Q'TY

5	→	10	→	DIMENSIONAL TOLERANCES		APPROVED	CHECKED	DESIGN	DRAWN	ALL SIZE ARE IN	MM	
4	→	9	→	RANGE	TOLERANCE				LMC	SCALE	NO	
3	→	8	→	X	±0.30				2020.11.14	MAT'L	***	
2	→	7	→	X.X	±0.20					MATERIAL NO.	DRAWING NO.	
1	→	6	→	X.XX	±0.10					RT-C08-M2-*J	*****	AO
NO	DESCRIPTION	NO	DESCRIPTION	ANGLES	±1'	LECION ELECTRONIC & HARDWARE CO., LTD.						

4

3

2

1