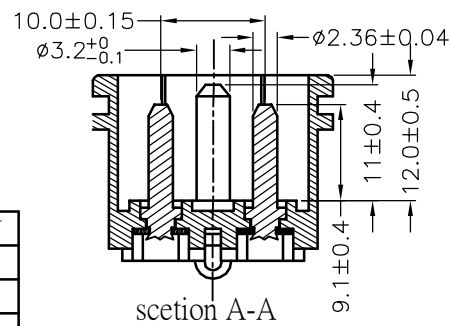
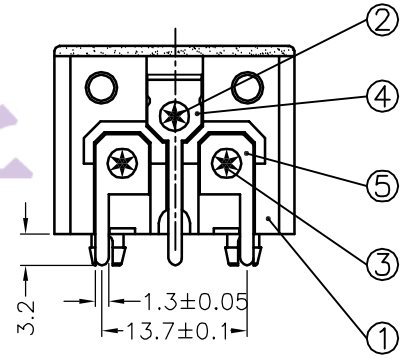
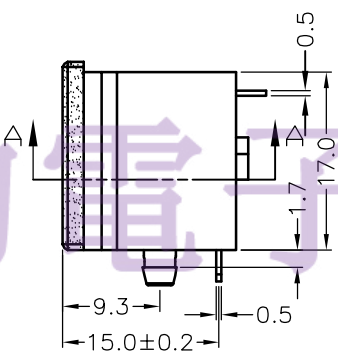
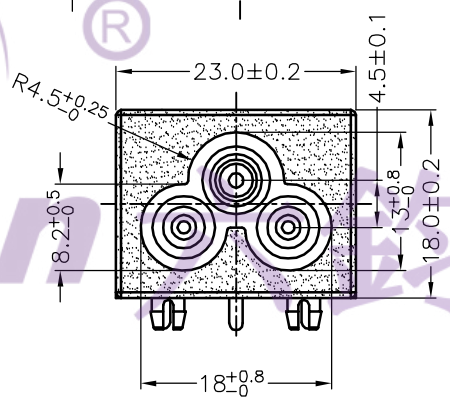
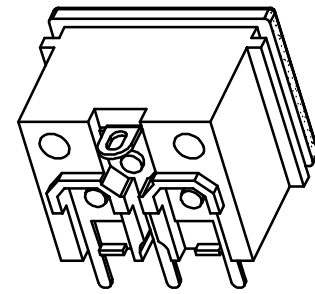
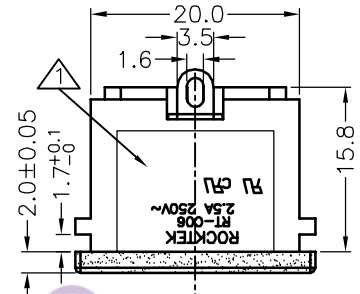
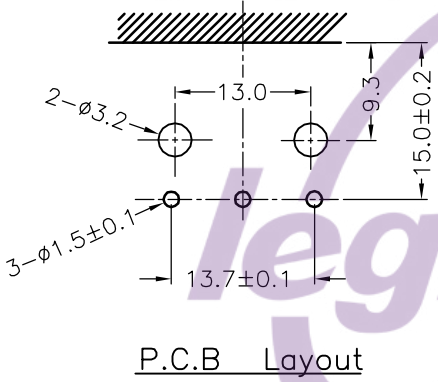


NOTES:

1. Rating : 2.5A 250VAC UL CUL
2. Contact resistance : 50mΩ Max
3. Insulation resistance : >100MΩ Min 500VDC
4. Dielectric strength : >2000VAC 0.5mA 1 minutes

电话: 0769-82310511-867
 邮箱: hooya89@hooya.hk



NO.	PART NAME	MATERIAL	Q'TY
5	2# terminal	C2680 1/2H t=0.5mm Tin-Plated	2
4	1# terminal	C2680 1/2H t=0.5mm Tin-Plated	1
3	2# PIN	C2680 1/2H d=φ2.36mm Ni-Plated	2
2	1# PIN	C2680 1/2H d=φ3.2mm Ni-Plated	1
1	BODY	PC Black	1

DIMENSIONAL TOLERANCES	APPROVED	CHECKED	DESIGN	DRAWN	ALL SIZE ARE IN		MM			
					SCALE	FIT	MAT'L	***		
5	→									
4	→									
3	→									
2	→									
1	取消北欧四国和3C安规	刘美昌	2011.04.11	X.XX	±0.1					
NO	DESCRIPTION	APPROVED	DATE	ANGLES	±1'	ROCK TEK ELECTRICAL(SHENZHEN) CO.,LTD.		MATERIAL NO.	DRAWING NO.	REV.
						2017.06.08		RT-C06-A1B-FC	*****	A1

