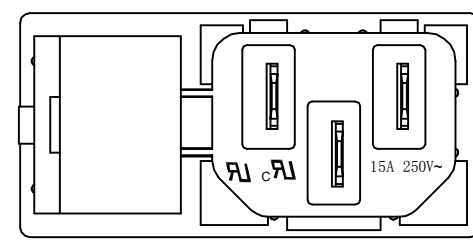
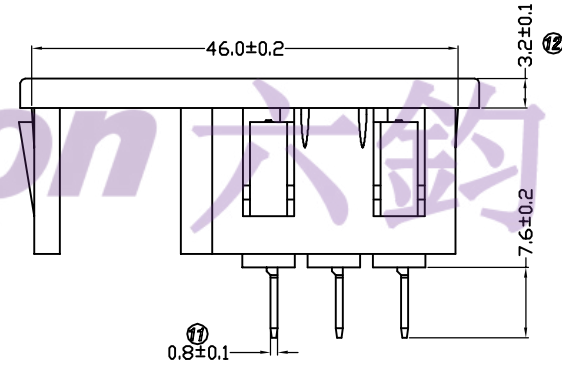
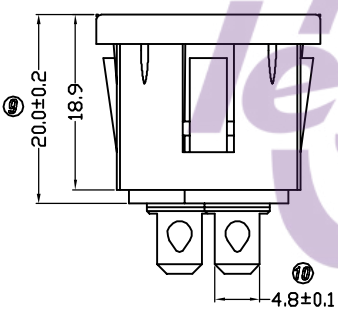
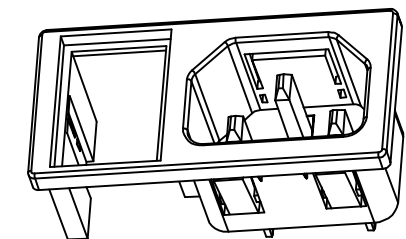
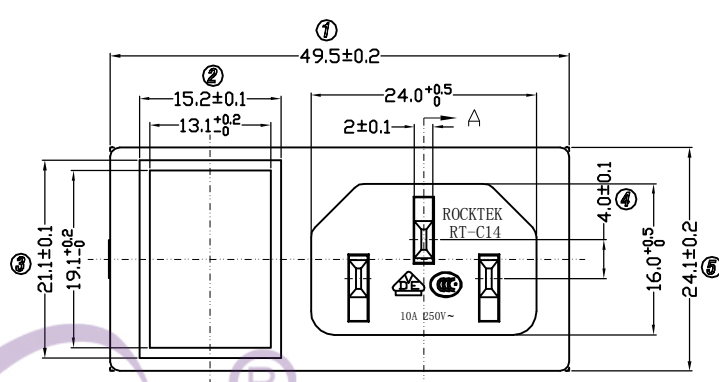


SECTION A-A



品名	面板厚度 X.X
RT-C14-E08B-AA	0.8mm
RT-C14-E10B-AA	1.0mm
RT-C14-E15B-AA	1.5mm
RT-C14-E20B-AA	2.0mm
RT-C14-E30B-AA	3.0mm

电话: 0769-82310511-867
 邮箱: hooya89@hooya.hk

NOTES:
 1."○"Denotes critical dimensions
 1.Rating : 10A 250VAC VDE CCC
 15A 250VAC UL CUL
 2.Insulation resistance : >100MΩ (Min) 500VDC
 3.Dielectric strength : >2000VAC 0.5mA 1 minute

3	BODY	PA66 94-V0 Black	1
2	1# terminal	C2680 1/2H Tin-plating 3~5 μm	2
1	1# PIN	C3602 Ni-plating 3~5 μm	1
NO.	PART NAME	MATERIAL	Q'TY

NO	DESCRIPTION	NO	DESCRIPTION	DIMENSIONAL TOLERANCES		APPROVED	CHECKED	DESIGN	DRAWN	ALL SIZE ARE IN		DRAWING NO.	REV.
				RANGE	TOLERANCE					MM	NO		
5		10		X	±0.30				LMC				
4		9		X.X	±0.20				2019.04.03				
3		8		X.XX	±0.10								
2		7		ANGLES	±1'								
1		6											
NO	DESCRIPTION	NO	DESCRIPTION	ANGLES	±1'	LEGIION ELECTRONIC & HARDWARE CO., LTD.					RT-C14-E*B-AA	WIF119016	A

4

3

2

1