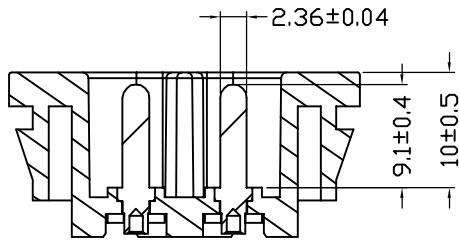
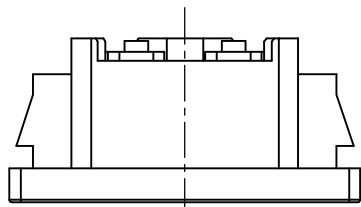


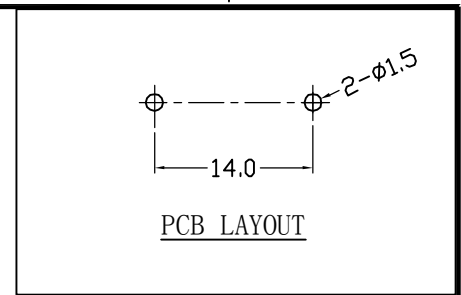
4 3 2 1

D

D



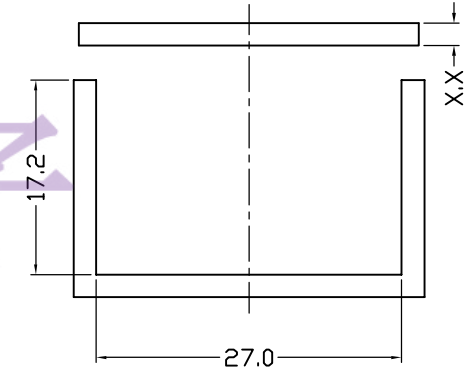
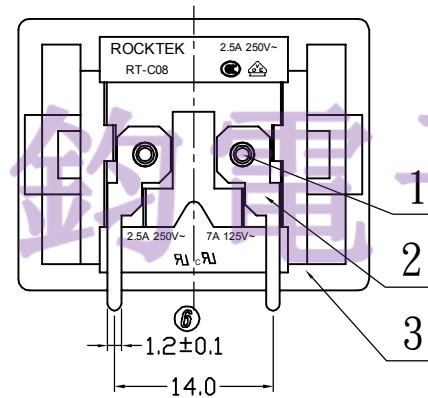
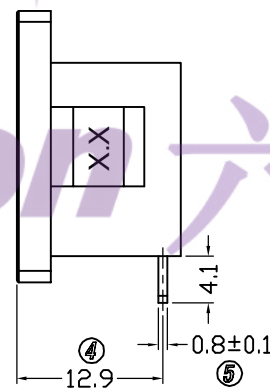
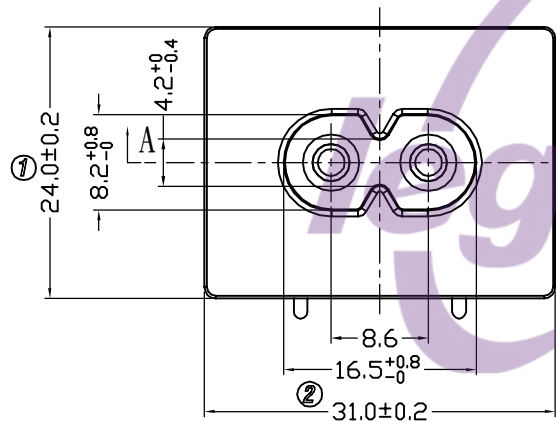
SECTION A-A



PCB LAYOUT

C

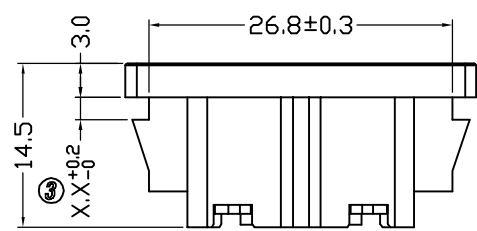
C



PCB CUT-OUT

B

B



| 品名 | X.X |
|---------------|-------|
| RT-C08-N08-BO | 0.8mm |
| RT-C08-N10-BO | 1.0mm |
| RT-C08-N15-BO | 1.5mm |
| RT-C08-N20-BO | 2.0mm |

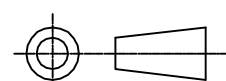
电话: 0769-82310511-867
 邮箱: hooya89@hooya.hk

NOTES:
 1. Rating: 2.5A 250VAC (CCC; VDE)
 2.5A 250VAC 7A 125VAC (UL;CUL)
 2. Contact resistance: 50mΩ Max
 3. Insulation resistance: >100MΩ (Min) 500VDC
 4. Dielectric strength: >2000VAC 0.5mA 1 minutes

| NO. | PART NAME | MATERIAL | Q'TY |
|-----|-------------|------------------------|------|
| 3 | BODY | PA66 UL94V-0 Black | 1 |
| 2 | 1# terminal | C2680 1/2H Tin-plating | 2 |
| 1 | 1# PIN | C3602 Ni-plating | 2 |

A

A

| NO | DESCRIPTION | NO | DESCRIPTION | ANGLES | DIMENSIONAL TOLERANCES | APPROVED | CHECKED | DESIGN | DRAWN | ALL SIZE ARE IN | MM |  | |
|----|-------------|----|-------------|--------|------------------------|---|---------|--------|-------------------|-----------------|-----------|---|-------------|
| 5 | | 10 | | | RANGE | | | | LMC 2022.03.01 | SCALE | NO | | |
| 4 | | 9 | | | TOLERANCE | | | | | MAT'L | *** | | |
| 3 | | 8 | | X | ±0.30 | | | | | MATERIAL NO. | | | DRAWING NO. |
| 2 | | 7 | | X.X | ±0.20 | | | | | RT-C08-N**-BO | WIF122033 | AO | |
| 1 | | 6 | | X.XX | ±0.10 | | | | | | | | |
| NO | DESCRIPTION | NO | DESCRIPTION | ANGLES | ±1' | LECIION ELECTRONIC & HARDWARE CO., LTD. | | | | | | | |

4 3 2 1