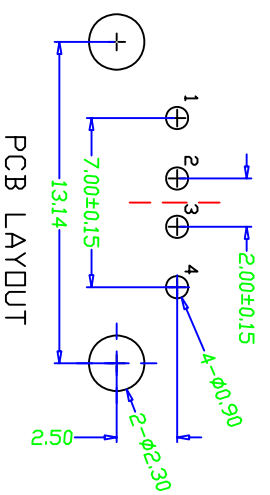
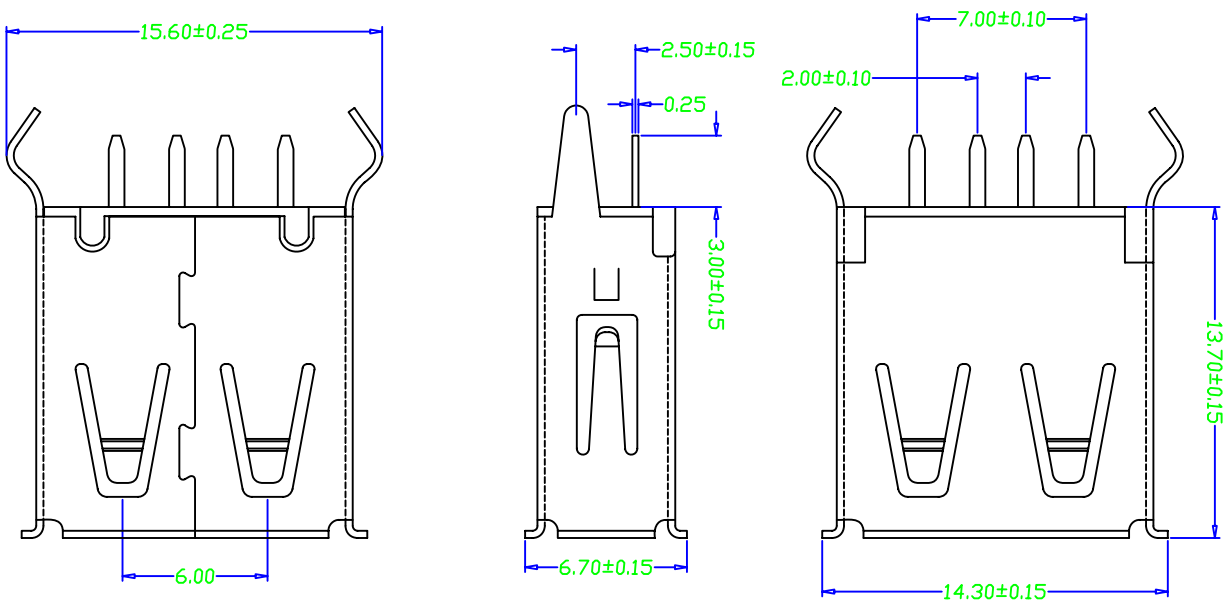


MAPX	MODIFICATION	DATE
------	--------------	------

NOTES:
 1. HOUSING: SEE NOTES, UJ94V-0.
 TERMINAL: SEE NOTES.
 SHELL: SEE NOTES.

SPECIFICATION:
 1. ELECTRICAL CHARACTERISTIC:
 CONTACT RESISTANCE: 30MΩ MAX
 DIELECTRIC WITHSTANDING VOLTAGE: 500V AC FOR 1MIN
 INSULATION RESISTANCE: 1000MΩ MIN
 2. MECHANICAL CHARACTERISTIC:
 INSERTION FORCE: 35N(3.57KGF) MAX
 EXTRACTON FORCE: 10~35N(1.02~3.57KGF)MIN
 DURABILITY: 1500 CYCLES EXTRACTON FORCE:10~35N
 5000 CYCLES MIN
 5000 CYCLES EXTRACTON FORCE:3~35N

3. ENVIRONMENTAL:
 OPERATING TEMPERATURE: -55°C+85°C
 4. Contact finish:
 01:Selective Gold Flash
 02:Selective Gold 3U"
 03:Selective Gold 5U"
 04:Selective Gold 15U"
 05:Selective Gold 30U"



产品图
PRODUCT CHART DWG

深圳市精拓金电子有限公司

公差一览表		单位		制图		制料号	
TOLERANCE UNLESS OTHERWISE	UNITS	MM	Z-Y-B	DRAWING	PRODUCT PART NO.	916-152A1023Y10200	
X. ±0.25	X.	±5°	审核	郭治富	产品名称	AF13.7弯脚180度有边铜壳PBT黑胶	
X. ±0.20	X.	±2°	CHKD		PRODUCT NO.		
XX ±0.15	XX	±1°	批准	黄国荣	角法		版本
XXX ±0.10	XXX	±0.5°	APRD		VIEW		VER
			日期	2014.07.24			AD