

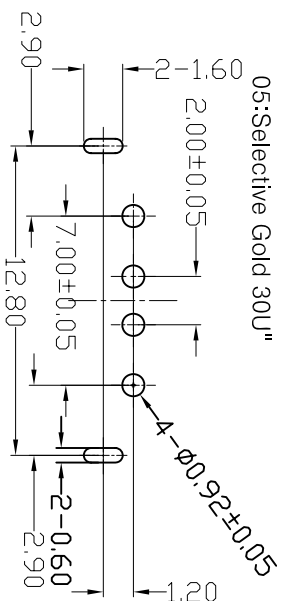
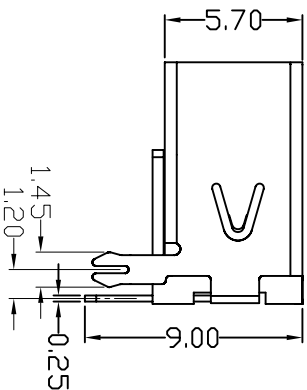
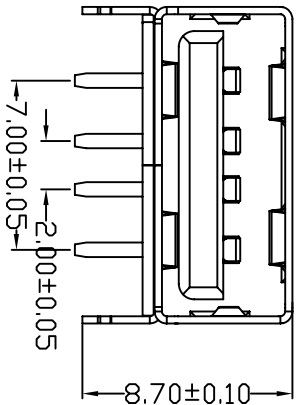
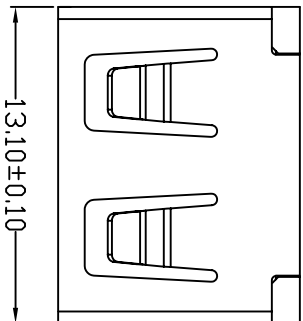
D款, 反向10.0后两脚, DIP-*6.20

MAPX	MODIFICATION	DATE
------	--------------	------

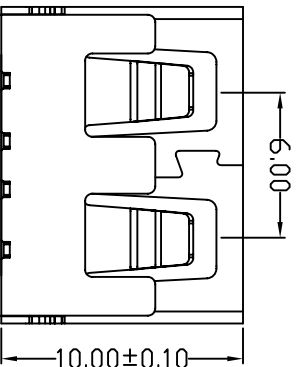
NOTES:
 1. HOUSING: SEE NOTES, UL94V-0.
 TERMINAL: SEE NOTES.
 SHELL: SEE NOTES.

SPECIFICATION:
 1. ELECTRICAL CHARACTERISTIC:
 CONTACT RESISTANCE: 30MΩ MAX
 DIELECTRIC WITHSTANDING VOLTAGE: 500V AC FOR 1MIN
 INSULATION RESISTANCE: 1000MΩ MIN
 2. MECHANICAL CHARACTERISTIC:
 INSERTION FORCE: 35N(3.57KGF) MAX
 EXTRACTION FORCE: 10~35N(1.02~3.57KGF)/MIN
 DURABILITY: 1500 CYCLES EXTRACTION FORCE: 10~35N
 5000 CYCLES MIN

3. ENVIRONMENTAL:
 OPERATING TEMPERATURE: -55°C+85°C
 4. Contact finish:
 01: Selective Gold Flash
 02: Selective Gold 3U"
 03: Selective Gold 5U"
 04: Selective Gold 15U"
 05: Selective Gold 30U"



FRONT EDGE OF CONNECTOR
 PCB LAYOUT (T=1.60mm)



产品图

深圳市精拓金电子有限公司

TOLERANCE UNLESS OTHERWISE SPECIFIED		公差一覽表	
X	±0.15	X	±5°
X	±0.10	X	±2°
XX	±0.05	XX	±1°
XXX	±0.03	XXX	±0.5°
UNIT	MM	DRAWING	Z-Y-B
SCALE	1:1	CHECK	郭治富
DATE	2012.09.24	APPROV	黄国荣
PRODUCT PART NO.	9111-221B1026D10100	PRODUCT NAME	44F10.0后两脚无边壳封装反向DIP
VIEW	角法	VERSION	版本
		AD	AD

1 2 3 4 5 6 7 8 9 10