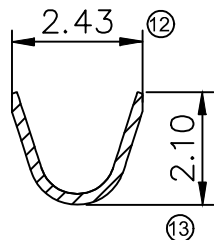
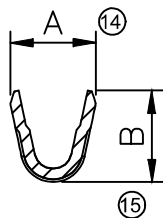


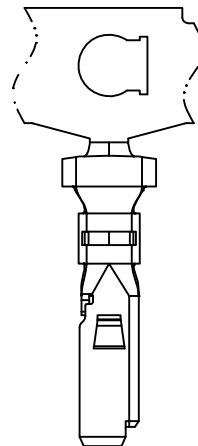
XKB



SECTION: A-A
SCALE: 1:1



SECTION: B-B
SCALE: 1:1



Specifications_{XKB}

规格:

Voltage rating:250V AC/DC

额定电压: 250V AC/DC

Current rating:3A AC/DC

额定电流: 3VA AC/DC

Withstanding voltage:800V AC/minute

耐受电压: 1000V AC/分钟

Temperature range:-40°C--+105°C

温度范围: -40°C--+105°C

Insulation resistance:≥1000MΩ

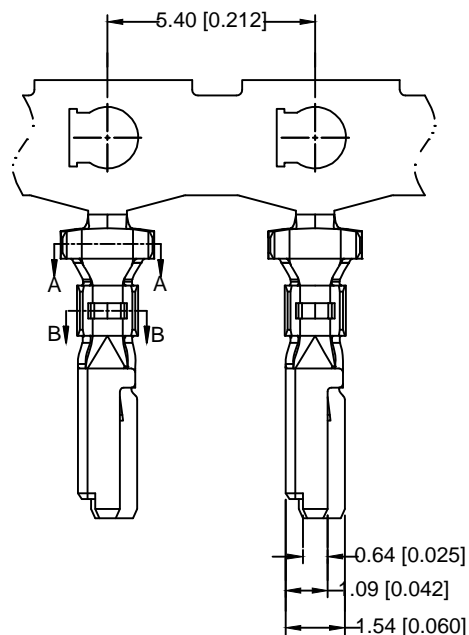
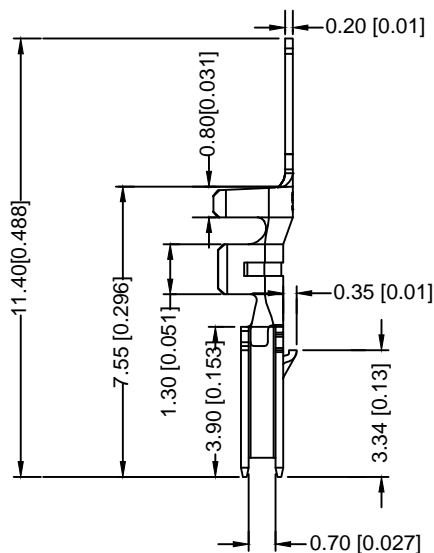
绝缘电阻: ≥1000MΩ

Contact resistance:≤20mΩ

接触电阻: ≤20mΩ

After environmental testing:≤40mΩ

环境测试后: ≤40兆欧



X2023T X-P XX
① ② ③ ④ ⑤

- ① Series NO.
- ② Category:T-Terminal
- ③ Appearance type:Blank -Ordinaryb HJ-High Barrel
- ④ Plating style:-SN-Bright Tin Plating

X2023T-PSN	Phosphor Bronze	AWG#24-26	Ø1.05-1.2mm	Ni-40-120U(1.0-3.0um)Bright tin .80-200u (2.0-5.0um)	X2023H	1.45	1.35
X2023TH-PSN	Phosphor Bronze	AWG#24-26	Ø1.2-1.4mm			1.60	1.70
PART NO	Material	Wire Range	Insulation O.D	Finish	Suitable XKB Terminal	A	B

						XKB	DSND		DATE		SCALE: N/A	MODEL TYPE: X2023T-P-XX		
ΔX				XKB	ANGLAR	±5°	DWN		DATE		VIEW:	PART NO.:		
ΔX					L ≤ 4	±0.2	CHKD		DATE		UNIT: mm/in	2.0 mm Crimp Style Connectors		
ΔX					4 < L ≤ 16	±0.3	APPD		DATE		SIZE: A4	DWG NO.:		
MARK	DESCRIPTION	DATE	REVISED	APPROVED	16 < L ≤ 63	±0.4						WEIGHT	SHEET	REVISION
						L > 63							1/1	A0
						UNSPECIFIED TOLERANCES	XKB INDUSTRIAL PRECISION CO.,LIMITED							

www.helloxkb.com