

General Description

The MAX6351–MAX6360 microprocessor (µP) supervisors with multiple reset voltages significantly improve system reliability and accuracy compared to separate ICs or discrete components. If any input supply voltage drops below its associated preset threshold, all reset outputs are asserted. In addition, the outputs are valid as long as either input supply voltage remains greater than +1.0V.

All devices in this series have an active-low debounced manual-reset input. In addition, the MAX6358/MAX6359/MAX6360 offer a watchdog timer input with a 46.4s startup timeout period and a 2.9s timeout period. The MAX6355/MAX6356/MAX6357 offer an additional voltage-monitor input to monitor a third voltage.

The MAX6351 features two active-low, push-pull reset outputs, one is referenced to V_{CC1} and the other is referenced to V_{CC2} . The MAX6353/MAX6356/MAX6359 offer an active-low, push-pull reset output referenced to V_{CC1} . The MAX6354/MAX6357/MAX6360 offer an active-low, push-pull reset output referenced to V_{CC2} .

All these devices are offered with a wide variety of voltage threshold levels, as shown in the *Voltage-Threshold Levels* table. They are available in 5- and 6-pin SOT23 packages and operate over the extended (-40°C to +85°C) temperature range.

Voltage Threshold Levels

| PART NO. SUFFIX (_ _) | V_{CC1} NOMINAL VOLTAGE THRESHOLD (V) | V_{CC2} NOMINAL VOLTAGE THRESHOLD (V) |
|-------------------------------|---|---|
| LT | 4.63 | 3.08 |
| LS | 4.63 | 2.93 |
| LR | 4.63 | 2.63 |
| MT | 4.38 | 3.08 |
| MS | 4.38 | 2.93 |
| MR | 4.38 | 2.63 |
| TZ | 3.08 | 2.32 |
| TY | 3.08 | 2.19 |
| TW | 3.08 | 1.67 |
| TV | 3.08 | 1.58 |
| SZ | 2.93 | 2.32 |
| SY | 2.93 | 2.19 |
| SW | 2.93 | 1.67 |
| SV | 2.93 | 1.58 |
| UW | 2.78 | 1.67 |
| UV | 2.78 | 1.58 |
| RW | 2.63 | 1.67 |
| RV | 2.63 | 1.58 |

Note: Standard versions are shown in **bold**. Sample stock is generally held on the standard versions only. Contact factory for availability.

Features

- Precision Monitoring of Multiple +1.8V, +2.5V, +3.0V, +3.3V, and +5V Power-Supply Voltages
- Precision Factory-Set Power-Supply Reset Thresholds
- 20µA Supply Current
- 100ms min Power-On-Reset Pulse Width
- Debounced TTL/CMOS-Compatible Manual-Reset Input
- Watchdog Timer
 - 46.4s Startup Timeout
 - 2.9s Normal Timeout
- Fully Guaranteed Over Temperature
- Guaranteed $\overline{\text{RESET}}$ Valid to $V_{CC1} = 1V$ or $V_{CC2} = 1V$
- Power-Supply Transient Immunity
- No External Components for Dual-Voltage Systems
- Small 5- and 6-Pin SOT23 Packages
- Low Cost

Applications

- Computers
- Controllers
- Portable/Battery-Powered Equipment
- Intelligent Instruments
- Multivoltage Systems

Ordering Information

| PART | TEMP RANGE | PIN-PACKAGE |
|---------------|----------------|-------------|
| MAX6351__UT-T | -40°C to +85°C | 6 SOT23 |
| MAX6352__UK-T | -40°C to +85°C | 5 SOT23 |
| MAX6353__UK-T | -40°C to +85°C | 5 SOT23 |
| MAX6354__UK-T | -40°C to +85°C | 5 SOT23 |
| MAX6355__UT-T | -40°C to +85°C | 6 SOT23 |
| MAX6356__UT-T | -40°C to +85°C | 6 SOT23 |
| MAX6357__UT-T | -40°C to +85°C | 6 SOT23 |
| MAX6358__UT-T | -40°C to +85°C | 6 SOT23 |
| MAX6359__UT-T | -40°C to +85°C | 6 SOT23 |
| MAX6360__UT-T | -40°C to +85°C | 6 SOT23 |

*The __ are placeholders for the threshold voltage levels of the devices. Substitute the part number suffix in the Voltage Threshold Levels table for the desired voltage level. All devices are available in tape-and-reel only. There is a 2500 piece minimum order increment for the SOT package.

Devices are available in both leaded and lead(Pb)-free packaging. Specify lead-free by replacing "-T" with "+T" when ordering.

Pin Configurations appear at end of data sheet.
Selector Guide appears at end of data sheet.

Absolute Maximum Ratings

| | | | |
|--|------------------------------------|---|-----------------|
| V _{CC1} , V _{CC2} to GND | -0.3V to +6V | Input/Output Current, All Pins..... | 20mA |
| RST (MAX6352/MAX6355/MAX6358) | -0.3V to +6V | Continuous Power Dissipation (T _A = +70°C) | |
| RST, MR, WDI, RST1, RSTIN (MAX6351/MAX6353/ MAX6356/MAX6359)..... | -0.3V to (V _{CC1} + 0.3V) | 5-Pin SOT23 (derate 7.1mW/°C above +70°C) | 571mW |
| RST, RST2 (MAX6351/MAX6354/ MAX6357/MAX6360)..... | -0.3V to (V _{CC2} + 0.3V) | 6-Pin SOT23 (derate 8.7mW/°C above +70°C) | 695mW |
| | | Operating Temperature Range..... | -40°C to +85°C |
| | | Junction Temperature..... | +150°C |
| | | Storage Temperature Range..... | -65°C to +150°C |

Stresses beyond those listed under "Absolute Maximum Ratings" may cause permanent damage to the device. These are stress ratings only, and functional operation of the device at these or any other conditions beyond those indicated in the operational sections of the specifications is not implied. Exposure to absolute maximum rating conditions for extended periods may affect device reliability.

Electrical Characteristics

(V_{CC1} = V_{CC2} = +1.2V to +5.5V, T_A = -40°C to +85°C, unless otherwise noted. Typical values are at T_A = +25°C.) (Note 1)

| PARAMETER | SYMBOL | CONDITIONS | MIN | TYP | MAX | UNITS | |
|-------------------------------------|--|---|---------------------------------|------|------|-------|---|
| Supply Voltage (Note 2) | V _{CC1} , V _{CC2} | T _A = 0°C to +70°C | 1.0 | | 5.5 | V | |
| | | T _A = -40°C to +85°C | 1.2 | | 5.5 | | |
| Supply Current | I _{CC1} + I _{CC2} | V _{CC1} = 5.5V, V _{CC2} = 3.6V, all I/O pins open | | 20 | 50 | µA | |
| V _{CC1} Threshold (Note 3) | V _{TH1} | MAX63__L__ | T _A = +25°C | 4.54 | 4.63 | 4.72 | V |
| | | | T _A = -40°C to +85°C | 4.5 | | 4.75 | |
| | | MAX63__M__ | T _A = +25°C | 4.3 | 4.38 | 4.46 | |
| | | | T _A = -40°C to +85°C | 4.25 | | 4.50 | |
| | | MAX63__T__ | T _A = +25°C | 3.03 | 3.08 | 3.14 | |
| | | | T _A = -40°C to +85°C | 3.00 | | 3.15 | |
| | | MAX63__S__ | T _A = +25°C | 2.88 | 2.93 | 2.98 | |
| | | | T _A = -40°C to +85°C | 2.85 | | 3.00 | |
| | | MAX63__U__ | T _A = +25°C | 2.74 | 2.78 | 2.82 | |
| | | | T _A = -40°C to +85°C | 2.70 | | 2.85 | |
| | | MAX63__R__ | T _A = +25°C | 2.58 | 2.63 | 2.68 | |
| | | | T _A = -40°C to +85°C | 2.55 | | 2.70 | |
| V _{CC2} Threshold (Note 3) | V _{TH2} | MAX63___T | T _A = +25°C | 3.03 | 3.08 | 3.14 | V |
| | | | T _A = -40°C to +85°C | 3.00 | | 3.15 | |
| | | MAX63___S | T _A = +25°C | 2.88 | 2.93 | 2.98 | |
| | | | T _A = -40°C to +85°C | 2.85 | | 3.00 | |
| | | MAX63___R | T _A = +25°C | 2.58 | 2.63 | 2.68 | |
| | | | T _A = -40°C to +85°C | 2.55 | | 2.70 | |
| | | MAX63___Z | T _A = +25°C | 2.28 | 2.32 | 2.35 | |
| | | | T _A = -40°C to +85°C | 2.25 | | 2.38 | |
| | | MAX63___Y | T _A = +25°C | 2.16 | 2.19 | 2.22 | |
| | | | T _A = -40°C to +85°C | 2.13 | | 2.25 | |
| | | MAX63___W | T _A = +25°C | 1.64 | 1.67 | 1.70 | |
| | | | T _A = -40°C to +85°C | 1.62 | | 1.71 | |
| MAX63___V | T _A = +25°C | 1.55 | 1.58 | 1.61 | | | |
| | T _A = -40°C to +85°C | 1.53 | | 1.62 | | | |

Electrical Characteristics (continued)

(V_{CC1} = V_{CC2} = +1.2V to +5.5V, T_A = -40°C to +85°C, unless otherwise noted. Typical values are at T_A = +25°C.) (Note 1)

| PARAMETER | SYMBOL | CONDITIONS | MIN | TYP | MAX | UNITS |
|---|----------------------|--|-----------------------------|-----------------------|------|--------|
| Reset Threshold Tempco | ΔV _{TH} /°C | | | 20 | | ppm/°C |
| Reset Threshold Hysteresis | | | | V _{TH} /500 | | V |
| V _{CC} to Reset Delay | | 100mV overdrive | | 20 | | μs |
| Reset Timeout Period | t _{RP} | V _{CC1} > V _{TH1} (MAX), V _{CC2} > V _{TH2} (MAX) | 100 | 180 | 280 | ms |
| RESE _T Output Voltage Low | V _{OL} | V _{CC1} or V _{CC2} ≥ 2.7V, I _{SINK} = 1.2mA | | | 0.3 | V |
| | | V _{CC1} or V _{CC2} ≥ 4.5V, I _{SINK} = 3.2mA | | | 0.4 | |
| | | V _{CC1} or V _{CC2} ≥ 1V, I _{SINK} = 50μA, T _A = 0°C to +70°C | | | 0.3 | |
| | | V _{CC1} or V _{CC2} ≥ 1.2V, I _{SINK} = 50μA; T _A = -40°C to +85°C | | | 0.3 | |
| RESE _T Output-Voltage High (MAX6351/MAX6353/MAX6354/ MAX6356/MAX6357/MAX6359/ MAX6360 only) | V _{OH} | (_W, _V versions only), V _{CC1} > V _{TH1} (MAX), V _{CC2} > V _{TH2} (MAX) | I _{SOURCE} = 350μA | 0.8 x V _{CC} | | V |
| | | (_Y versions only), V _{CC1} > V _{TH1} (MAX), V _{CC2} > V _{TH2} (MAX) | I _{SOURCE} = 500μA | 0.8 x V _{CC} | | |
| | | (_T, _S, _R versions only), V _{CC1} > V _{TH1} (MAX), V _{CC2} > V _{TH2} (MAX) | I _{SOURCE} = 800μA | V _{CC} - 1.5 | | |
| WATCHDOG INPUT (MAX6358/MAX6359/MAX6360) | | | | | | |
| Watchdog Timeout Period | t _{WD} | First timeout period after reset | 25.6 | 46.4 | 72.0 | s |
| | | After first WDI falling edge | 1.6 | 2.9 | 4.5 | |
| WDI Pulse Width (Note 4) | t _{WDI} | V _{IL} = 0.4V, V _{IH} = 0.8 x V _{CC} | 50 | | | ns |
| WDI Input Voltage (Note 5) | V _{IL} | V _{CC1} = 5V | 0.3 x V _{CC} | | | V |
| | V _{IH} | | 0.65 x V _{CC} | | | |
| WDI Input Current (Note 6) | | V _{WDI} = V _{CC} | | 120 | 160 | μA |
| | | V _{WDI} = 0 | -20 | -15 | | |
| MANUAL RESET INPUT | | | | | | |
| MR Input Voltage | V _{IL} | MAX63__L_, MAX63__M_, V _{CC1} > V _{TH1} (MAX) | 0.8 | | | V |
| | V _{IH} | MAX63__L_, MAX63__M_, V _{CC1} > V _{TH1} (MAX) | 2.3 | | | |
| | V _{IL} | MAX63__Y, V _{CC1} > V _{TH1} (MAX) | 0.3 x V _{CC} | | | |
| | V _{IH} | MAX63__Y, V _{CC1} > V _{TH1} (MAX) | 0.7 x V _{CC} | | | |

Electrical Characteristics (continued)

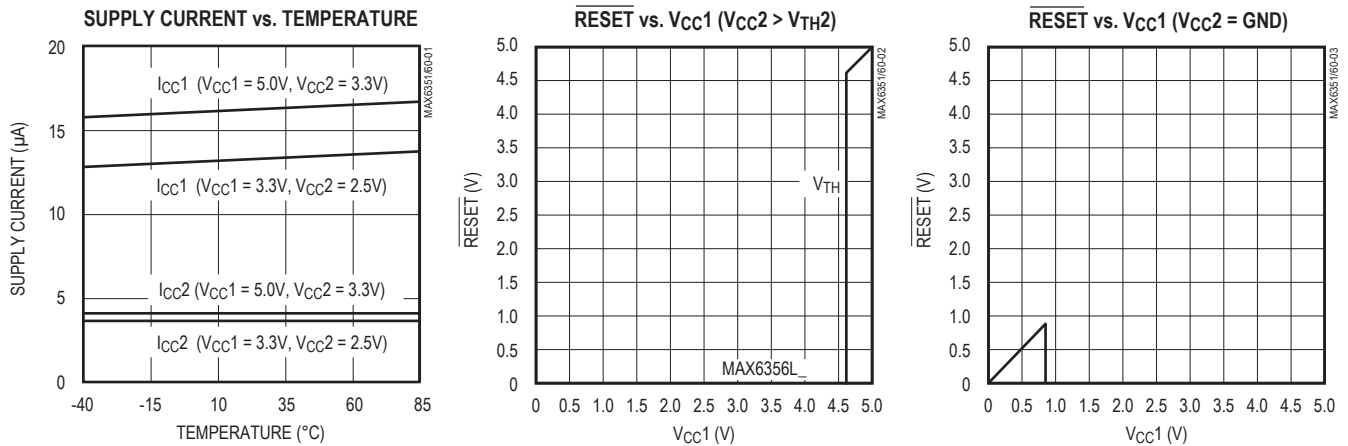
(V_{CC1} = V_{CC2} = +1.2V to +5.5V, T_A = -40°C to +85°C, unless otherwise noted. Typical values are at T_A = +25°C.) (Note 1)

| PARAMETER | SYMBOL | CONDITIONS | MIN | TYP | MAX | UNITS | |
|--|--------------------|---|---------------------------------|------|------|-------|---|
| $\overline{\text{MR}}$ Pullup Resistance | | | 32 | 63.5 | 100 | kΩ | |
| $\overline{\text{MR}}$ Minimum Pulse Width | t _{RP} | | 1 | | | μs | |
| $\overline{\text{MR}}$ Glitch Rejection | | | | 100 | | ns | |
| $\overline{\text{MR}}$ to Reset Delay | t _{MD} | | | 0.1 | | μs | |
| ADJUSTABLE RESET COMPARATOR INPUT (MAX6355/MAX6356/MAX6357) | | | | | | | |
| RSTIN Input Threshold | V _{RSTIN} | V _{CC1} > V _{TH1} (MAX), V _{CC2} > V _{TH2} (MAX) | T _A = +25°C | 1.20 | 1.22 | 1.24 | V |
| | | | T _A = -40°C to +85°C | 1.19 | | 1.25 | |
| RSTIN Input Current | I _{RSTIN} | 0 < V _{RSTIN} < V _{CC1} - 0.3V | -25 | | 25 | nA | |
| RSTIN Hysteresis | | | | 2.5 | | mV | |

- Note 1:** Overtemperature limits are guaranteed by design and not production tested.
- Note 2:** The reset output is guaranteed to be in the correct state if either V_{CC1} or V_{CC2} is within its specified region of operation.
- Note 3:** The reset output(s) is asserted if either V_{CC1} or V_{CC2} drops below its associated trip point.
- Note 4:** Guaranteed by design. Not production tested.
- Note 5:** WDI is internally serviced within the watchdog timeout period if WDI is left unconnected.
- Note 6:** The WDI input current is specified as the average input current when the WDI input is driven high or low.

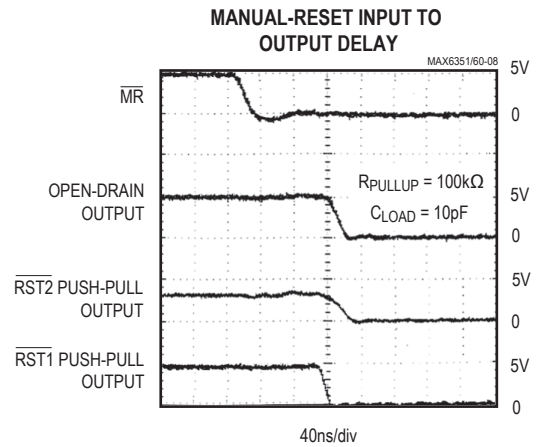
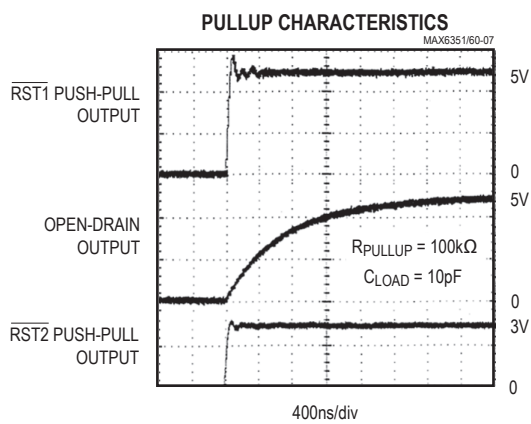
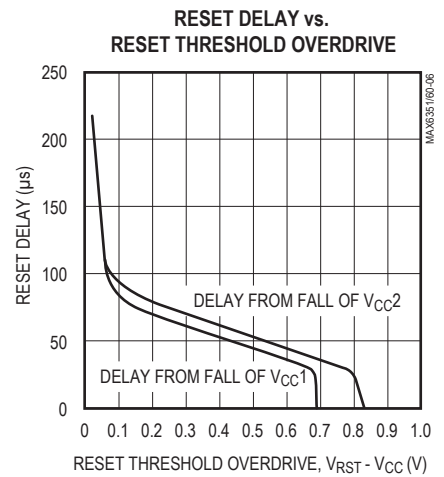
Typical Operating Characteristics

(V_{CC1} = +5V, T_A = +25°C, unless otherwise noted.)



Typical Operating Characteristics (continued)

($V_{CC1} = +5V$, $T_A = +25^\circ C$, unless otherwise noted.)



Pin Description

| MAX6351 | PIN | | | NAME | DESCRIPTION |
|---------|-------------------------------|-------------------------------|-------------------------------|--------------------------|--|
| | MAX6352 MAX6353 MAX6354 | MAX6355 MAX6356 MAX6357 | MAX6358 MAX6359 MAX6360 | | |
| 1 | — | — | — | $\overline{\text{RST1}}$ | Active-Low, CMOS Reset Output Referenced to V_{CC1} |
| — | 1 | 1 | 1 | $\overline{\text{RST}}$ | Active-Low Reset Output. Open drain for the MAX6352/MAX6355/MAX6358, push-pull with respect to V_{CC1} for the MAX6353/MAX6356/MAX6359, and push-pull with respect to V_{CC2} for the MAX6354/MAX6357/MAX6360. |
| 2 | 2 | 2 | 2 | GND | Ground |
| 3 | 3 | 3 | 3 | $\overline{\text{MR}}$ | Manual-Reset Input. Pull low to force a reset. $\overline{\text{RST}}$, $\overline{\text{RST1}}$, and $\overline{\text{RST2}}$ remain active as long as $\overline{\text{MR}}$ is low and for the timeout period after $\overline{\text{MR}}$ goes high. Leave unconnected or connect to V_{CC1} if unused. $V_{\overline{\text{MR}}}$ must not exceed V_{CC1} . |
| 4 | 4 | 4 | 4 | V_{CC2} | Supply Input. Powers the device when it is above V_{CC1} and monitors its own voltage. |
| 5 | — | — | — | $\overline{\text{RST2}}$ | Active-Low, CMOS Reset Output Referenced to V_{CC2} |
| — | — | 5 | — | RSTIN | Undervoltage-Reset Comparator Input. Asserts reset when the monitored voltage falls below 1.22V. Set the reset threshold with an external resistive divider. Connect to V_{CC1} if unused. V_{RSTIN} must not exceed V_{CC1} . |
| — | — | — | 5 | WDI | Watchdog Input. If WDI remains either high or low longer than the timeout period, then reset is triggered. The timer clears when reset is asserted or whenever WDI sees a rising or falling edge. Leave unconnected to disable if unused. |
| 6 | 5 | 6 | 6 | V_{CC1} | Supply Input. Powers the device when it is above V_{CC2} and monitors its own voltage. |

Detailed Description

Supply Voltages

The MAX6351–MAX6360 microprocessor (µP) supervisory circuits maintain system integrity by alerting the µP to fault conditions. These ICs monitor multiple-supply systems. The output reset state is guaranteed to remain viable while either V_{CC1} or V_{CC2} is above +1V.

Threshold Levels

All the possible input voltage threshold-level combinations are indicated by a two-letter code in the *Voltage Threshold Levels* table.



Figure 1. Functional Diagram

Reset Outputs

The MAX6351 provides two active-low, push-pull reset outputs, one corresponding to each of its two monitored voltages. The MAX6353/MAX6356/MAX6359 have an active-low, push-pull reset output that is referenced to V_{CC1}. The MAX6354/MAX6357/MAX6360 have an active-low, push-pull reset output that is referenced to V_{CC2}. The MAX6352/MAX6355/MAX6358 provide an active-low open-drain reset. The reset outputs are maintained as long as at least one of the supplies is above +1V.

Negative-Going V_{CC} Transients

The MAX6351–MAX6360 are designed to ignore short negative-going V_{CC1} and V_{CC2} transients. See the Maximum V_{CC} Transient Duration vs. Reset Threshold Overdrive graph in the *Typical Operating Characteristics*.

Third Input Voltage
(MAX6355/MAX6356/MAX6357)

The MAX6355/MAX6356/MAX6357 provide an additional input to monitor a third voltage. The threshold voltage at RSTIN is typically 1.22V. To monitor a voltage higher than 1.22V, connect a resistive divider to the circuit, as shown in Figure 2. The threshold at V_{EXT} is:

$$V_{\text{EXT_TH}} = 1.22V \left(\frac{R1 + R2}{R2} \right)$$

Note that RSTIN is powered by V_{CC1}, and its voltage must therefore remain lower than or equal to V_{CC1}.

Watchdog Input
(MAX6358/MAX6359/MAX6360)

The MAX6358/MAX6359/MAX6360 include a dual-mode watchdog timer to monitor µP activity. The flexible timeout architecture provides a startup mode, allowing complicated systems to complete lengthy boots, and a normal mode, allowing the supervisor to provide quick alerts when processor activity fails.



Figure 2. Monitoring a Third Voltage

During the normal operating mode, the supervisor issues a reset pulse for the reset timeout period (140ms min) if the μP does not update the WDI with a valid transition (high to low or low to high) within the standard timeout period (1.6s min).

After each reset event (V_{CC} power-up, manual reset, or watchdog reset), there is an initial watchdog startup timeout period of 25.6s. The startup mode provides an extended period for the system to power up and fully initialize all μP and system components before assuming responsibility for routine watchdog updates. The normal watchdog timeout period (1.6s min) begins at the conclusion of the startup timeout period or after the first transition on WDI before the conclusion of the startup period (Figure 3).

Applications Information

Ensuring a Valid RESET Output Down to $V_{CC} = 0$

In some systems, it is necessary to ensure a valid reset even if V_{CC} falls to 0. In these applications, use the circuit shown in Figure 4. Note that this configuration does not work for the open-drain outputs of the MAX6352/MAX6355/MAX6358.

Interfacing to μPs with Bidirectional Reset Pins

Microprocessors with bidirectional reset pins contend with the push-pull outputs of these devices. To prevent this, connect a 4.7kΩ resistor between RESET and the μP’s reset I/O port, as shown in Figure 5. Buffer RESET, as shown in the figure, if this reset is used by other components in the system.



Figure 3. Normal Watchdog Startup Sequence

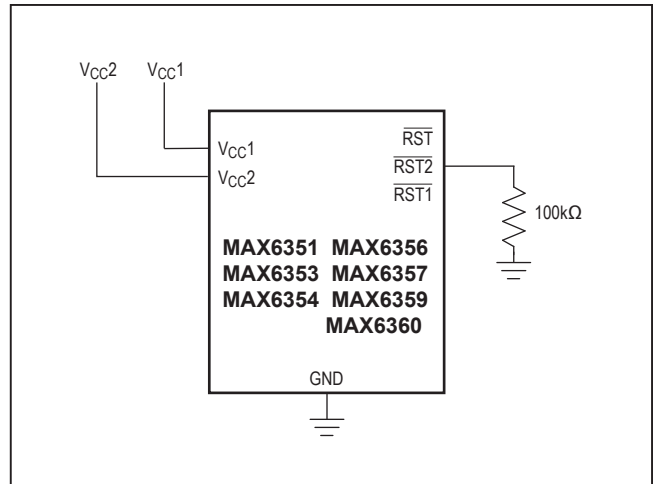


Figure 4. Ensuring a Valid Reset Low to V_{CC1} and $V_{CC2} = 0$

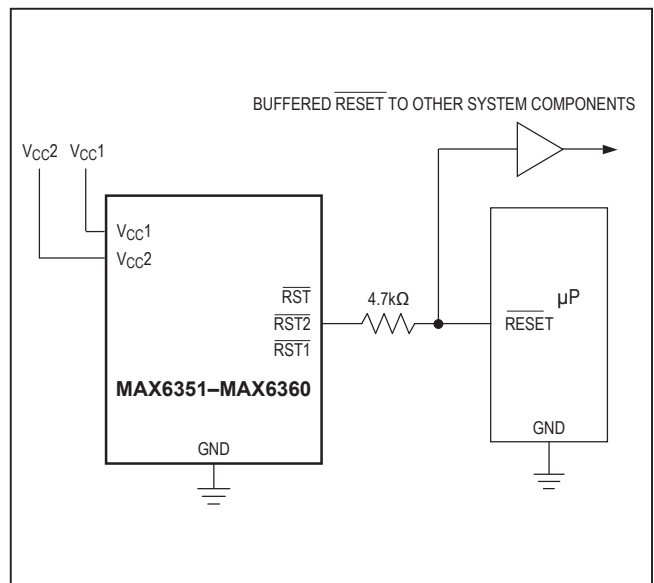


Figure 5. Interfacing to μPs with Bidirectional Reset I/O

Pin Configurations



Selector Guide

| PART | PIN COUNT | NUMBER OF SUPPLIES MONITORED | $\overline{\text{RST1}}$ | $\overline{\text{RST2}}$ | OPEN-DRAIN RESET | WATCHDOG TIMER | MANUAL RESET |
|---------|-----------|------------------------------|--------------------------|--------------------------|------------------|----------------|--------------|
| MAX6351 | 6 | 2 | ✓ | ✓ | — | — | ✓ |
| MAX6352 | 5 | 2 | — | — | ✓ | — | ✓ |
| MAX6353 | 5 | 2 | ✓ | — | — | — | ✓ |
| MAX6354 | 5 | 2 | — | ✓ | — | — | ✓ |
| MAX6355 | 6 | 3 | — | — | ✓ | — | ✓ |
| MAX6356 | 6 | 3 | ✓ | — | — | — | ✓ |
| MAX6357 | 6 | 3 | — | ✓ | — | — | ✓ |
| MAX6358 | 6 | 2 | — | — | ✓ | ✓ | ✓ |
| MAX6359 | 6 | 2 | ✓ | — | — | ✓ | ✓ |
| MAX6360 | 6 | 2 | — | ✓ | — | ✓ | ✓ |

Chip Information

PROCESS: BICMOS

Package Information

For the latest package outline information and land patterns (footprints), go to www.maximintegrated.com/packages. Note that a "+", "#", or "-" in the package code indicates RoHS status only. Package drawings may show a different suffix character, but the drawing pertains to the package regardless of RoHS status.

| PACKAGE TYPE | PACKAGE CODE | OUTLINE NO. | LAND PATTERN NO. |
|--------------|--------------|-------------------------|-------------------------|
| 5 SOT23 | U5-1 | 21-0057 | 90-0174 |
| 6 SOT23 | U6-1 | 21-0058 | 90-0175 |

Revision History

| REVISION NUMBER | REVISION DATE | DESCRIPTION | PAGES CHANGED |
|-----------------|---------------|---|---------------|
| 7 | 5/14 | Changed the minimum value for the WDI input voltage spec in the <i>Electrical Characteristics</i> table on page 3; rebranded data sheet | 1–11 |

For pricing, delivery, and ordering information, please contact Maxim Direct at 1-888-629-4642, or visit Maxim Integrated's website at www.maximintegrated.com.

Maxim Integrated cannot assume responsibility for use of any circuitry other than circuitry entirely embodied in a Maxim Integrated product. No circuit patent licenses are implied. Maxim Integrated reserves the right to change the circuitry and specifications without notice at any time. The parametric values (min and max limits) shown in the Electrical Characteristics table are guaranteed. Other parametric values quoted in this data sheet are provided for guidance.