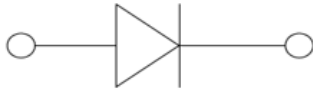


Small Signal Schottky Rectifier



SOD323

Features

- Epoxy meets UL-94 V-0 flammability rating and halogen free
- Moisture Sensitivity Level 1
- V_R 40V
- I_{FAV} 0.5A
- For Surface Mount Application
- Part no. with suffix "Q" means AEC-Q101 qualified

Mechanical Data

- **Case:** SOD323
- **Terminals:** Tin plated leads, solderable per J-STD-002 and JESD22-B102
- **Polarity:** Cathode line denotes the cathode end
- **Marking:** 4

■ Maximum Ratings ($T_a=25^\circ\text{C}$ Unless otherwise specified)

PARAMETER	SYMBOL	UNIT	CONDITIONS	VALUE
Maximum Recurrent Peak Reverse Voltage	V_{RRM}	V		40
DC Blocking Voltage	V_R	V		40
Average Forward Current	I_{FAV}	A		0.5
Peak Forward Surge Current	I_{FSM}	A	8.3ms, half sine	5.5
Power Dissipation	P_{tot}	mW		250
Thermal Resistance Junction to Ambient	R_{thJA}	$^\circ\text{C}/\text{W}$		500
Maximum Junction Temperature	T_j	$^\circ\text{C}$		-55 to +150
Storage Temperature Range	T_{stg}	$^\circ\text{C}$		-55to +150

■ Electrical Characteristics ($T_a=25^\circ\text{C}$ Unless otherwise specified)

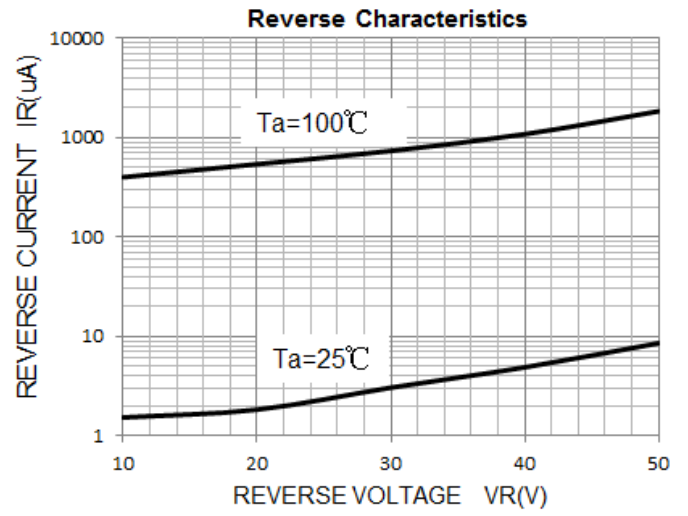
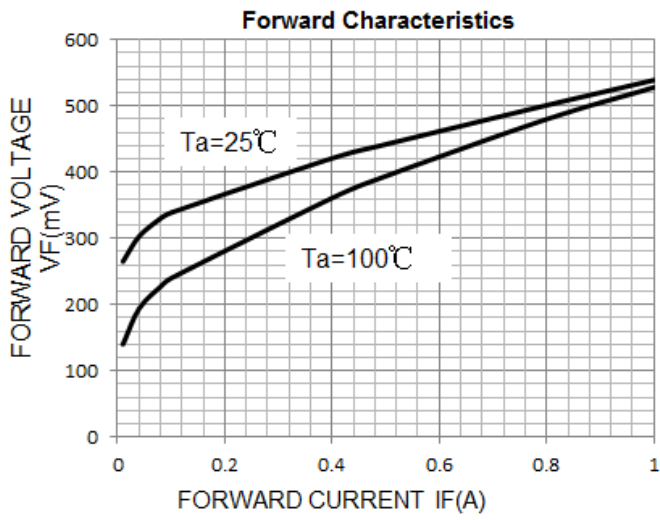
PARAMETER	SYMBOL	UNIT	CONDITIONS	MIN	TYP	MAX
Breakdown Voltage	V_R	V	$I_R=20\mu\text{A}$	40		
Forward Voltage	V_F	V	$I_F=0.5\text{A}, T_A=25^\circ\text{C}$			0.55
Reverse Leakage Current	I_R	μA	$V_R=40\text{V}$			80
Typical Junction Capacitance	C_J	pF	$V_R=4\text{V}, f=1\text{MHz}$			30

■ Ordering Information (Example)

PREFERRED P/N	PACKING CODE	UNIT WEIGHT(g)	MINIMUM PACKAGE(pcs)	INNER BOX QUANTITY(pcs)	OUTER CARTON QUANTITY(pcs)	DELIVERY MODE
B0540WSQ	F2	Approximate 0.004	3000	30000	120000	7" reel



■ Characteristics(Typical)

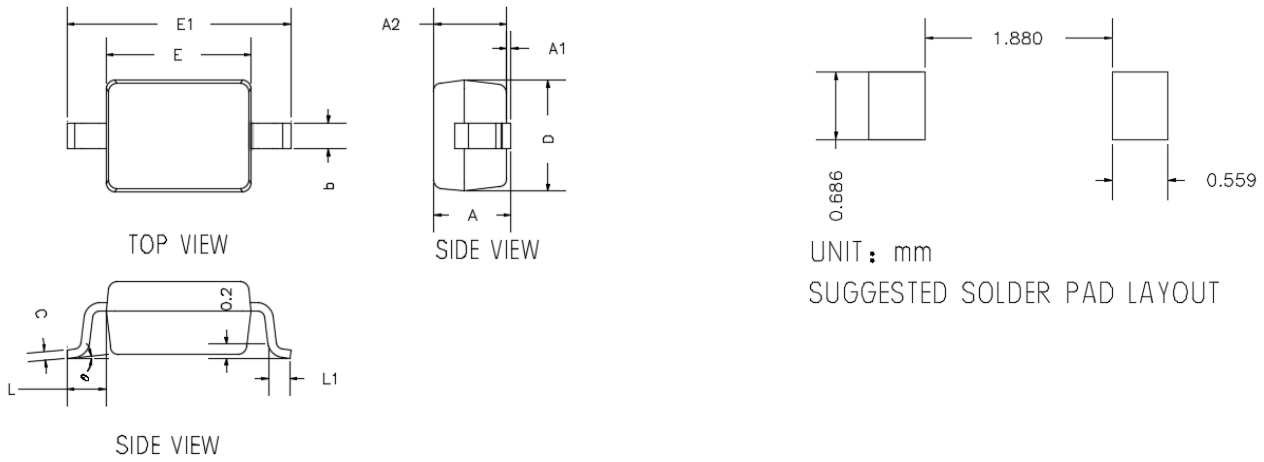




B0540WSQ

■ Outline Dimensions

SOD-323



DIMENSIONS				
DIM	INCHES		MM	
	MIN		MIN	MAX
A	---	0.0393	---	1.0000
A1	0.0000	0.0039	0.0000	0.1000
A2	0.0314	0.0354	0.8000	0.9000
b	0.0098	0.0157	0.2500	0.4000
c	0.0031	0.0059	0.0800	0.1500
D	0.0472	0.0551	1.2000	1.4000
E	0.0629	0.0709	1.6000	1.8000
E1	0.0984	0.1063	2.5000	2.7000
L	0.0187TYP		0.475TYP	
L1	0.0098	0.0157	0.250	0.400
?	0°	8°	0°	8°

■ Marking Information



Note:

1. All marking is at middle of the product body
2. All marking is in laser marking
3. XX is Marking Code
4. Body color: Black



B0540WSQ

Disclaimer

The information presented in this document is for reference only. Yangzhou Yangjie Electronic Technology Co., Ltd. reserves the right to make changes without notice for the specification of the products displayed herein to improve reliability, function or design or otherwise.

The product listed herein is designed to be used with automotive electronics, are not designed for use in medical, life-saving, life-sustaining, or military, Yangjie or anyone on its behalf, assumes no responsibility or liability for any damages resulting from such improper use of sale.

This publication supersedes & replaces all information previously supplied. For additional information, please visit our website [http:// www.21yangjie.com](http://www.21yangjie.com) , or consult your nearest Yangjie's sales office for further assistance.