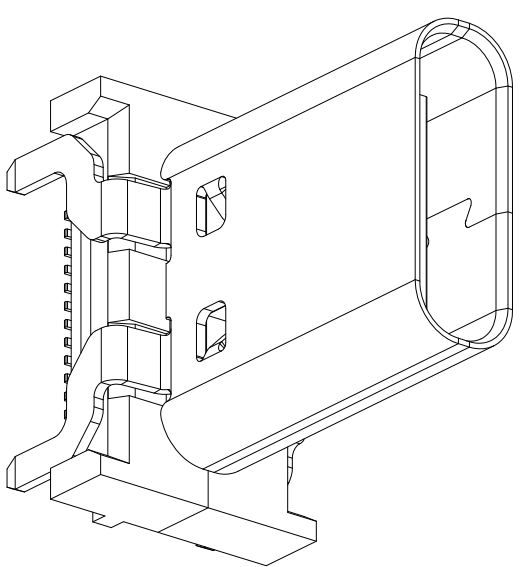
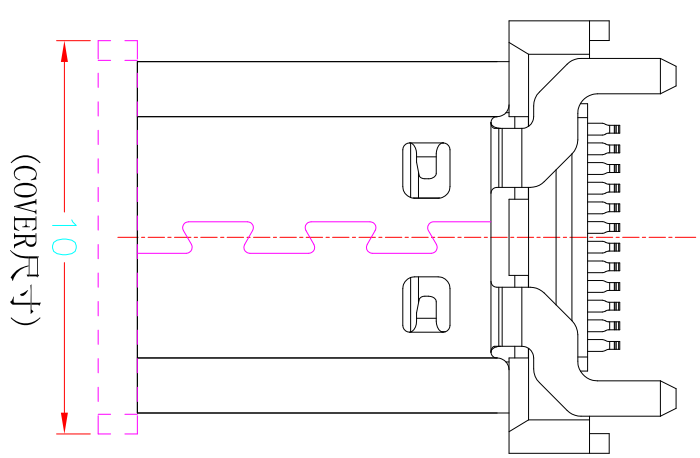
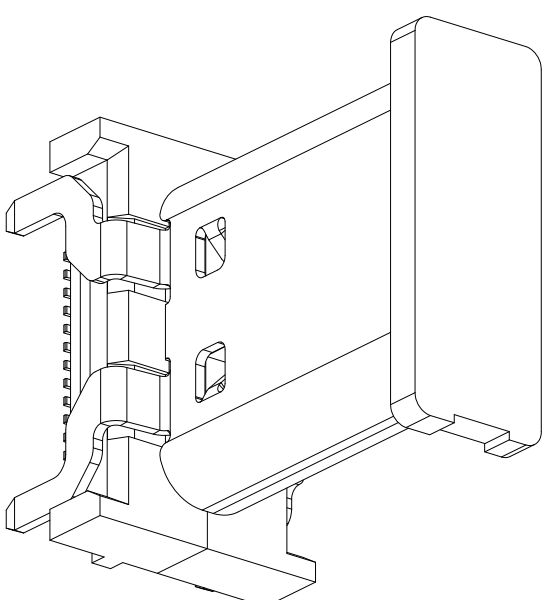


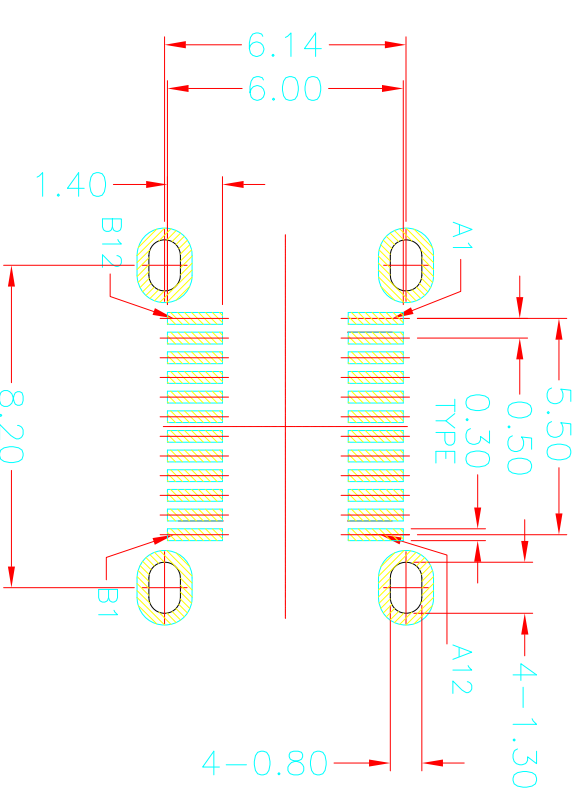
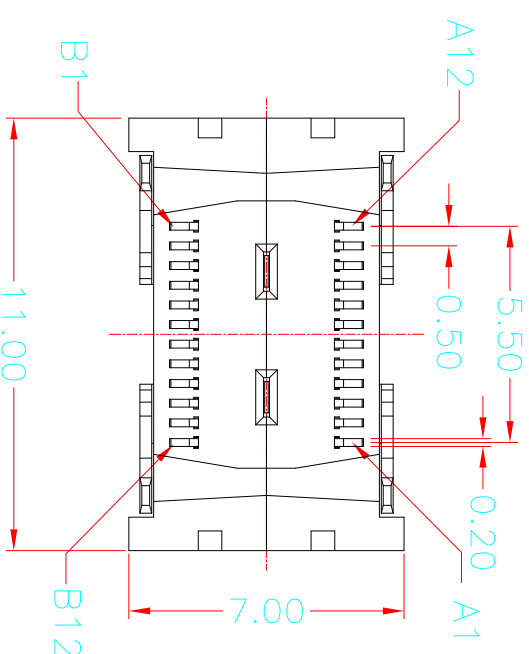
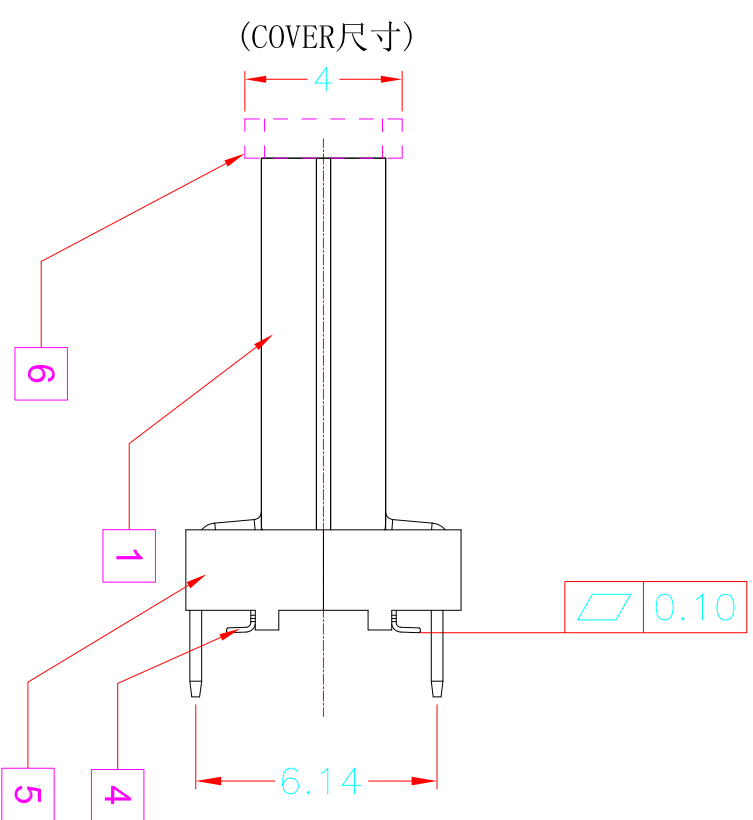
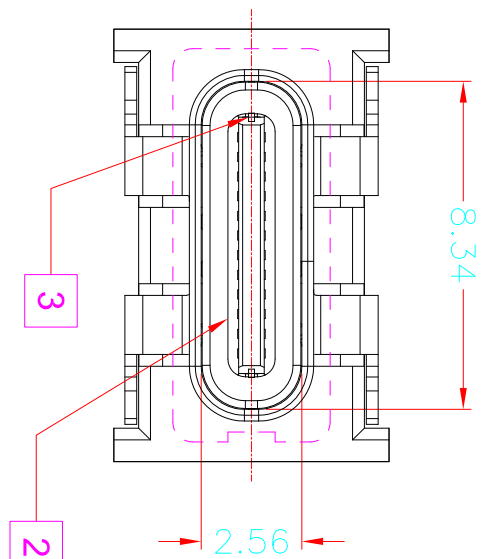
RoHS



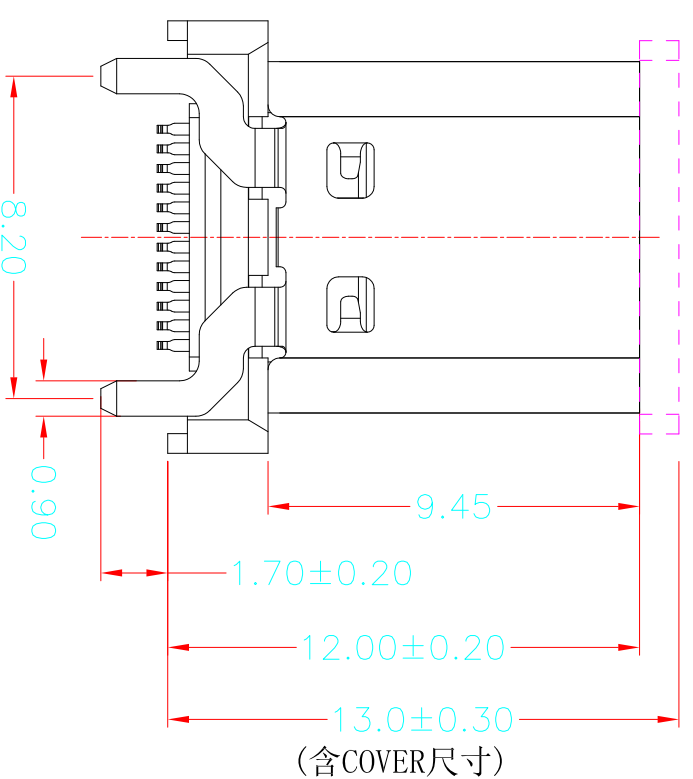
WITHOUT COVER



WITH COVER



RECOMMEND P.C.B LAYOUT(COMPONENT SIDE)  
TOLERANCE FOR PCB LAYOUT IS ± 0.05  
KEEP OUT AREA



- 1.Contact Resistance:40mOHM Max.;
- 2.Dielectric Withstanding Voltage:100V AC For 1 Minute;
- 3.Insulation Resistance:100M OHM Min.;
- 4.Mating And Unmating Force:  
Mating Force: 5~20N  
Unmating Force: 8~20N;
- 5.Durability:10000 Cycles;

Item	Title	Material	Dispose	QTY
1	Shell	SUS304	Ni:30u" Min.	1PCS
2	GND Plate	SUS301		2PCS
3	Mid Plate	SUS301		1PCS
4	Contact	C7025	Mating Area: See P/N Solder Tails: Matt Tin	2PCS
5	InsertMolding	LCP E6808	UL 94V-0 Block	1PCS
6	COVER	LCP E6808	UL 94V-0 Block	1PCS

产品图

PRODUCT CHART DWG  
公差一览表  
TOLERANCE UNLESS OTHERWISE

UNITS	X.	±0.25	X.	±5.°
TOLERANCE UNLESS OTHERWISE	X.	±0.15	.X	±2.°
	.XX	±0.10	.XX	±1.°
	.XXX	±0.05	.XXX	±0.5°

深圳市精拓金电子有限公司  
Shenzhen Jing Tuo Jin Electronics Co., Ltd.

单位 UNITS	MM	制图 DRAWING	YANG	制图料号 PRODUCT PART NO.	918-418K202AY40004
比例 SCALE	1:1	审核 CHKD	郭治富	产品名称 PRODUCT NO.	TYPE-03.1母座立式四脚有柱双排贴片10.0LCP黑胶2PIN
日期 DATE	2020-05-22	核准 APPD	黄国荣	角法 VIEW	
				版本 VER	A0