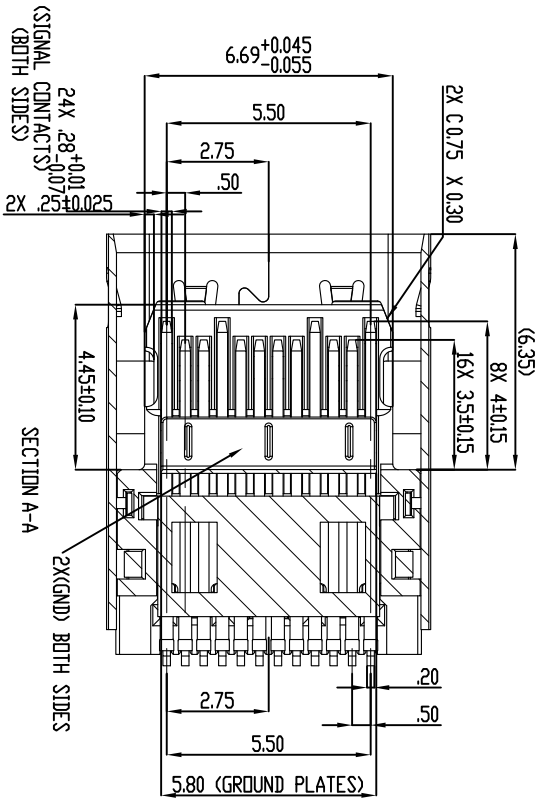
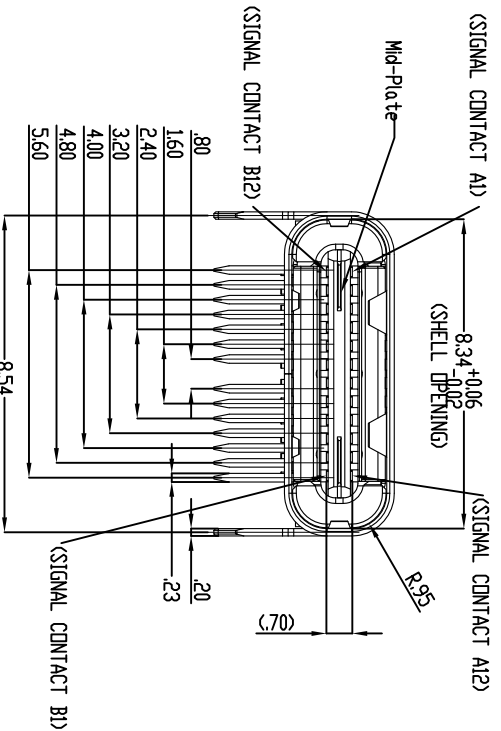
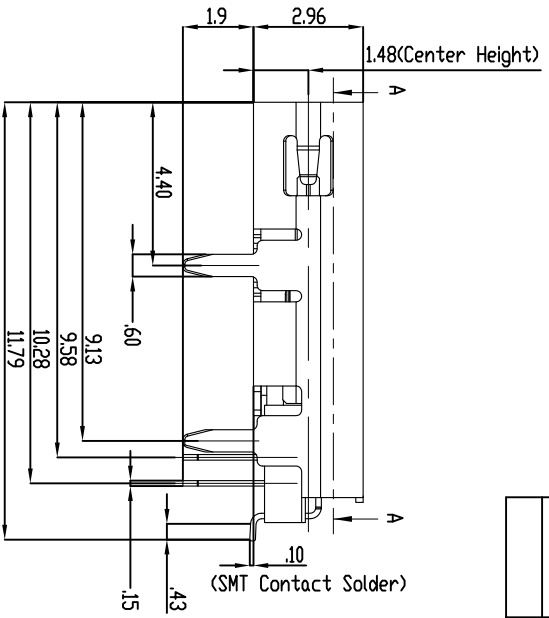
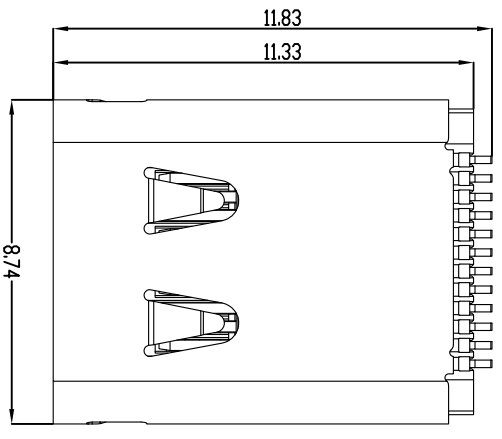


ROHS



SPECIFICATION
MATERIAL
 Insulator: Thermoplastic, Black
 Contacts: BRASS
 Shell: Stainless Steel
CONTACT PLATING
 Underplate: 40u"~80u" Nickel
 Contact area: 30u" Pd-Ni+2u" Solder
 Solder tails area: 100u"~200u" Tin (Lead Free)
ELECTRICAL
 Operation voltage: 20 V
 Current rating: 5 Amps max.
 Insulation resistance: 100 Mohms min @ 100 VDC
 Dielectric withstanding: 100 VAC / minute
 Temperature range: -40°C to +105°C
 Mating cycles: 10,000 insertions
 Part no.

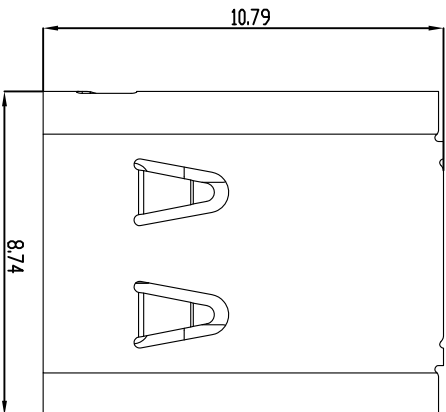
MAPX	MODIFICATION	DRW	DATE

产品图
 PRODUCT CHART DWG
 公差—一览表
 TOLERANCE UNLESS OTHERWISE SPECIFIED
 X ±0.25 X ±5°
 X ±0.20 X ±2°
 XX ±0.05 XX ±1°
 XXX ±0.02 XXX ±0.5°
 深圳市精拓电子有限公司
 Shenzhen Jing Tuo Jin Electronics Co., Ltd.

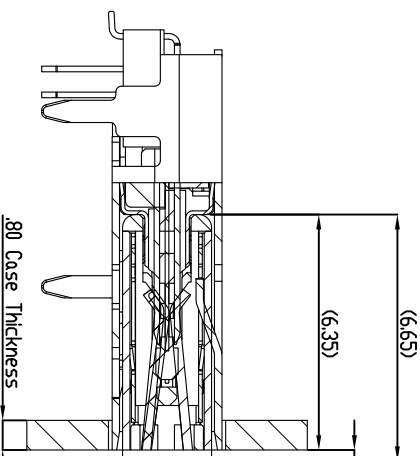
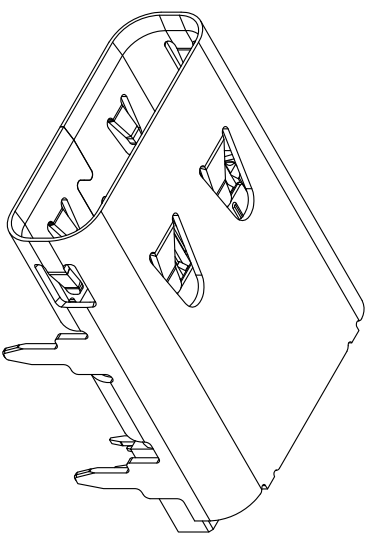
单位	MM	制图	YANG	制图料号	918-318K2023C40008
UNITS	MM	DRAWING		PRODUCT PART NO.	
比例	1:1	审核	郭治富	产品名称	USB Type C 24P F板L型DP-SMT
SCALE	1:1	CHKD		PRODUCT NO.	L=11.33(输入深度6.2无后遮蔽片)
日期	2020-05-22	核准	黄国荣	角法	VER
DATE		APRD		VER	AD

1 2 3 4 5 6 7 8 9 10
 G F E D C B A
 G F E D C B A

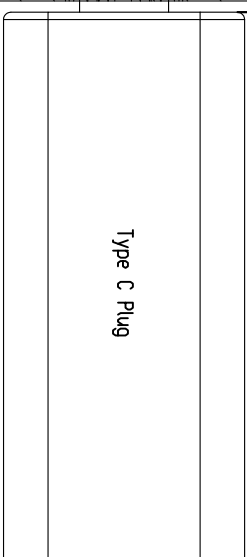
ROHS



CDXDC logo



80 Case Thickness
PLUG FULLY SEATED IN RECEPTACLE

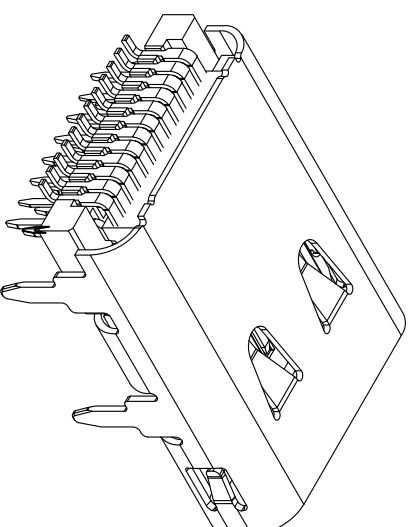


MAPX	MODIFICATION	DRW	DATE

产品图
PRODUCT CHART DWG

深圳市精拓金电子有限公司
Shenzhen Jing Tuo Jin Electronics Co., Ltd.

公差一览表 TOLERANCE UNLESS OTHERWISE		单位 UNITS	MM	制图 DRAWING	YANG	制图料号 PRODUCT PART NO.	
X	±0.25	X	±5°	审核 CHKD	郭治富	产品名称 PRODUCT NO.	USB Type C 24P F板 L型DIP+SMT
X	±0.20	X	±2°	核准 APPD	黄国荣	角法 VIEW	L=11.33(插入深度6.2無後遮蔽片)
XX	±0.05	XX	±1°	日期 DATE	2020-05-22	版本 VER	AD
XXX	±0.02	XXX	±0.5°				



1 2 3 4 5 6 7 8 9 10

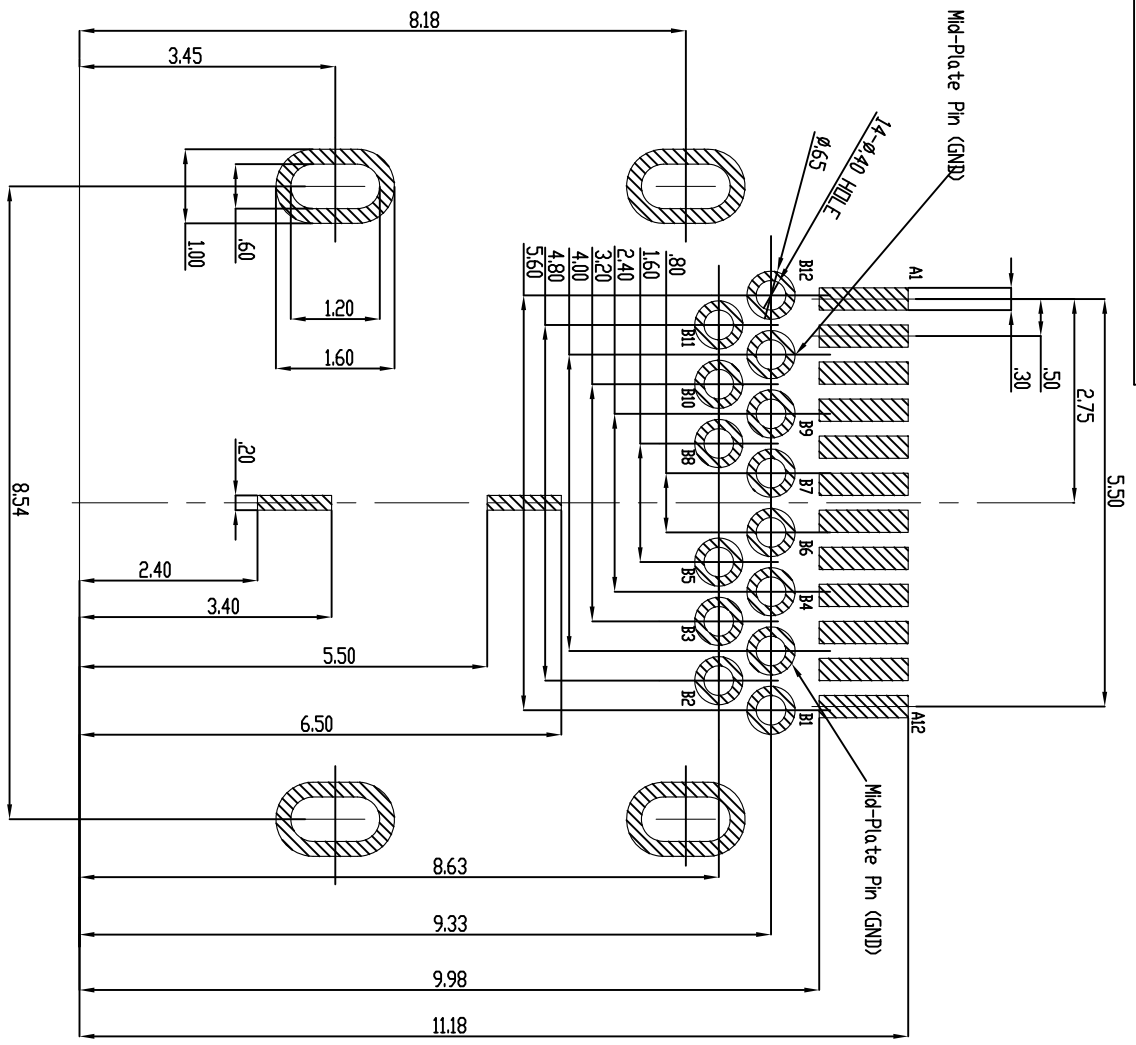
10HHS

MAPX

MODIFICATION

DRW

DATE



Recommended PCB LAYOUT
TOLERANCE ±0.05
PCB Thickness = 1.0 For 150 Solder tail
1.6 For 190 Solder tail

USB TYPE -C Pin Assignments

Pin Number	Signal Name	Pin Number	Signal Name
A1	GND	B12	GND
A2	SSTXp1	B11	SSRXp1
A3	SSTXn1	B10	SSRXn1
A4	VBUS	B9	VBUS
A5	CC1	B8	SBU2
A6	Dp1	B7	Dn2
A7	Dn1	B6	Dp2
A8	SBU1	B5	CC2
A9	VBUS	B4	VBUS
A10	SSRXn2	B3	SSTXn2
A11	SSRXp2	B2	SSTXp2
A12	GND	B1	GND

产品图
PRODUCT CHART DWG

深圳市精拓电子有限公司
Shenzhen Jing Tuo Jin Electronics Co., Ltd.

公差一览表		UNIT		DRAWING		PRODUCT PART NO.	
TOLERANCE UNLESS OTHERWISE		MM		ANG		PRODUCT PART NO.	
X	±0.25	X	±5°	审核	郭治富	产品名称	USB Type C 24P F板上型DIP+SMT
X	±0.20	X	±2°	CHKD	黄国荣	PRODUCT NO.	L=11.33(输入深度6.2(无后遮蔽片))
XX	±0.05	XX	±1°	核准		角法	
XXX	±0.02	XXX	±0.5°	APRD		VER	版本
				DATE	2020-05-22	角法	AD

1 2 3 4 5 6 7 8 9 10

G F E D C B A

G F E D C B A