

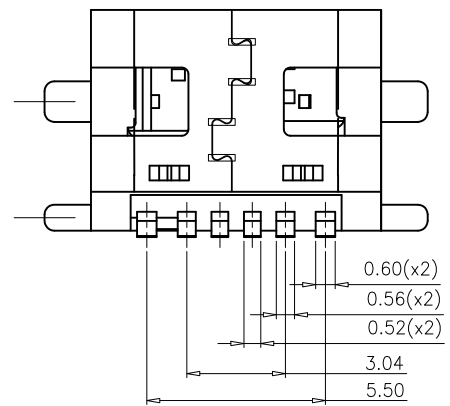
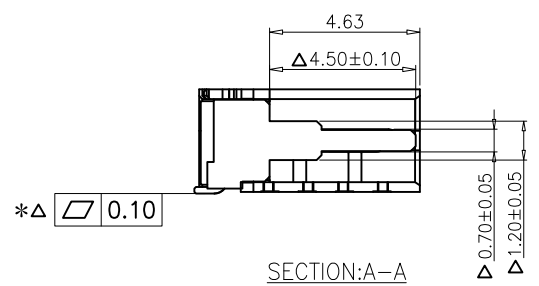
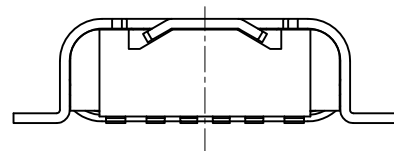
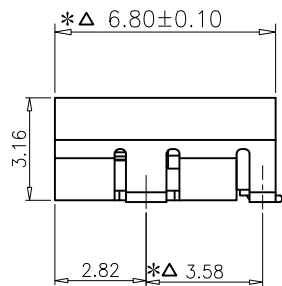
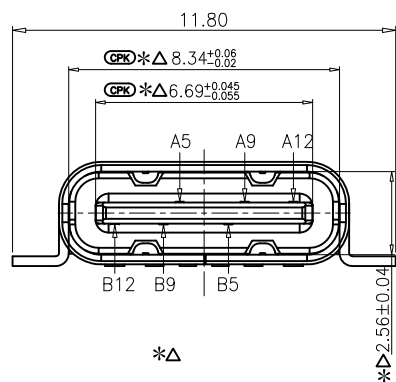
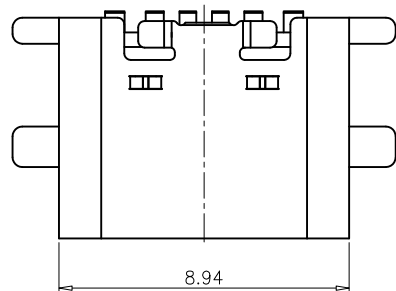
RoHS

MAPX

MODIFICATION

DRW

DATE



NOTE1:

- MATERIAL SPECIFICATION:
  - HOUSING:HIGH TEMPERATURE RESISTANT PLASTIC,UL94 V-0.
  - CONTACTS:COPPER ALLOY
  - MID PLATE: STAINLESS STEEL
  - FRONT SHELL: STAINLESS STEEL
- PLATING SPECIFICATION:
  - CONTACTS:
    - Ni 50u" MIN. UNDER PLATED OVER ALL.
    - Au PLATED ON THE FUNCTIONAL AREA OF CONTACT.
    - (GOLD PLATING THICKNESS FOLLOW THE P/N)
    - PLATING SPECIFICATIONS OF THE SOLDER AREA FOLLOW THE P/N
  - FRONT SHELL:
    - SEE TABLE1.
  - SHIELD PLATE&EMI PLATE:
    - CLEAR ONLY
- MECHANICAL PERFORMANCE,
  - INSERTION FORCE: 0.5~2.0kgf.
  - REMOVAL FORCE: 0.8kgf~2.0kgf.
  - DURABILITY: 2000 CYCLES.
- ELECTRICAL PERFORMANCE,
  - CURRENT RATING:3.0A  
VOLTAGE RATING:5.0V
  - LLCR:
    - VBUS & GND PINS AND OTHER PINS: 40mΩ/PIN MAX.
    - SHIELD: 50mΩ/MAX.
    - LLCR MAX. CHANGE OF ALL PINS: 10mΩ.
  - INSULATION RESISTANCE: 100MΩ MIN
  - DIELECTRIC WITHSTAND VOLTAGE,AC 100V FOR 1 MINUTE.
- ENVIRONMENTAL PERFORMANCE:
  - OPERATING TEMPERATURE: -25°C~+85°C.
- IR REFLOW:
  - THE PEAK TEMPERATURE ON THE BOARD SHALL BE MAINTAINED FOR 10 SECONDS AT 260°C.
- COMPLY WITH RoHS 2.0 AND REACH AND OTHER ENVIRONMENTAL PROTECTION REQUIREMENTS
- 带"Δ"符号为重点管控尺寸  
带"\*"符号为巡检管控尺寸  
带"CPK"符号为CPK管控尺寸

产品图  
PRODUCT CHART DWG

深圳市精拓金电子有限公司  
Shenzhen Jing Tuo Jin Electronics Co., Ltd.

公差一览表 TOLERANCE UNLESS OTHERWISE				单位 UNITS	MM	制图 DRAWING	YANG	制图料号 PRODUCT PART NO.	918-418K2028S40000
X.	±0.25	X.	±5°	比例 SCALE	1:1	审核 CHKD	郭治富	产品名称 PRODUCT NAME	TYPE-C3.1母座上6.8四脚全贴无弹单排SMT 6PIN
.X	±0.15	.X	±2°	日期 DATE	2020-05-22	核准 APPD	黄国荣	角法 VIEW	版本 VER
.XX	±0.10	.XX	±1°						AD
.XXX	±0.05	.XXX	±0.5°						

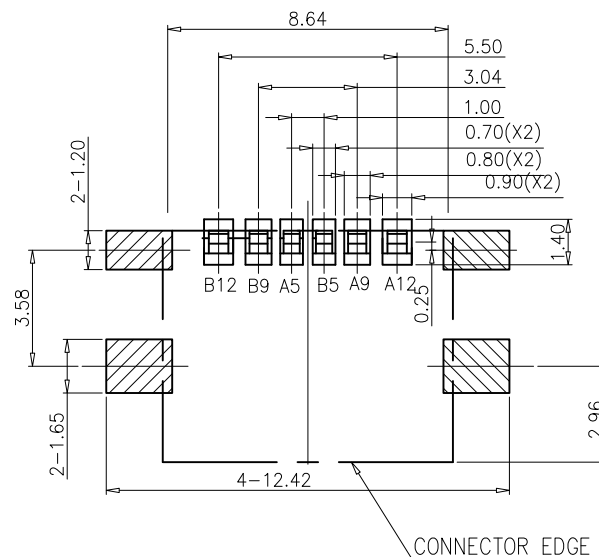
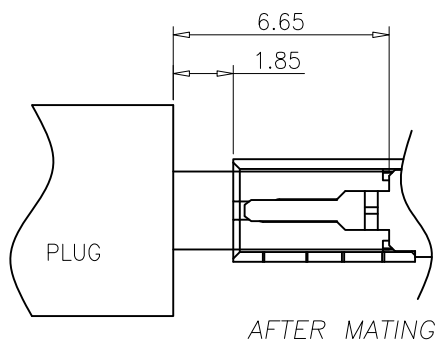
RoHS

MAPX

MODIFICATION

DRW

DATE



USB TYPE-C PIN ASSIGNMENTS

PIN NUMBER	SIGNAL NAME	PIN NUMBER	SIGNAL NAME
A12	GND	B12	GND
A9	VBUS	B9	VBUS
A5	CC1	B5	CC2

RECOMMENDED PCB LAYOUT(TOP VIEW)

THICKNESS 1.6±0.10MM;DEFAULT TOLERANCE:±0.05

<p>产品图 PRODUCT CHART DWG</p>				<p>深圳市精拓金电子有限公司 Shenzhen Jing Tuo Jin Electronics Co., Ltd.</p>						
<p>公差一览表 TOLERANCE UNLESS OTHERWISE</p>				单位 UNITS	MM	制图 DRAWING	YANG	制图料号 PRODUCT PART NO.	918-418K2028S40000	
X.	±0.25	X.	±5.°	比例 SCALE	1:1	审核 CHKD	郭治富	产品名称 PRODUCT NAME	TYPE-C3.1母座板上6.8四脚全贴无弹单排SMT 6PIN	
.X	±0.15	.X	±2.°	日期 DATE	2020-05-22	核准 APPD	黄国荣	角法 VIEW	版本 VER	AD
.XX	±0.10	.XX	±1.°							
.XXX	±0.05	.XXX	±0.5.°							