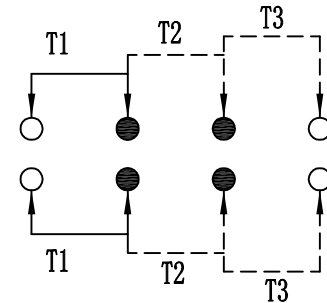
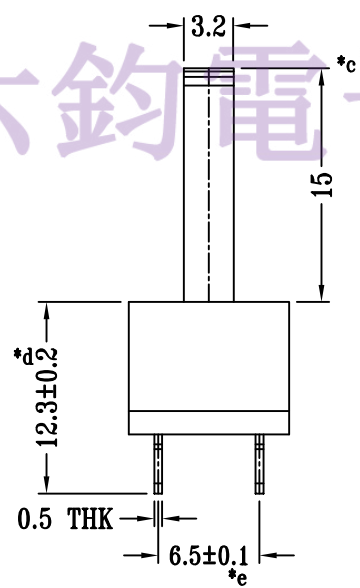
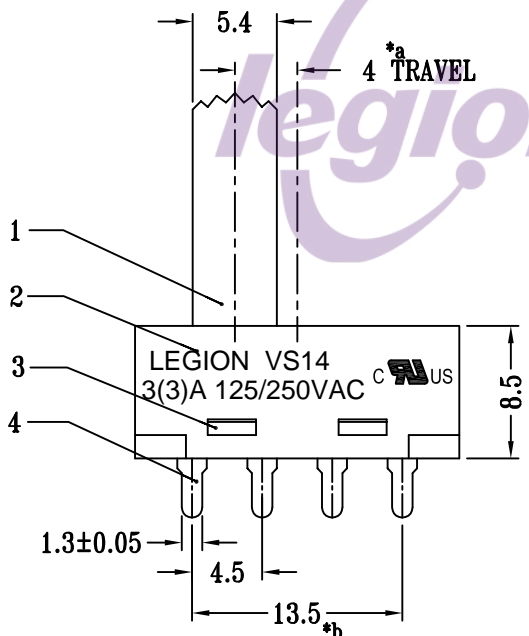
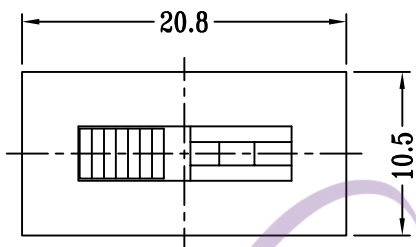
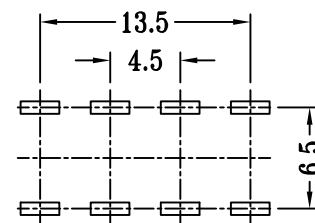


CAD FILE:

电话：0769-82310511-867
 邮箱：hooya89@hooya.hk



SCHEMATIC (NON-SHORTING)



P.C.B LAYOUT
 BOTTOM VIEW

注：“*”表示关键5个质量特性

NO.	PARTS	MATERIALS	Q'TY	FINISH	TOLERANCE UNLESS SPECIFIED		DESCRIPTIONS OF REVISION	
8					WITHIN 1.5mm	±0.1mm	A	2020-10-21
7	STEEL BALL	STEEL	1	NATURAL	OVER 1.5mm	±0.2mm	ISSUE	DATE
6	SPRING	STEEL WIRE	5	NATURAL	初版			
5	CONTACT	BRASS STRIP	2	Ag PLATED	曾鹏			
4	TERMINAL	BRASS STRIP	8	Ag PLATED	TITLE : VERTICAL SLIDE SWITCH		UNIT : mm	DRWG NO.: LT-DR-SS23H21G3FP-00
3	BASE	PPA+94V0	1	BLACK	MODEL: VS14-0123ZBZ03-15		SCALE: 2:1	DWN. 刘锦泳 2020-10-21
2	FRAME	PPA+94V0	1	BLACK	东莞市六钧电子五金有限公司			
1	KNOB	PPA+94V0	1	BLACK				
					CHK'D	曾小伟	2020-10-21	
					APPD.	曾鹏	2020-10-21	