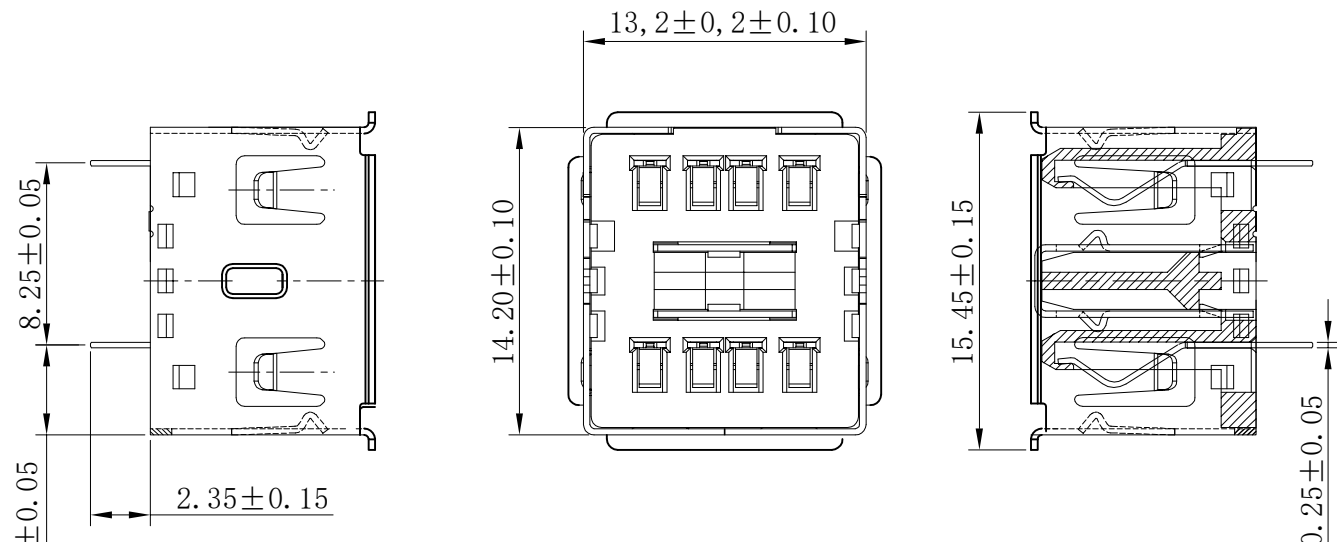
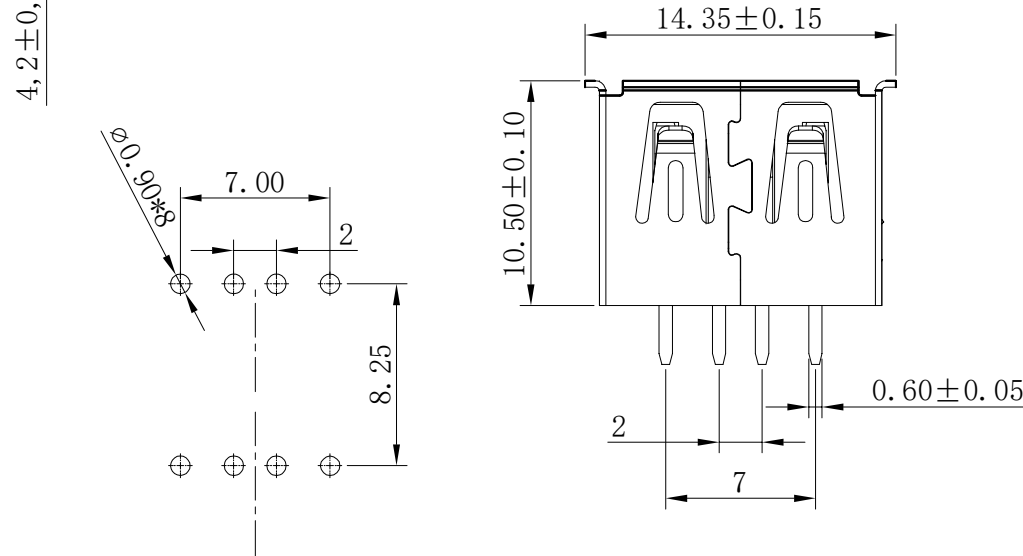


修 订 REV NO	标 记 MARK	修 改 描 要 REVISION DESCRIPTION	签 名 SIGNATURE	日 期 DATE
		NEW DWG		2016-03-12



- SPECIFICATIONS:
- ELECTRICAL CHARACTERISTICS:
 - CURRENT RATING: 1.8A (PIN1,4) ; OTHER CONTACTS 0.25A
 - CONTACT RESISTANCE: $30m\Omega$ MAX.
 - DIELECTRIC WITHSTANDING VOLTAGE: 100V AC FOR 1 MINUTE
 - INSULATION RESISTANCE: $100M\Omega$ MIN
 - MECHANICAL CHARACTERISTICS:
 - INSERTION FORCE : $1.0 \sim 3.57$ Kgf
 - WITHDRAWAL FORCE : $1.0 \sim 3.57$ Kgf
 - DURABILITY: 1500 CYCLES.
 - TO CONFORM TO SINGATRON HAZARDOUS SUBSTANCE FREE SPEC.
 - HALOGEN PRODUCT IDENTIFICATION LABEL ON PACKAGING:



REMARK	Pin Number	Signal ASSIGNMENT
USB2.0 CONTACT PIN	PIN 1	VBUS
	PIN 2	D-
	PIN 3	D+
	PIN 4	GND

NO	DESCRIPTION	QTY	MATERIAL	PLATING & COLOR
D	MID SHELL	1	SPCC T=0.30	NICKEL 60μ "MIN
C	TERMINAL	8	C2680 T=0.25	G/F ON MATING AREA, 100μ "MIN TIN PLATED ON SOLDERING 50μ "NICKEL UNDER PLATING OVERALL
B	SHELL	1	SPCC T=0.30	NICKEL 60μ "MIN
A	HOUSING	1	PBT UL94-V0	White

HDC 深圳市华德共创科技有限公司
Shenzhen Huade co-create Technology Co.,LTD
电话: 0755-23304126 传真: 0755-29940187

-TOLERANCES- UNLESS OTHERWISE SPECIFIED 公差参数表		TITLE: 产品名称: USB AF10.5双层卷边黑胶	
X.X	± 0.30	X.X*	$\pm 3^\circ$
X.XX	± 0.20	X.XX*	$\pm 2^\circ$
X.XXX	± 0.10	X.XXX*	$\pm 1^\circ$

APPD: 核准:	CHECK: 校对: 王建业	PART NO: 产品编号: USB-HXS-105DIP	DATE	SCALE	UNIT	CODE NUMBER
DRAW: 绘图: 黄艳兰	2016-03-12	1:1	mm	A001		

由 Autodesk 教育版产品制作

由 Autodesk 教育版产品制作

Recommended P.C.B Layout
TOLERANCE = ± 0.05 THICKNESS = 1.0mm