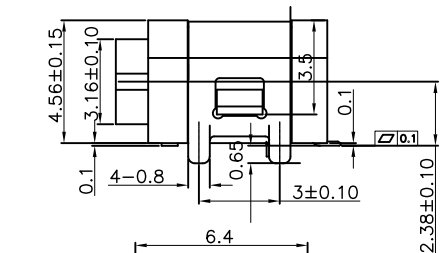
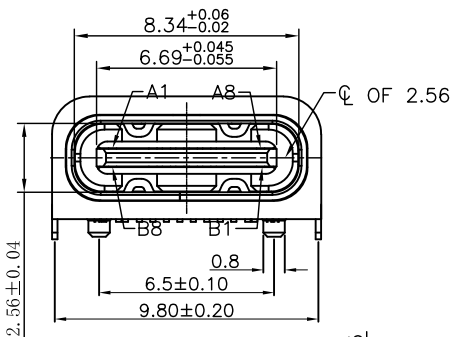


RECOMMENDED SCHEMATIC DRAWING OF CONNECTOR MATCH CHASSIS

NOTES:

SPECIFICATION:

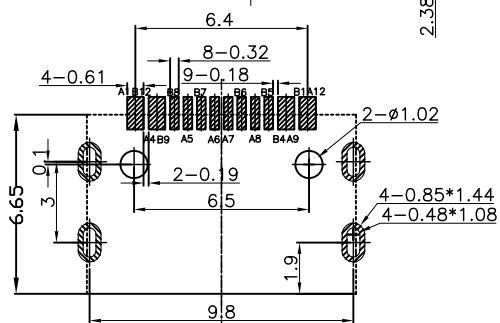
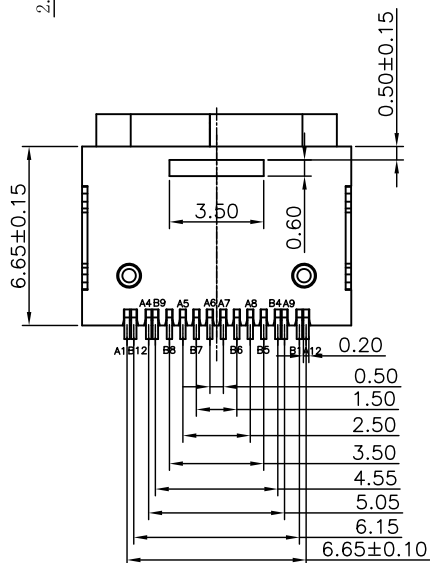
1. CURRENT RATING: 5.0A MAX
2. VOLTAGE: 30 VAC
3. TEMPERATURE RANGE: -30 °C ~ 85 °C
4. CONTACT RESISTANCE: 40 MILLIONHM MAX
5. INSULATION RESISTANCE: 100 MEGOHMS MIN.
6. INSERTION FORCE : 6N~20N
7. UNMATING FORCE: 8N~20N
8. DURABILITY: 10,000 CYCLES
9. WATER PROOFNESS: THIS PRODUCT IS BASED ON IPX8(1.5M 30min).
(防水等级IPX8 1.5米深 30分钟)



6	Run-RING	1PCS	Silica gel	BLACK
5	SHELL	1PCS	STAINLESS STEEL	NI Plated: 60u"MIN
4	SHIELDING PLATE	1PCS	STAINLESS STEEL	NI Plated: 60u"MIN
3	CONTACT	1SET	Brass	Contact Plating: Au (1u"-3u") Soldering Plating: Au 1u"
2	护套	1PCS	PA46	BLACK
1	胶芯	1PCS	LCP	BLACK
NO	DESCRIPTION	QTY	MATERIAL	REMARKS

深圳市华宇创精密电子有限公司

TOLERANCE: X.X ±0.30 X.XX ±0.25 X.XXX ±0.15 X' ±2' X.X' ±0.5'	DRAWN BY : 陈一鸣	DATE : 2014-02-23	PART NAME: USB TYPE C 防水母座16P 板上SMT L=7.85带柱短脚
	CHECKED BY : 马跃	DATE : 2014-02-23	PART NO. : HYCW412-USBC16-065B
	APPROVED BY : 邱敏	DATE : 2014-02-23	PART NO. : MOLD NO. : DRAW NO. : HVC-2212191741 SHEET NO. : 1 OF 1



RECOMMENDED PCB LAYOUT
Tolerance: ±0.05mm

USB TYPE-C PIN ASSIGNMENTS

PIN NUMBER	SIGNAL NAME	PIN NUMBER	SIGNAL NAME
A1	GND	B12	GND
A4	VBUS	B9	VBUS
A5	CC1	B8	SBU2
A6	Dp1	B7	Dn2
A7	Dn1	B6	Dp2
A8	SBU1	B5	CC2
A9	VBUS	B4	VBUS
A12	GND	B1	GND