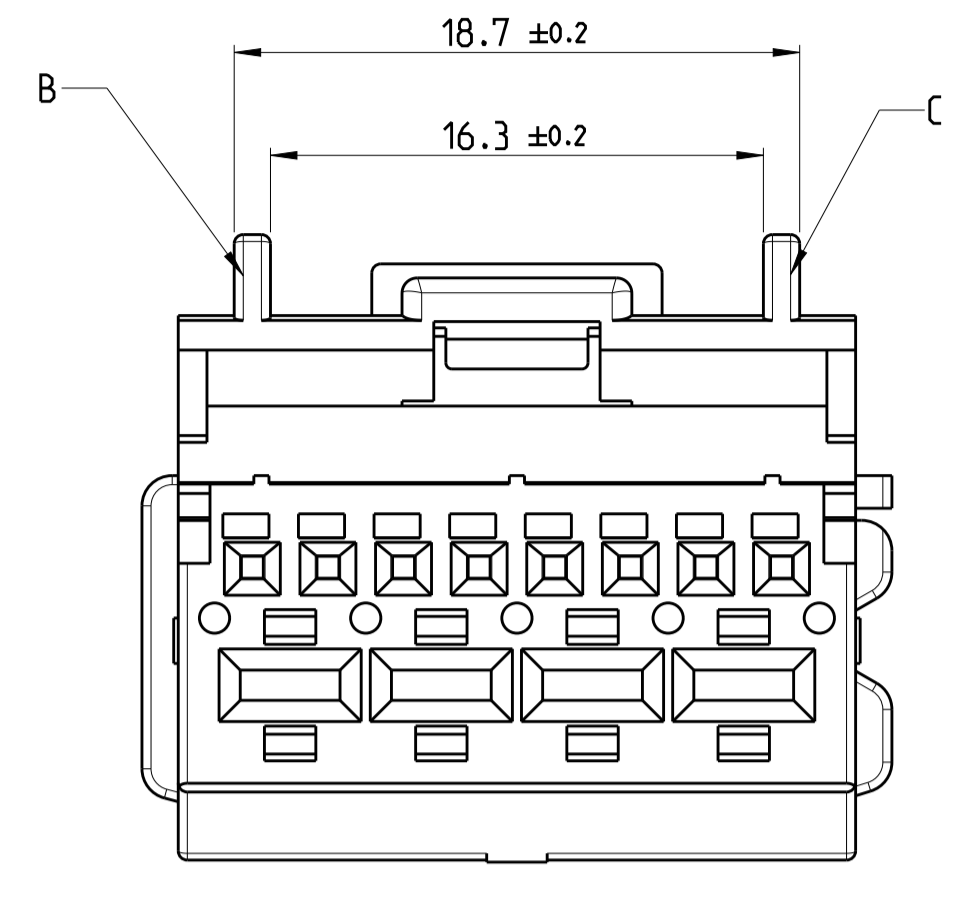
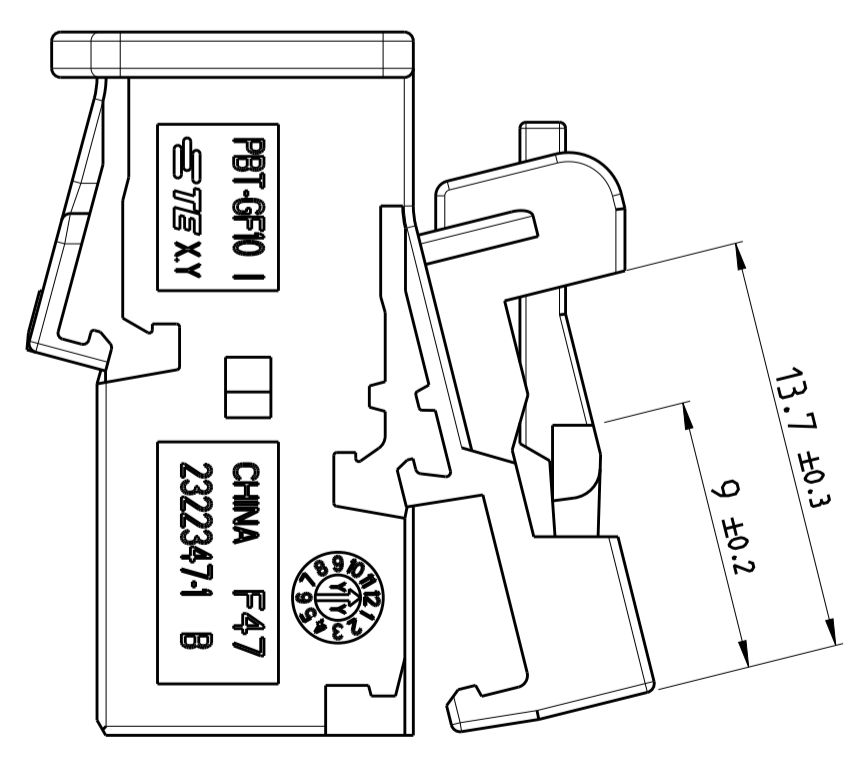
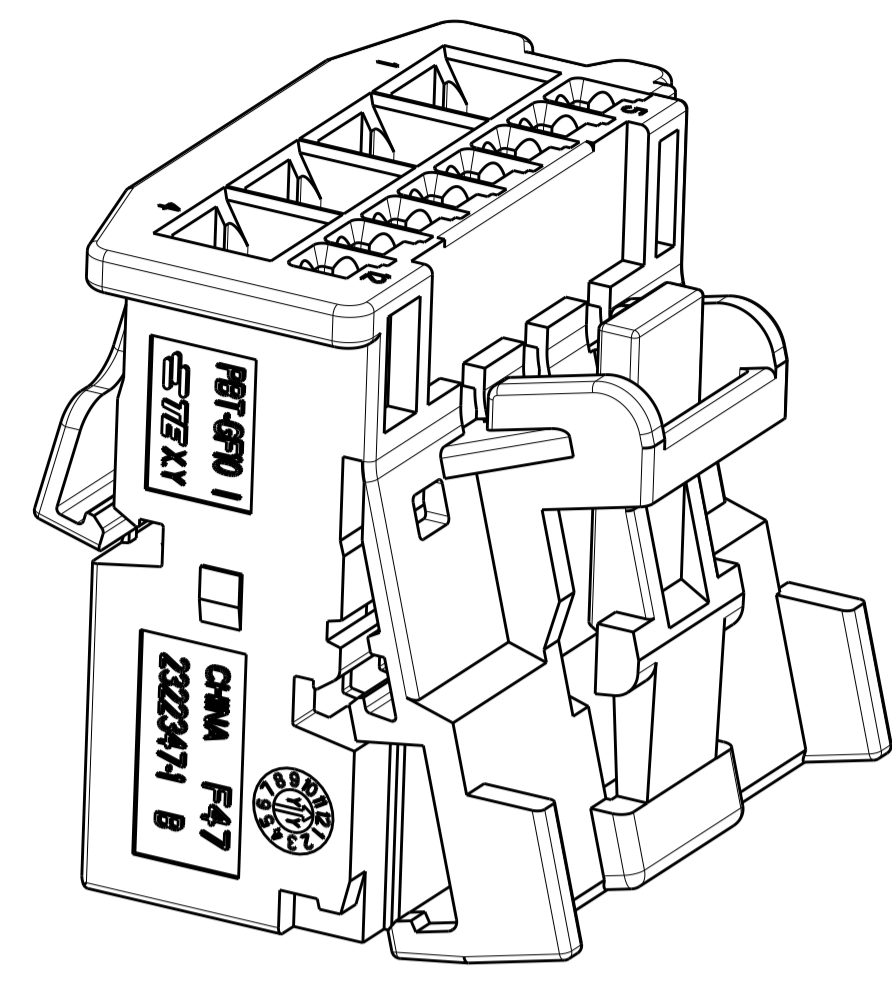
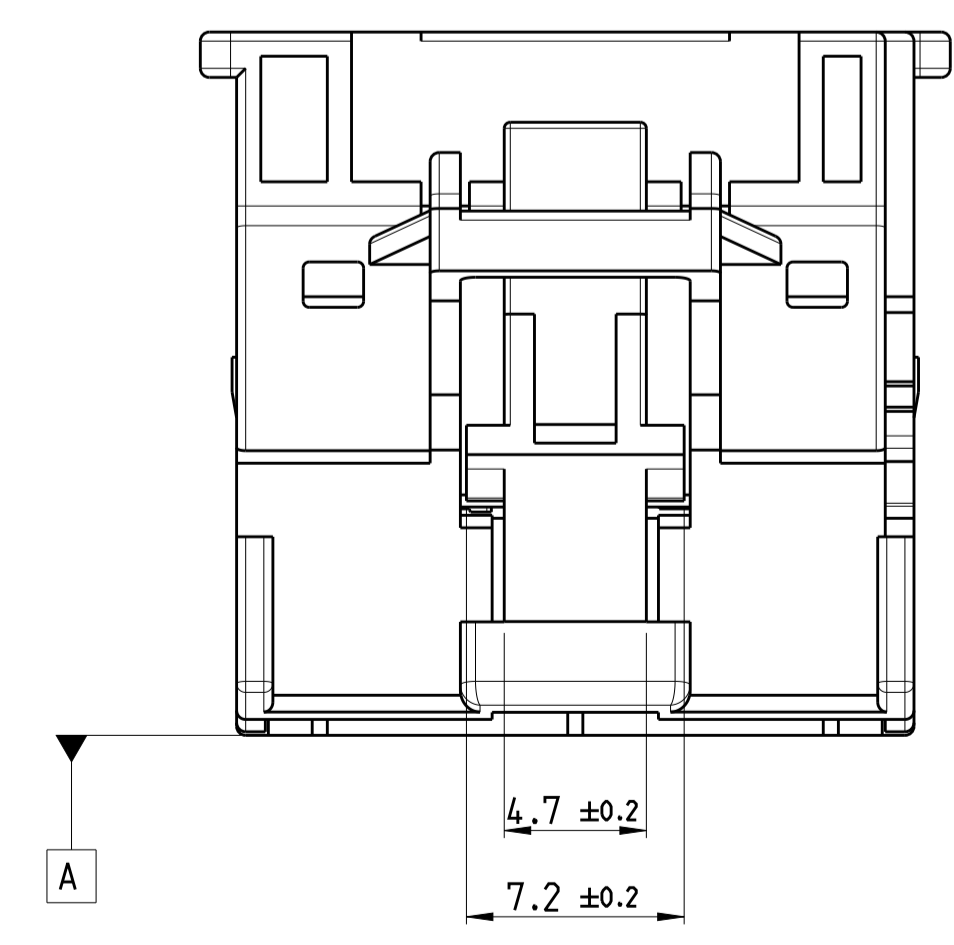
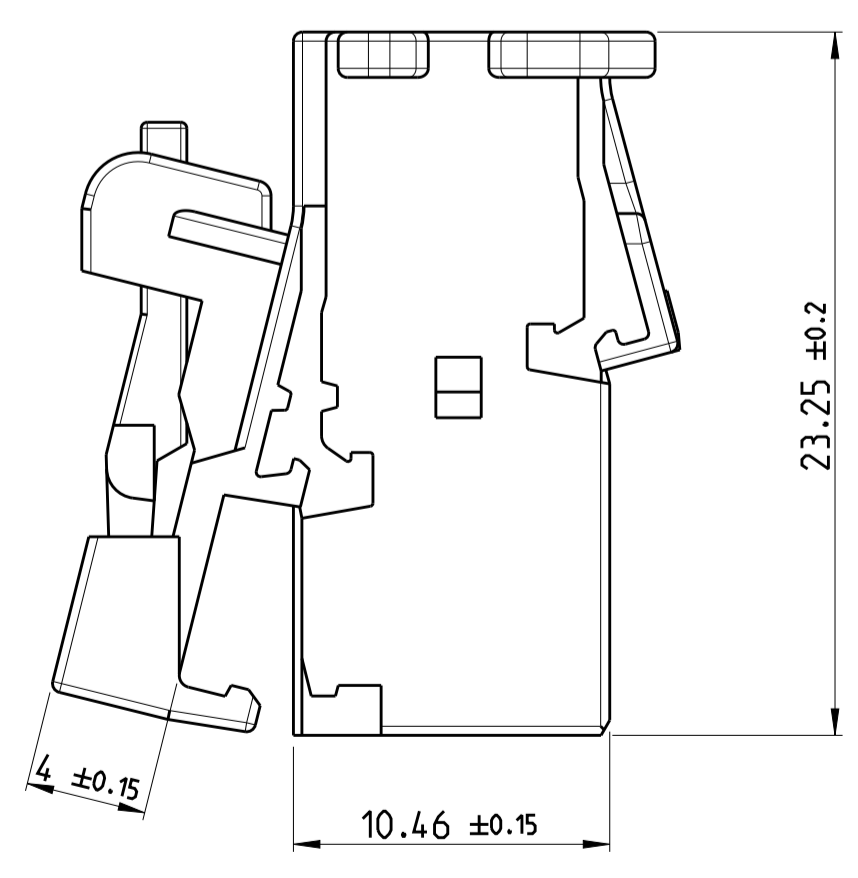
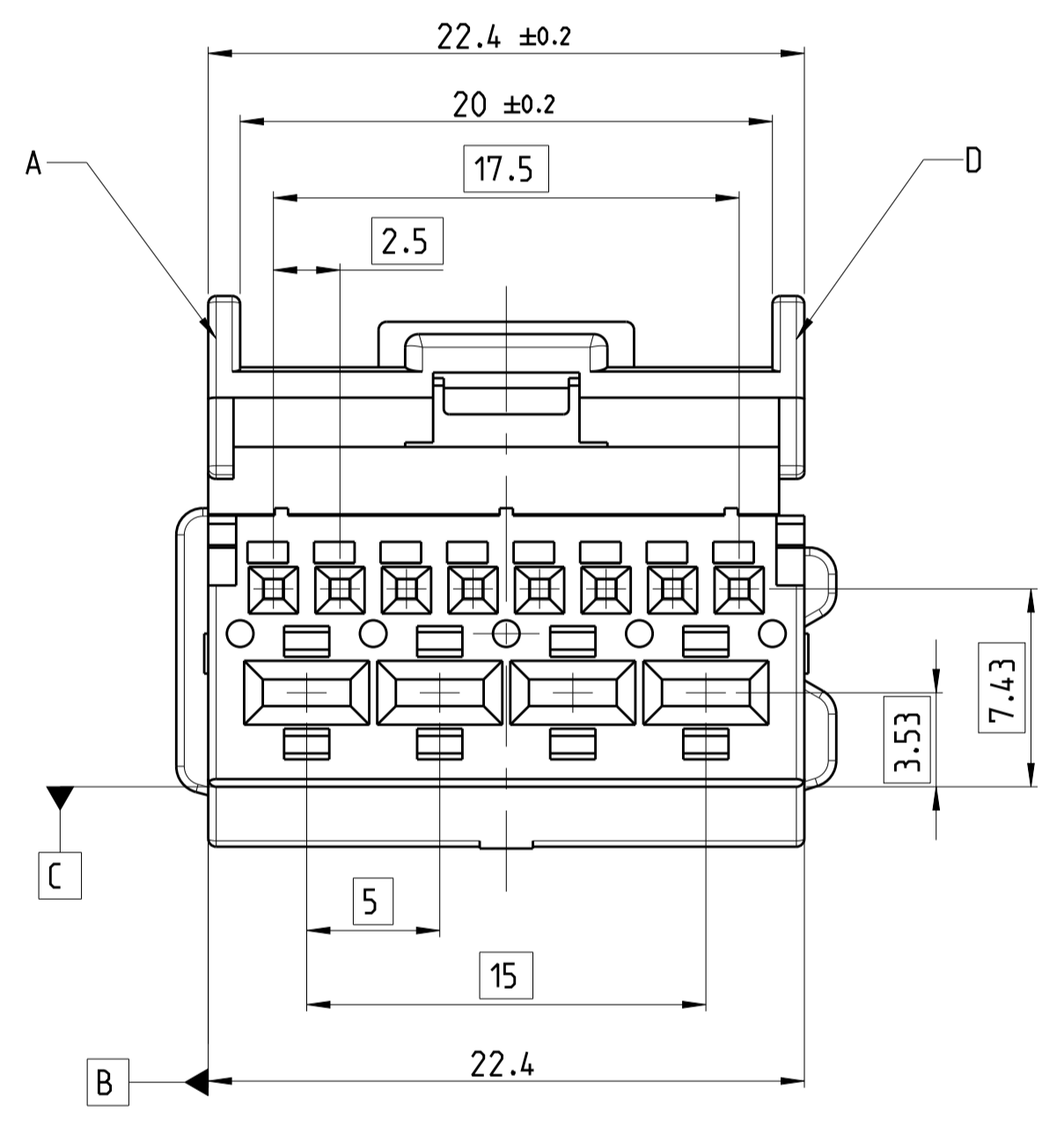


② CODING B,C  
 2322347-2 AS SHOWN

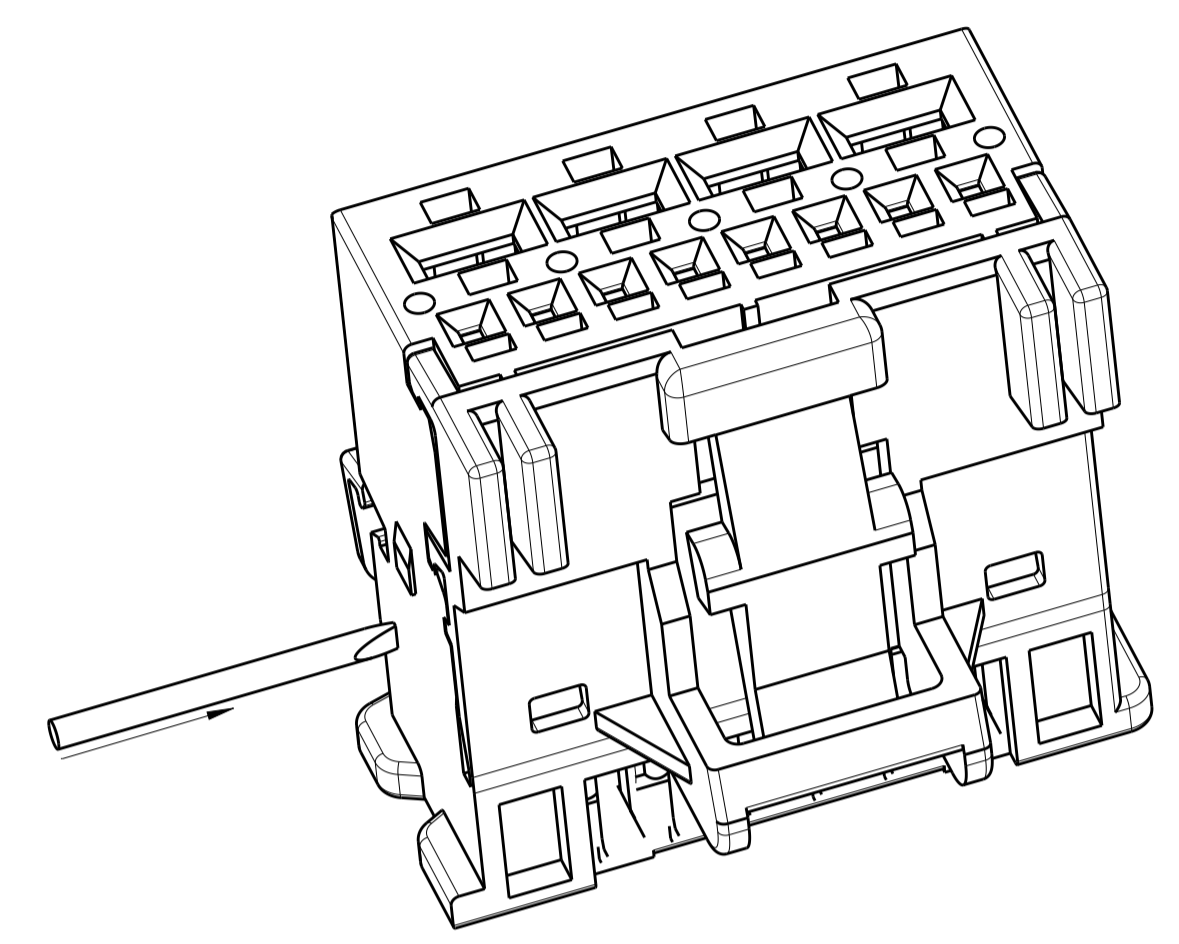


① CODING A,D  
 2322347-1 AS SHOWN



REVISIONS				
P	LTR	DESCRIPTION	DATE	DWN APVD
A		NEW PRODUCT RELEASED	31AUG2017	T.D I.Y
B		ECR-19-004905	13JUN2019	J.L I.Y

RETAINER CLOSED PICTURE



⑥ OPEN GUIDE:  
 TO OPEN THE LOCKED RETAINER, USE A Ø 1X0.18MM SCREWDRIVER AND PUSH IT IN THE SHOWN OPENING.

NOTES

- 1 MATING PART EXECUTION TO INTERFACE 114-101068
- 2 SUITABLE CONTACT  
 MQS: 1355717, 928999, 963715  
 MCP2.8K: 1241386, 1241388, 1241390
- 3 SUITABLE MATING HOUSING 2311788/2321709
- 4 MATERIAL REMOVAL OPTIONAL IN EXECUTION AND POSITION ACC. TO MANUFACTURE POSSIBLE
- 5 PACKAGE: LOOSE PIECE IN CARTON BOX
- ⑥ CONDITION ON DELIVERY:  
 SECONDARY LOCK DEVICE SHOULD BE IN PRELOCK POSITION  
 --IF IN ENDOCK POSITION AFTER TRANSPORTATION,  
 PLEASE REOPEN IT IN ACCORDANCE THE OPENING GUIDE

TE-PART NO	REV.	COD.	MATERIAL	COLOUR	RAL	VOLUME [cm <sup>3</sup> ]	WEIGHT [g]	POS.
2322347-4	B	B.D	PBT-GF10	BLUE	5012	1.976	2.71	4
2322347-3	B	A.C	PBT-GF10	GREEN	6018	1.976	2.71	3
2322347-2	B	B.C	PBT-GF10	BROWN	1011	1.976	2.71	2
2322347-1	B	A.D	PBT-GF10	BLACK	9011	1.976	2.71	1

THIS DRAWING IS A CONTROLLED DOCUMENT.		DWN T.DONG 16AUG2017	
DIMENSIONS: mm		CHK E.JIANG 31AUG2017	
TOLERANCES UNLESS OTHERWISE SPECIFIED		APVD L.YIN 31AUG2017	NAME
0 PLC ±		HYBRID MQS 8POS./MCP2.8K 4POS..	
1 PLC ±		REC.. HSG.	
2 PLC ±		SIZE CAGE CODE DRAWING NO RESTRICTED TO	
3 PLC ±		A1 00779 C=2322347	
4 PLC ±		SCALE 4:1 SHEET 1 OF 1 REV B	
5 PLC ±		CUSTOMER DRAWING	
6 BCC ±			
FINISH			
MATERIAL SEE TABLE			
FINISH SEE TABLE			