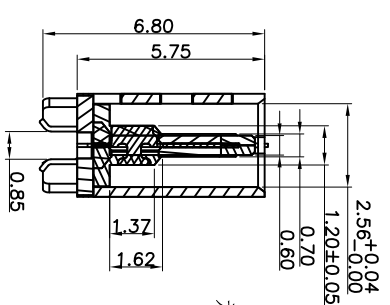
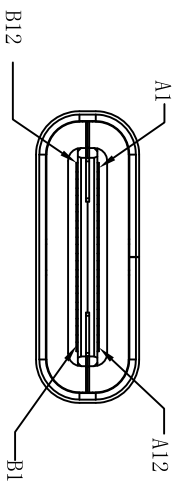
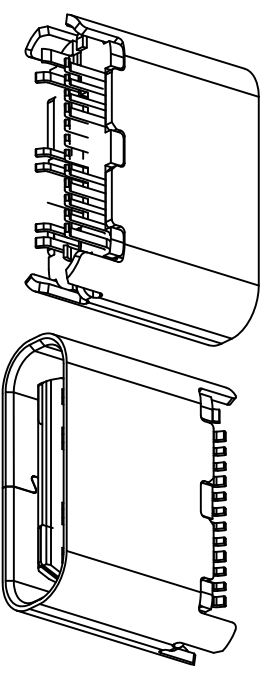
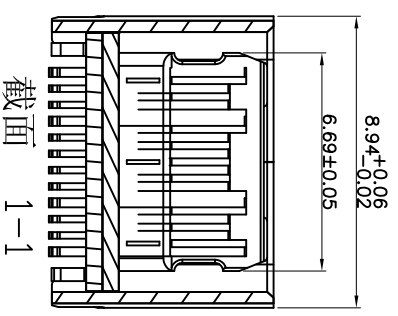
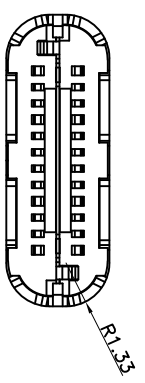
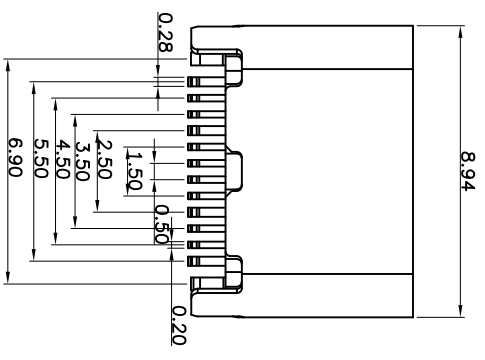
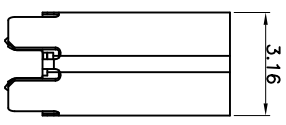
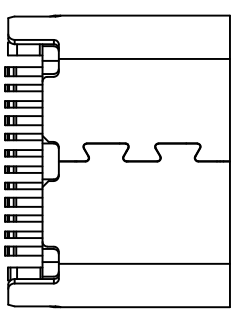


REV.	ECON. NO.	APPD.
A		



截面 A-A



截面 1-1

NOTES:

- 1.MATERIAL:  
MOLDING: LCP UL94 V-0  
CONTACT: COPPER ALLOY,  
GOLD PLATED Min ON CONTACT AREA, 100u"  
Min TIN (LEAD FREE) ON SOLDER AREA,  
SHELL: SUS304-H,T=0.30±0.03mm  
50u" NICKEL PLATING OVER ALL.  
SHLD:SUS304-H,T=0.12±0.03mm
- 2.MECHANICAL:  
INSERTION: 5~20N,  
EXTRACTION: 8~20N AFTER TEST.  
DURABILITY: 10000 CYCLES
- 3.ELECTRICAL:  
CURRENT: 5A FOR VBUS;  
1.25A FOR GND PIN,  
0.25A FOR OTHER.  
VOLTAGE: 20 V MAX  
WITHSTANDING VOLTAGE: 100V AC R.M.S.  
CONTACT RESISTANCE: 40mΩ MAX.  
INSULATION RESISTANCE: 100MΩ MIN.  
4.ENVIRONMENTAL  
TEMPERATURE RANGE -25°C ~ +85°C

X.	±0.30	X°	±5°	UNITS	mm
.X	±0.20	.X°	±2°	MAT'L	
.XX	±0.10	.XX°	±1°	FINISH	
.XXX	±0.05	.XXX°	±0.5°	QTY	

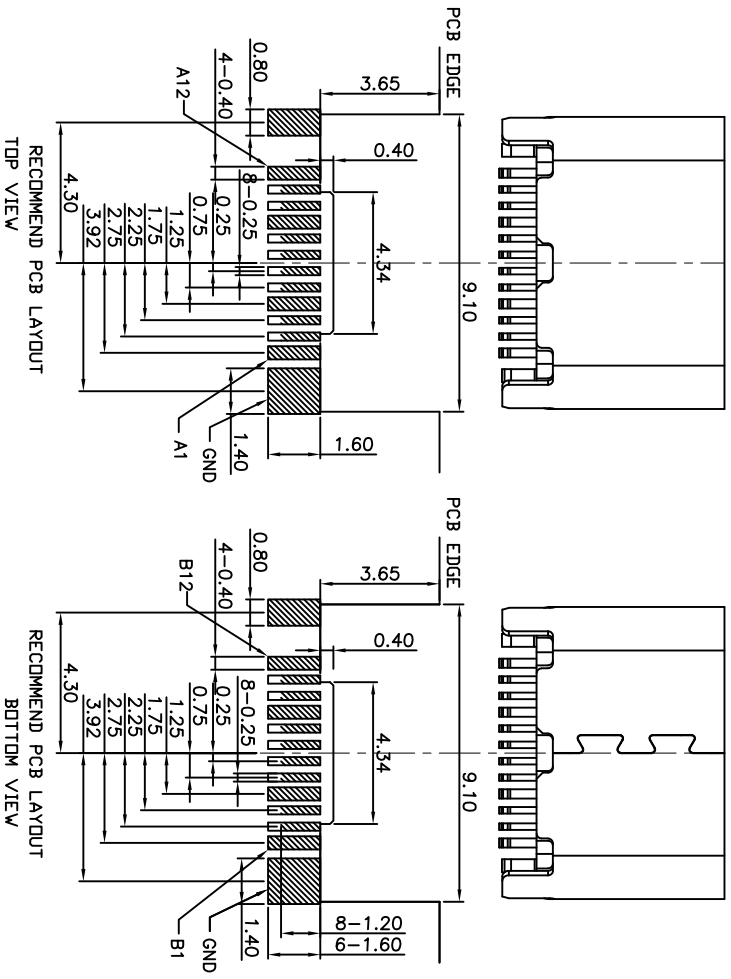
NAME (INTENDED USE)	
PART NO. (INTENDED USE)	
APPD:	SUNNY
CHKD:	USA
DR:	ZOE 2022-06-10

DWG NO.:		MINTRON CO., LTD.	
TITLE:		00302-UCAT001-X	
TYPE C母座夹板24P 短板(=5.7MM)		SCALE	SHEET
		1/1	1/1
		REV.	A

REV.	ECN. NO.	APPD.
A		

USB TYPE-C FULL-FEATURED RECEPTACLE INTERFACE PIN ASSIGNMENTS

Pin	Signal Name	Description	Pin	Signal Name	Description
A1	GND	Ground return	B12	GND	Ground return
A2	SSTRxp1	Positive half of first SuperSpeed TX differential pair	B11	SSRXp1	Positive half of first SuperSpeed RX differential pair
A3	SSTRxn1	Negative half of first SuperSpeed TX differential pair	B10	SSRXn1	Negative half of first SuperSpeed RX differential pair
A4	Vbus	Bus Power	B9	Vbus	Bus Power
A5	CC1	Configuration Channel	B8	SRU2	Sideband Use (SRU)
A6	Dp1	Positive half of the USB 2.0 differential pair-Position 1	B7	Dn2	Negative half of the USB 2.0 differential pair-Position 2
A7	Dn1	Negative half of the USB 2.0 differential pair-Position 1	B6	Dp2	Positive half of the USB 2.0 differential pair-Position 2
A8	SRU1	Sideband Use (SRU)	B5	CC2	Configuration Channel
A9	Vbus	Bus Power	B4	Vbus	Bus Power
A10	SSRXn2	Negative half of second SuperSpeed RX differential pair	B3	SSTXn2	Negative half of second SuperSpeed TX differential pair
A11	SSRXp2	Positive half of second SuperSpeed RX differential pair	B2	SSTXp2	Positive half of second SuperSpeed TX differential pair
A12	GND	Ground return	B1	GND	Ground return



RECOMMENDED P.C.B. LAYOUT (T:0.80mm)  
TOLERANCE UNSPECIFIED ±0.05mm

X.	±0.30	X.°	±5°	UNITS	mm	NAME(INTENDED USE)	MINTRON CO.,LTD.
.X	±0.20	.X°	±2°	MATL		TITLE:	
.XX	±0.10	.XX°	±1°	FINISH		PART NO.(INTENDED USE)	00302-UCAF001-X
.XXX	±0.05	.XXX°	±0.5°	QTY		APPD:	SUNNY
TYPE C CONNECTOR				DR:	ZOE	CHKD:	LISA
				DR:	ZOE	2022-06-10	DWG NO.:
						TYPE C母座夹板24P 短体L=5.7MM	
				SCALE	1/1	SHEET	1/1
				REV.		REV.	A