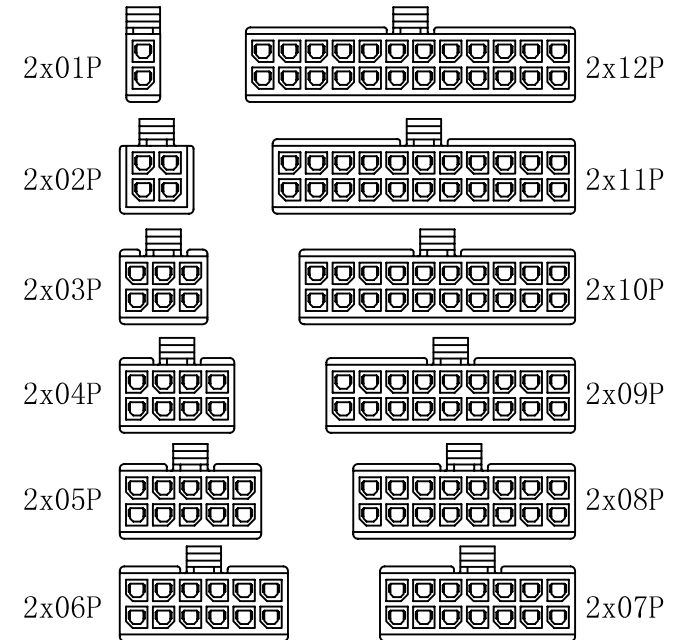
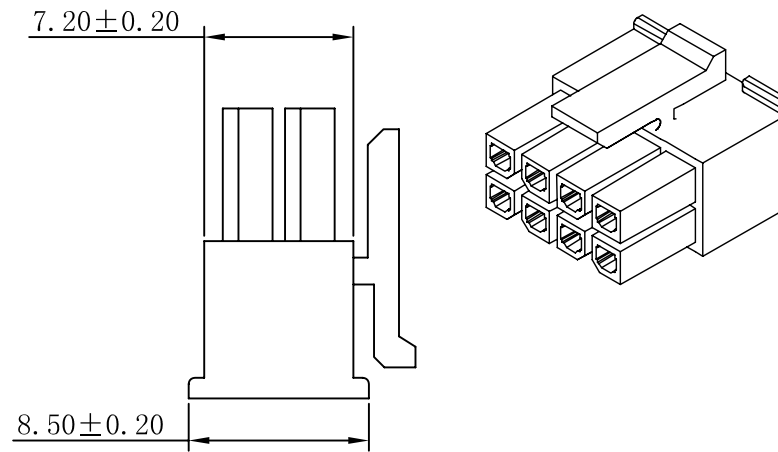
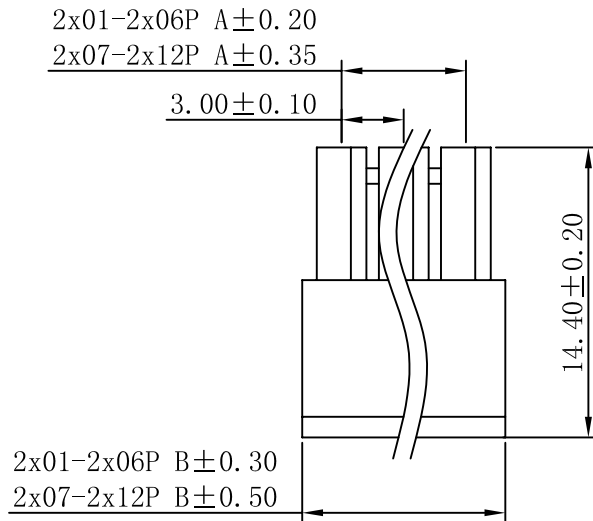
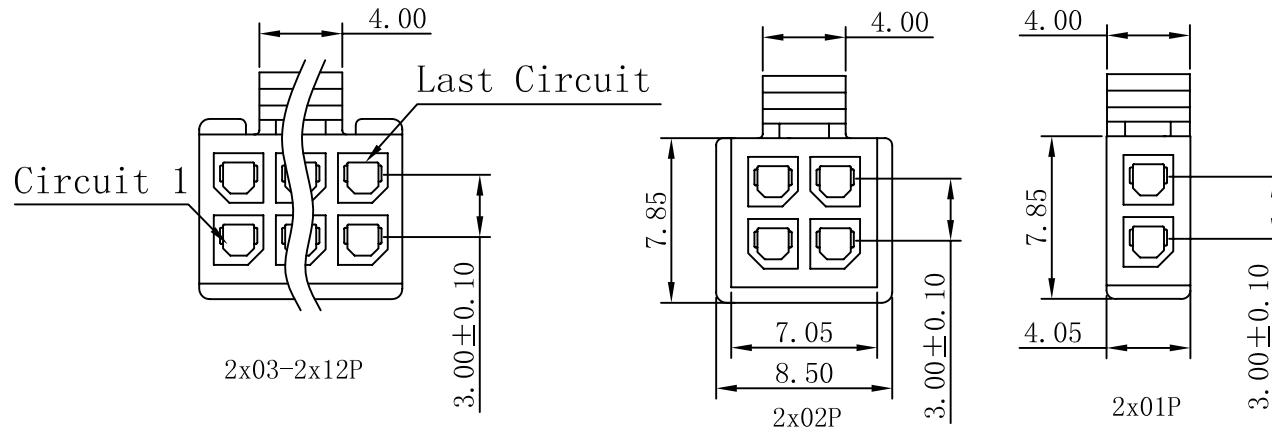


SPECIFICATIONS (规格)

- Voltage Rating (额定电压): 250V AC, DC
- Current Rating (额定电流): 5A, AC, DC
- Withstanding Voltage (耐电压): 1500V AC/minute
- Insulation Resistance (绝缘电阻): 1000MΩ min
- Temperature Range (工作温度): -25° C ~ +85° C
- Contact Resistance (接触电阻): 10mΩ max
- Material:
- Insulator: Nylon 66 UL94V-2 Black



Part No	Dimensions (mm)	
	A	B
2x01P	---	4.05
2x02P	3.00	7.05
2x03P	6.00	10.05
2x04P	9.00	13.05
2x05P	12.00	16.05
2x06P	15.00	19.05
2x07P	18.00	22.05
2x08P	21.00	25.05
2x09P	24.00	28.05
2x10P	27.00	31.05
2x11P	30.00	34.05
2x12P	33.00	37.05

RoHS Compliant

一般公差 GENERAL TOLERANCE:	.0 ± 0.20 .00 ± 0.15 .000 ± 0.05	投影法 Projection		品名 (PART NAME)	Pitch 3.0mm 公Housing 2xNP
绘图/DR	chen	单位 Unit	MM	料号 (PART NO)	
核准/APPD	陈旺	比例 Scale	1/1		
日期/DATE	2015-7-17	版本 Rev	A		

A	新规格作成	2015-7-17	chen
REV.	变更内容/DESCRIPTION	日期/DATE	BY