

1. FEATURES

- 0V to 76V input common mode
- Low 8 μ V (typ) input offset voltage
- Low 0.1% (max) gain error
- Gain options
 - G = 10V/V (CSA231-10)
 - G = 20V/V (CSA231-20)
 - G = 50V/V (CSA231-50)
 - G = 100V/V (CSA231-100)
- SOIC-8 package
- TSSOP-8 package

2. APPLICATIONS

- Base stations and communication equipment
- Power management systems
- Server backplanes
- Industrial control and automation
- Battery current sensing

3. DESCRIPTION

The CSA231 bidirectional high-side current-sense amplifier has precision accuracy specifications of V_{OS} less than 10 μ V (typ) and gain error less than 0.1% (max).

The CSA231 features an input common-mode voltage range from 0V to 76V with 90kHz of small-signal bandwidth, which makes it ideal for interfacing with an ADC for multichannel multiplexed data acquisition systems.

The CSA231 operates over the -40°C to 125°C temperature range. See [Table 1](#) for the order information.

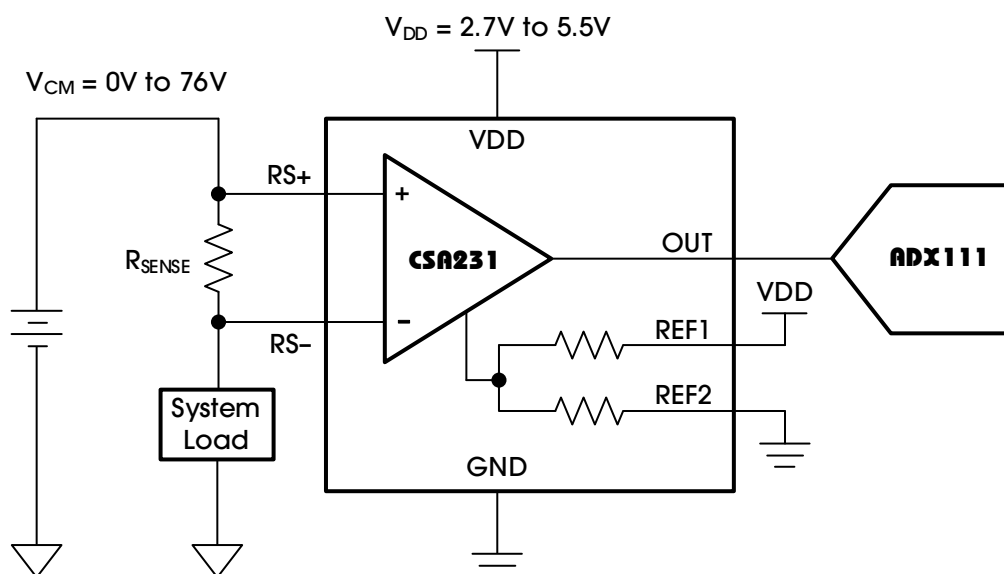


Table 1 lists the order information.

Table 1. Order Information

| ORDER NUMBER ⁽¹⁾ | PART NUMBER | CH (#) | PKG. | BIDIRECTIONAL | MARK | GAIN (TYP) (V/V) | GBW (kHz) | RATING | OP. TEMP (°C) | PKG. OPTION |
|-------------------------------|-------------|--------|---------|---------------|----------|------------------|-----------|----------|---------------|-------------|
| CSA231LASOIC8 ⁽²⁾ | CSA231-10 | 1 | SOIC-8 | Yes | CSA231LA | 10 | 90 | Industry | -40-125 | T/R-4000 |
| CSA231MASOIC8 | CSA231-20 | 1 | SOIC-8 | Yes | CSA231MA | 20 | 90 | Industry | -40-125 | T/R-4000 |
| CSA231NASOIC8 | CSA231-50 | 1 | SOIC-8 | Yes | CSA231NA | 50 | 90 | Industry | -40-125 | T/R-4000 |
| CSA231PASOIC8 ⁽²⁾ | CSA231-100 | 1 | SOIC-8 | Yes | CSA231PA | 100 | 90 | Industry | -40-125 | T/R-4000 |
| CSA231LATSSOP8 ⁽²⁾ | CSA231-10 | 1 | TSSOP-8 | Yes | CSA231LA | 10 | 90 | Industry | -40-125 | T/R-4000 |
| CSA231MATSSOP8 | CSA231-20 | 1 | TSSOP-8 | Yes | CSA231MA | 20 | 90 | Industry | -40-125 | T/R-4000 |
| CSA231NATSSOP8 | CSA231-50 | 1 | TSSOP-8 | Yes | CSA231NA | 50 | 90 | Industry | -40-125 | T/R-4000 |
| CSA231PATSSOP8 ⁽²⁾ | CSA231-100 | 1 | TSSOP-8 | Yes | CSA231PA | 100 | 90 | Industry | -40-125 | T/R-4000 |

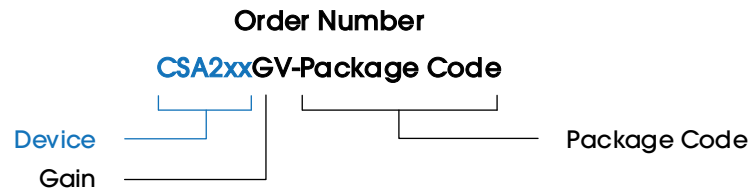
Table 2. Family Selection Guide

| ORDER NUMBER ⁽¹⁾ | PART NUMBER | CH (#) | PKG. | BIDIRECTIONAL | MARK | GAIN (TYP) (V/V) | GBW (kHz) | RATING | OP. TEMP (°C) | PKG. OPTION |
|-------------------------------|-------------|--------|---------|---------------|----------|------------------|-----------|----------|---------------|-------------|
| CSA220LASOT235 ⁽²⁾ | CSA220-10 | 1 | SOT23-5 | No | CSA220LA | 10 | 60 | Industry | -40-125 | T/R-3000 |
| CSA220MASOT235 ⁽²⁾ | CSA220-20 | 1 | SOT23-5 | No | CSA220MA | 20 | 60 | Industry | -40-125 | T/R-3000 |
| CSA220NASOT235 | CSA220-50 | 1 | SOT23-5 | No | CSA220NA | 50 | 60 | Industry | -40-125 | T/R-3000 |
| CSA220PASOT235 ⁽²⁾ | CSA220-100 | 1 | SOT23-5 | No | CSA220PA | 100 | 60 | Industry | -40-125 | T/R-3000 |
| CSA221LASOIC8 ⁽²⁾ | CSA221-10 | 1 | SOIC-8 | Yes | CSA221LA | 10 | 60 | Industry | -40-125 | T/R-4000 |
| CSA221MASOIC8 | CSA221-20 | 1 | SOIC-8 | Yes | CSA221MA | 20 | 60 | Industry | -40-125 | T/R-4000 |
| CSA221NASOIC8 | CSA221-50 | 1 | SOIC-8 | Yes | CSA221NA | 50 | 60 | Industry | -40-125 | T/R-4000 |
| CSA221PASOIC8 ⁽²⁾ | CSA221-100 | 1 | SOIC-8 | Yes | CSA221PA | 100 | 60 | Industry | -40-125 | T/R-4000 |
| CSA221LATSSOP8 ⁽²⁾ | CSA221-10 | 1 | TSSOP-8 | Yes | CSA221LA | 10 | 60 | Industry | -40-125 | T/R-4000 |
| CSA221MATSSOP8 | CSA221-20 | 1 | TSSOP-8 | Yes | CSA221MA | 20 | 60 | Industry | -40-125 | T/R-4000 |
| CSA221NATSSOP8 | CSA221-50 | 1 | TSSOP-8 | Yes | CSA221NA | 50 | 60 | Industry | -40-125 | T/R-4000 |
| CSA221PATSSOP8 ⁽²⁾ | CSA221-100 | 1 | TSSOP-8 | Yes | CSA221PA | 100 | 60 | Industry | -40-125 | T/R-4000 |
| CSA230LASOT235 ⁽²⁾ | CSA230-10 | 1 | SOT23-5 | No | CSA230LA | 10 | 90 | Industry | -40-125 | T/R-3000 |
| CSA230MASOT235 | CSA230-20 | 1 | SOT23-5 | No | CSA230MA | 20 | 90 | Industry | -40-125 | T/R-3000 |
| CSA230NASOT235 | CSA230-50 | 1 | SOT23-5 | No | CSA230NA | 50 | 90 | Industry | -40-125 | T/R-3000 |
| CSA230PASOT235 ⁽²⁾ | CSA230-100 | 1 | SOT23-5 | No | CSA230PA | 100 | 90 | Industry | -40-125 | T/R-3000 |

Devices can be ordered via the following two ways:

1. Place orders directly on our website (www.analogsemi.com), or;
2. Contact our sales team by mailing to sales@analogsemi.com.

Note 1:



Note 2: Available in the future.

4. PIN CONFIGURATION AND FUNCTIONS

Figure 1 illustrates the pin configuration.

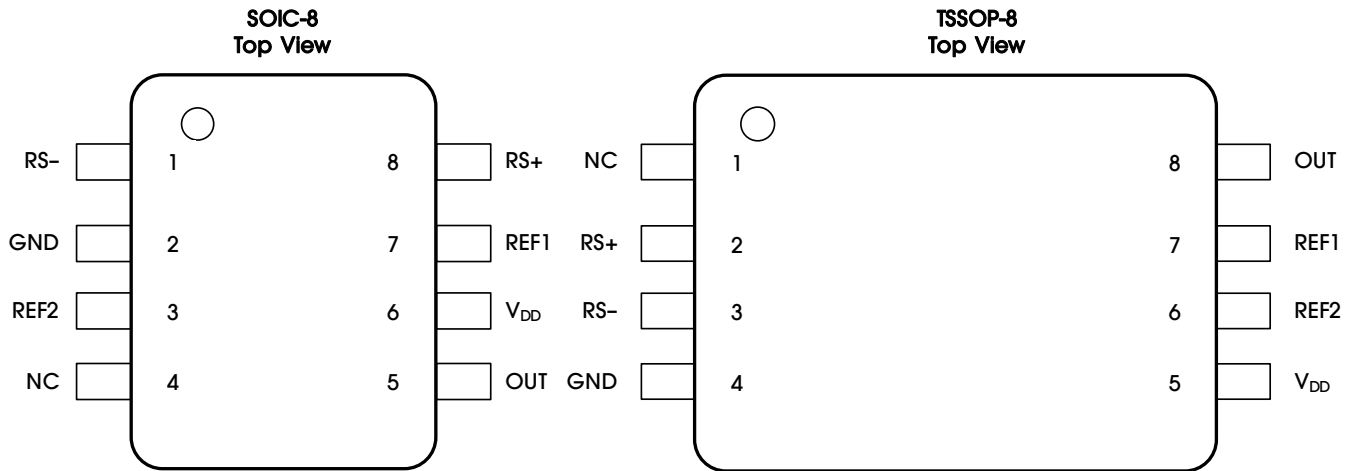


Figure 1. Pin Configuration

Table 3 lists the pin functions.

Table 3. Pin Functions

| POSITION | | NAME | TYPE | DESCRIPTION |
|----------|---------|-----------------|--------|---|
| SOIC-8 | TSSOP-8 | | | |
| 1 | 3 | RS- | Input | External resistor load-side connection |
| 2 | 4 | GND | Power | Ground |
| 3 | 6 | REF2 | Input | Reference voltage input 2. Typically connected to GND. |
| 4 | 1 | NC | — | Do not connect |
| 5 | 8 | OUT | Output | Output. Refer to 1/2 (REF1 + REF2). |
| 6 | 5 | V _{DD} | Power | Supply voltage, connecting at least 100nF capacitor to GND. |
| 7 | 7 | REF1 | Input | Reference voltage input 1. Typically connected to V _{DD} . |
| 8 | 2 | RS+ | Input | External resistor power-side connection |

5. SPECIFICATIONS

5.1 ABSOLUTE MAXIMUM RATINGS

Table 4 lists the absolute maximum ratings of the CSA231.

Table 4. Absolute Maximum Ratings

| PARAMETER | DESCRIPTION | MIN | MAX | UNITS |
|-------------|------------------------------------|--|-----------------------|-------|
| Voltage | V _{DD} to GND | -0.3 | 6.0 | V |
| | RS+, RS- to GND | -0.3 | 80 | |
| | REF1, REF2 to GND | -0.3 | V _{DD} + 0.3 | |
| | RS+ to RS- | 1s maximum duration due to package thermal dissipation | | |
| Current | Continuous input current (any pin) | -20 | 20 | mA |
| Temperature | Operating, T _A | -40 | 125 | °C |
| | Junction, T _J | | 150 | |
| | Storage, T _{stg} | -65 | 150 | |
| | Lead (soldering, 10s) | | 300 | |
| | Soldering (reflow) | | 260 | |

Note: Stresses beyond those listed under Table 4 may cause permanent damage to the device. These are stress ratings only, which do not imply functional operation of the device at these or any other conditions beyond those indicated under Table 6. Exposure to absolute-maximum-rated conditions for extended periods may affect device reliability.

5.2 ESD RATINGS

Table 5 lists the ESD ratings of the CSA231.

Table 5. ESD Ratings

| PARAMETER | SYMBOL | DESCRIPTION | VALUE | UNITS |
|-------------------------|--------------------|--|-------|-------|
| Electrostatic Discharge | V _(ESD) | Human-body model (HBM), per ANSI/ESDA/JEDEC JS-001 ⁽¹⁾ | ±6000 | V |
| | | Charged-device model (CDM), per JEDEC specification JESD22-C101 ⁽²⁾ | ±1000 | |

Note 1: The JEDEC document JEP155 indicates that 500V HBM allows safe manufacturing with a standard ESD control process.

Note 2: The JEDEC document JEP157 indicates that 250V CDM allows safe manufacturing with a standard ESD control process.

5.3 RECOMMENDED OPERATING CONDITIONS

Table 6 lists the recommended operating conditions for the CSA231.

Table 6. Recommended Operating Conditions

| PARAMETER | DESCRIPTION | SYMBOL | MIN | NOM | MAX | UNITS |
|---------------------------------------|------------------------|-----------------|-----|-----|-----|-------|
| POWER SUPPLY | | | | | | |
| Power Supply | V _{DD} to GND | V _{DD} | 2.7 | 3.3 | 5.5 | V |
| ANALOG INPUTS | | | | | | |
| V _{RS+} and V _{RS-} | To GND | | 0 | | 76 | V |
| V _{RS+} - V _{RS-} | | | -1 | | +1 | V |
| TEMPERATURE RANGE | | | | | | |
| Operating Ambient Temperature | | T _A | -40 | | 125 | °C |

5.4 THERMAL INFORMATION

Table 7 lists the thermal information for the CSA231.

Table 7. Thermal Information

| PARAMETER | SYMBOL | SOIC-8 | TSSOP-8 | UNITS |
|--|-----------------------|--------|---------|-------|
| Junction-to-Ambient Thermal Resistance | R _{θJA} | 90.6 | 187 | °C/W |
| Junction-to-Board Thermal Resistance | R _{θJB} | 47.6 | 120 | °C/W |
| Junction-to-Case (Top) Thermal Resistance | R _{θJC(top)} | 35 | 46 | °C/W |
| Junction-to-Case (Bottom) Thermal Resistance | R _{θJC(bot)} | 50.8 | 82 | °C/W |
| Junction-to-Top Characterization Parameter | Ψ _{JT} | 3.6 | 1 | °C/W |
| Junction-to-Board Characterization Parameter | Ψ _{JB} | 47 | 118 | °C/W |

5.5 ELECTRICAL CHARACTERISTICS

Table 8 lists the electrical characteristics of the CSA231. $V_{RS+} = V_{RS-} = 76V$, $V_{DD} = 3.3V$, $REF1 = V_{DD}$, $REF2 = GND$, $V_{SENSE} = V_{RS+} - V_{RS-} = 1mV$, $T_A = -40^{\circ}C$ to $125^{\circ}C$, unless otherwise noted. Typical values are at $T_A = 25^{\circ}C$ ⁽¹⁾.

Table 8. Electrical Characteristics

| PARAMETER | SYMBOL | CONDITIONS | MIN | TYP | MAX | UNITS |
|--|---------------------|--|-----------------|--------------|-----------|--------------------|
| DC CHARACTERISTICS | | | | | | |
| Supply Voltage | V_{DD} | Guaranteed by PSRR | 2.7 | | 5.5 | V |
| Supply Current | I_{DD} | $T_A = 25^{\circ}C$ | | 560 | 800 | μA |
| | | $-40^{\circ}C < T_A < 125^{\circ}C$ | | | 850 | |
| Power-Supply Rejection Ratio | PSRR | $2.7V \leq V_{DD} \leq 5.5V$ | 105 | 108 | | dB |
| Input Common-Mode Voltage Range | V_{CM} | Guaranteed by CMRR | 0 | | 76 | V |
| Input Bias Current at V_{RS+} and V_{RS-} ⁽²⁾ | I_{RS+}, I_{RS-} | | | 0.003 | 0.1 | μA |
| Input Offset Current ⁽²⁾ | $I_{RS+} - I_{RS-}$ | | | | 0.2 | μA |
| Input Leakage Current ⁽²⁾ | I_{RS+}, I_{RS-} | $V_{DD} = 0V, V_{RS+} = V_{RS-} = 76V$ | | | 0.2 | μA |
| Common-Mode Rejection Ratio | CMRR | $0V < V_{RS+} < 76V$ | 130 | 159 | | dB |
| Input Offset Voltage ⁽³⁾ | V_{OS} | $T_A = 25^{\circ}C$ | | ± 8 | ± 60 | μV |
| | | $-40^{\circ}C \leq T_A \leq 125^{\circ}C$ | | ± 50 | ± 150 | |
| Input Offset Voltage Drift ⁽²⁾ | TCV_{OS} | | | 50 | | nV/ $^{\circ}C$ |
| Input Sense Voltage | V_{SENSE} | | | V_{OH} / G | | mV |
| Gain ⁽³⁾ | G | CSA231-10 | | 10 | | V/V |
| | | CSA231-20 | | 20 | | |
| | | CSA231-50 | | 50 | | |
| | | CSA231-100 | | 100 | | |
| Gain Error ⁽²⁾ | GE | $T_A = 25^{\circ}C$ | | 0.02 | 0.1 | % |
| | | $-40^{\circ}C \leq T_A \leq 85^{\circ}C$ | | | 0.25 | |
| | | $-40^{\circ}C \leq T_A \leq 125^{\circ}C$ | | | 0.3 | |
| VREF Resistor | R_{REF} | | | 22.6 | | k Ω |
| VREF Resistor Match | | | | 0.1 | | % |
| VREF Resistor Temperature Drift | TCR_{REF} | | | 180 | | $\Omega/^{\circ}C$ |
| VREF Input Range | V_{REF} | | GND | | V_{DD} | V |
| Reference Voltage Rejection Ratio (Input-Referred) | RVRR | | | 1 | | $\mu V/V$ |
| Output Low Voltage | V_{OL} | Sink 500 μA | | | 10 | mV |
| | | No load | | | 4 | |
| Output High Voltage | V_{OH} | Source 500 μA | $V_{DD} - 0.01$ | | | V |
| AC CHARACTERISTICS | | | | | | |
| Signal Bandwidth | BW -3dB | All gain configurations $V_{SENSE} > 5mV$ | | 90 | | kHz |
| Slew Rate | SR | | | 0.5 | | V/ μs |
| AC Power-Supply Rejection Ratio | AC PSRR | $f = 200kHz$ | | 47 | | dB |
| AC CMRR | AC CMRR | $f = 200kHz$ | | 95 | | dB |
| Capacitive Load Stability | C_{LOAD} | With 250 Ω isolation resistor | | 20 | | nF |
| | | Without any isolation resistor | | 500 | | pF |
| Input Voltage-Noise Density | en | $f = 1kHz$ | | 58 | | nV/ \sqrt{Hz} |
| Power-Up Time ⁽⁴⁾ | | | | 80 | | μs |
| Saturation Recovery Time | | | | 5 | | μs |

CSA231

Bidirectional, High-Voltage, High-Precision, Current-Sense Amplifier

Note 1: All devices are 100% production tested at $T_A = 25^\circ\text{C}$. All temperature limits are guaranteed by design.

Note 2: Specifications are guaranteed by design, not production tested.

Note 3: Gain and offset voltage are calculated based on two-point measurements: V_{SENSE1} and V_{SENSE2} .

$$V_{\text{SENSE1}} = 20\% \times \text{Full-Scale } V_{\text{SENSE}} \cdot V_{\text{SENSE2}} = 80\% \times \text{Full-Scale } V_{\text{SENSE}}$$

Note 4: Output is high-Z during power-up.

5.6 TYPICAL CHARACTERISTICS

$V_{RS+} = V_{RS-} = 76V$, $V_{DD} = 3.3V$, $REF1 = V_{DD}$, $REF2 = GND$, $V_{SENSE} = V_{RS+} - V_{RS-} = 1mV$, $T_A = 25^{\circ}C$, unless otherwise noted.

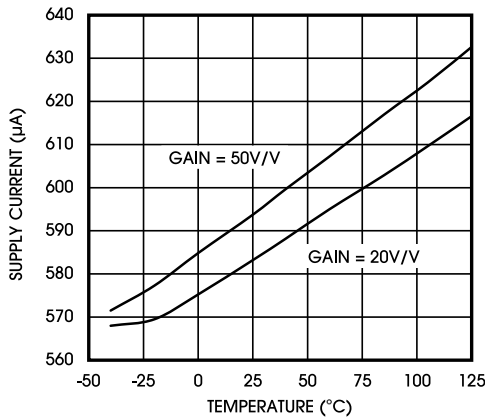


Figure 2. Supply Current vs. Temperature

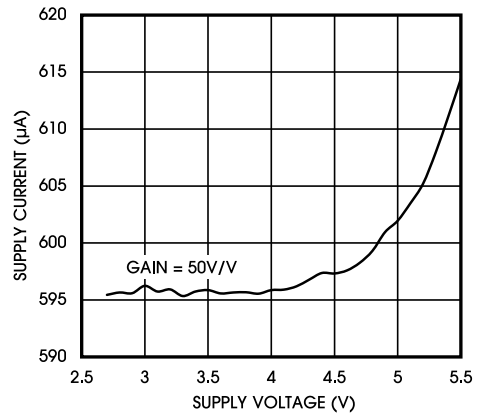


Figure 3. Supply Current vs. Supply Voltage

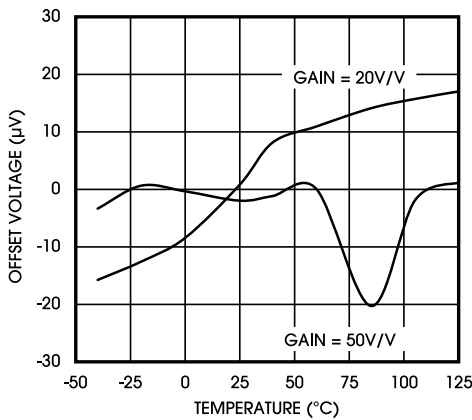


Figure 4. Input Offset Voltage vs. Temperature

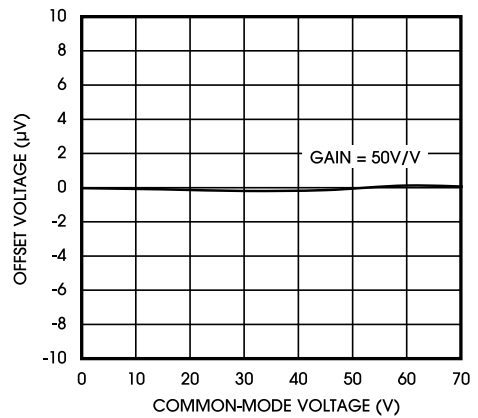


Figure 5. Input Offset Voltage vs. Input Common Mode Voltage

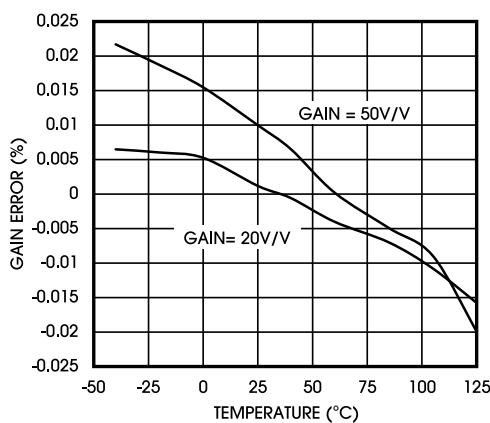


Figure 6. Gain Error vs. Temperature

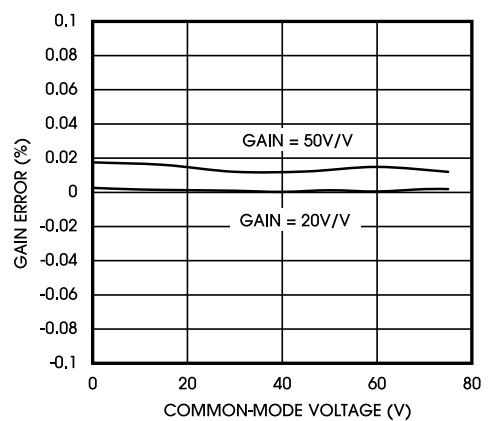


Figure 7. Gain Error vs. Common Mode Voltage

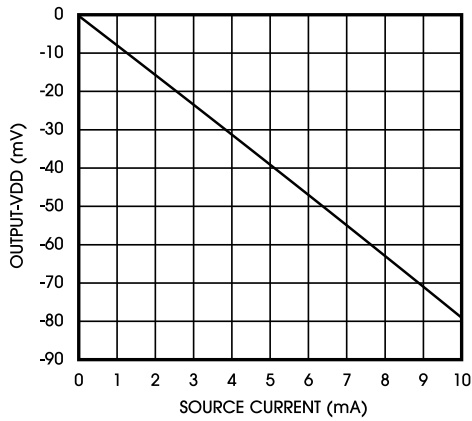


Figure 8. V_{OH} vs. Source Current

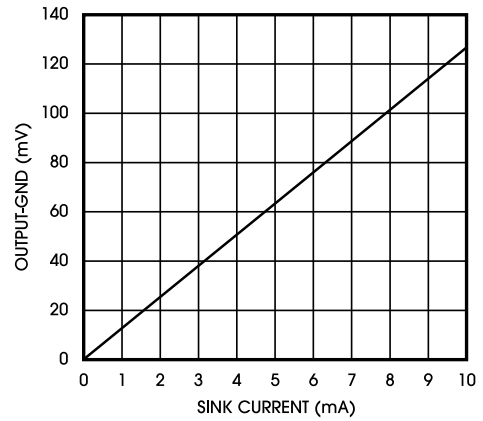


Figure 9. V_{OL} vs. Sink Current

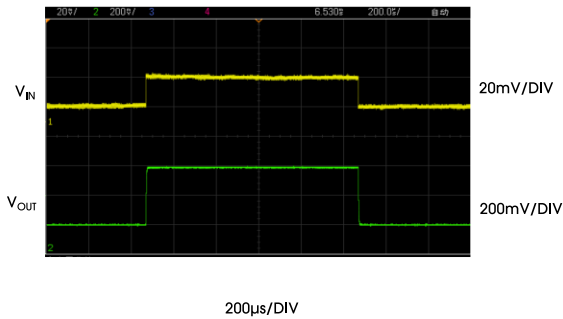


Figure 10. Small Signal Step Response

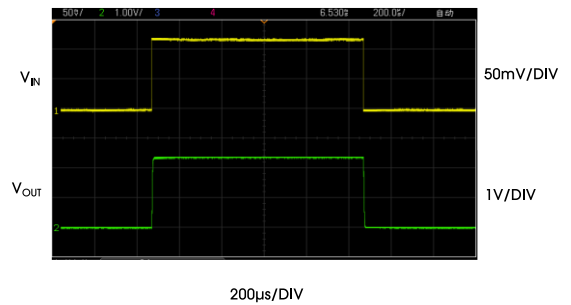


Figure 11. Large Signal Step Response

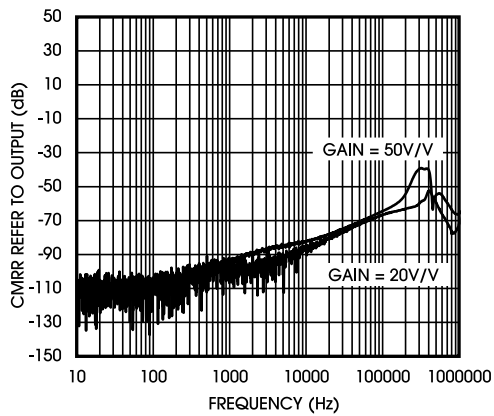


Figure 12. CMRR Referred to Output vs. Frequency

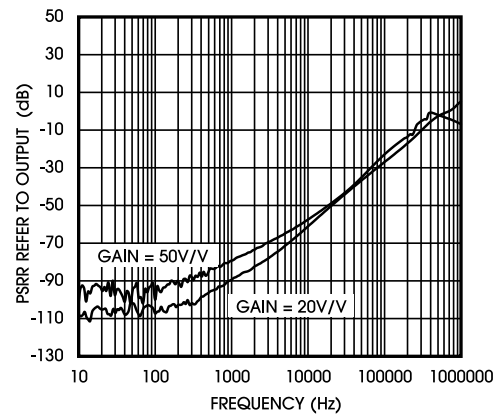


Figure 13. PSRR Referred to Output vs. Frequency

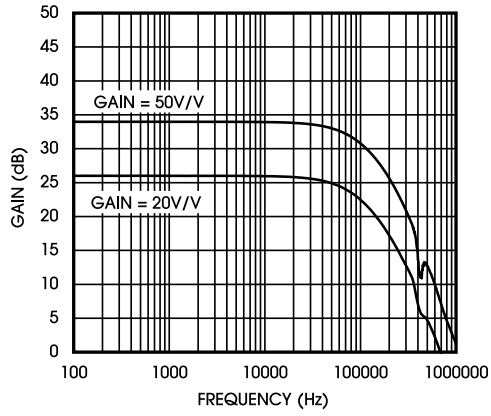


Figure 14. Gain vs. Frequency

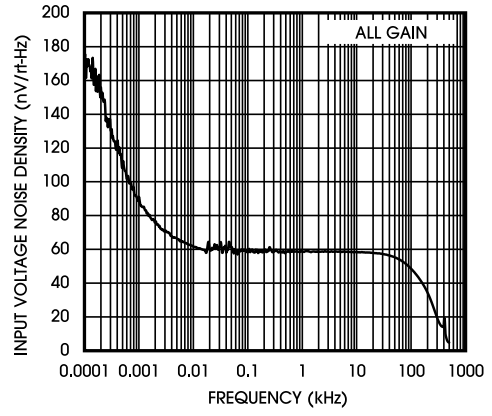


Figure 15. Input Voltage Noise Density vs. Frequency

6. DETAILED DESCRIPTION

6.1 OVERVIEW

The CSA231 high-side, current-sense amplifier features a 0V to 76V input common-mode range that is independent of supply voltage. This feature allows the monitoring of current out of a battery as low as 0V and enables high-side current sensing at voltages greater than the supply voltage (V_{DD}). The CSA231 monitors current through a current-sense resistor and amplifies the voltage across the resistor.

High-side current monitoring does not interfere with the ground path of the load being measured, making the CSA231 particularly useful in a wide range of high-voltage systems.

6.2 FUNCTIONAL BLOCK DIAGRAM

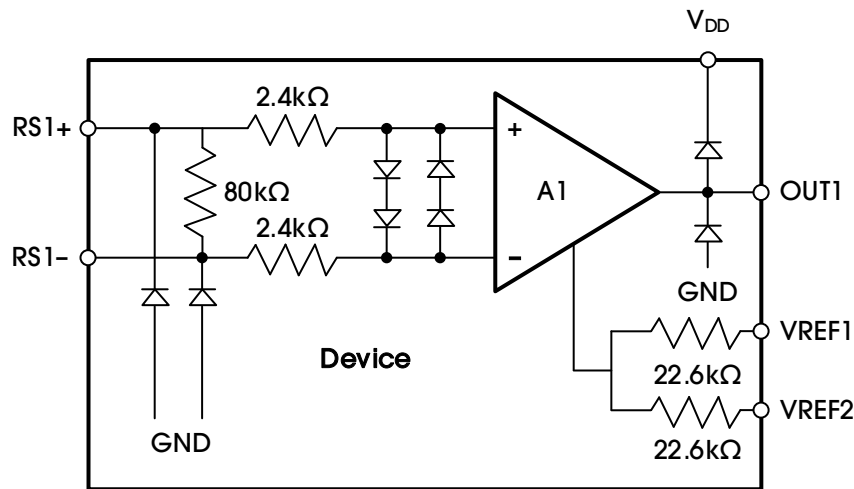


Figure 16. Functional Block Diagram

7. APPLICATION AND IMPLEMENTATION

NOTE

The information provided in this section is not part of the AnalogSemi component specification. Hence, AnalogSemi does not warrant its completeness or accuracy. Customers are responsible for determining suitability of components and system functionality for their applications. Validation and testing should be performed prior to design implementation.

7.1 APPLICATION INFORMATION

7.1.1 RECOMMENDED COMPONENT VALUES

Ideally, the maximum load current develops the full-scale sense voltage across the current-sense resistor. Power V_{DD} with typical 3.3V, and choose the gain needed to yield the maximum output voltage required for the application:

$$V_{OUT} = V_{SENSE} \times A_V \quad (1)$$

Where V_{SENSE} is the full-scale sense voltage, 330mV for gain of 10V/V, 165mV for gain of 20V/V, 66mV for gain of 50V/V, 33mV for gain of 100V/V, and A_V is the gain of the device.

In applications monitoring a high current, ensure that R_{SENSE} is able to dissipate its own I^2R loss. If the resistor's power dissipation exceeds the nominal value, its value may drift or it may fail altogether. The CSA231 senses a wide variety of currents with different sense-resistor values.

7.1.2 CHOOSING THE SENSE RESISTOR

Choose R_{SENSE} based on the following criteria:

- **Voltage Loss:** A high R_{SENSE} value causes the power-source voltage to degrade through IR loss. For minimal voltage loss, use the lowest R_{SENSE} value.
- **Accuracy:** A high R_{SENSE} value allows lower currents measured more accurately. This is due to offsets becoming less significant when the sense voltage is larger. For best performance, while using 3.3V for V_{DD} , select R_{SENSE} to provide approximately 330mV (gain of 10V/V), 165mV (gain of 20V/V), or 66mV (gain of 50V/V), 33mV (gain of 100V/V) of sense voltage for the full-scale current in each application.
- **Efficiency and Power Dissipation:** At high current levels, the I^2R losses in R_{SENSE} can be significant. Consider this when choosing the resistor value and its power dissipation (wattage) rating. In addition, the sense resistor's value might drift if it heats up excessively.
- **Inductance:** Keep inductance low if I_{SENSE} has a large high-frequency component. Wire-wound resistors have the highest inductance, while metal film is somewhat better. Low-inductance, metal-film resistors are also available. Instead of being spiral wrapped around a core, as in metal-film or wire wound resistors, they are a straight band of metal and are available in values under 1Ω.

Take care to eliminate parasitic trace resistance from causing errors in the sense voltage because of the high currents that flow through R_{SENSE} . Either use a four-terminal current-sense resistor or use Kelvin (force and sense) PCB layout techniques.

7.2 POWER-SUPPLY BYPASSING

Power-supply bypass capacitors are recommended for best performance and should be placed as close as possible to the supply and ground terminals of the device. A typical value for this supply bypass capacitor is 0.1μF (NP0/C0G type) close to the V_{DD}/GND pins. The capacitors should be rated for at least twice the maximum expected applied voltage. Applications with noisy or high-impedance power supplies may require additional decoupling capacitors to reject power-supply noise.

8. PACKAGE INFORMATION

The CSA231 is available in the SOIC-8 and TSSOP-8 packages.

8.1 SOIC-8 PACKAGE

Figure 17 shows the SOIC-8 package view.

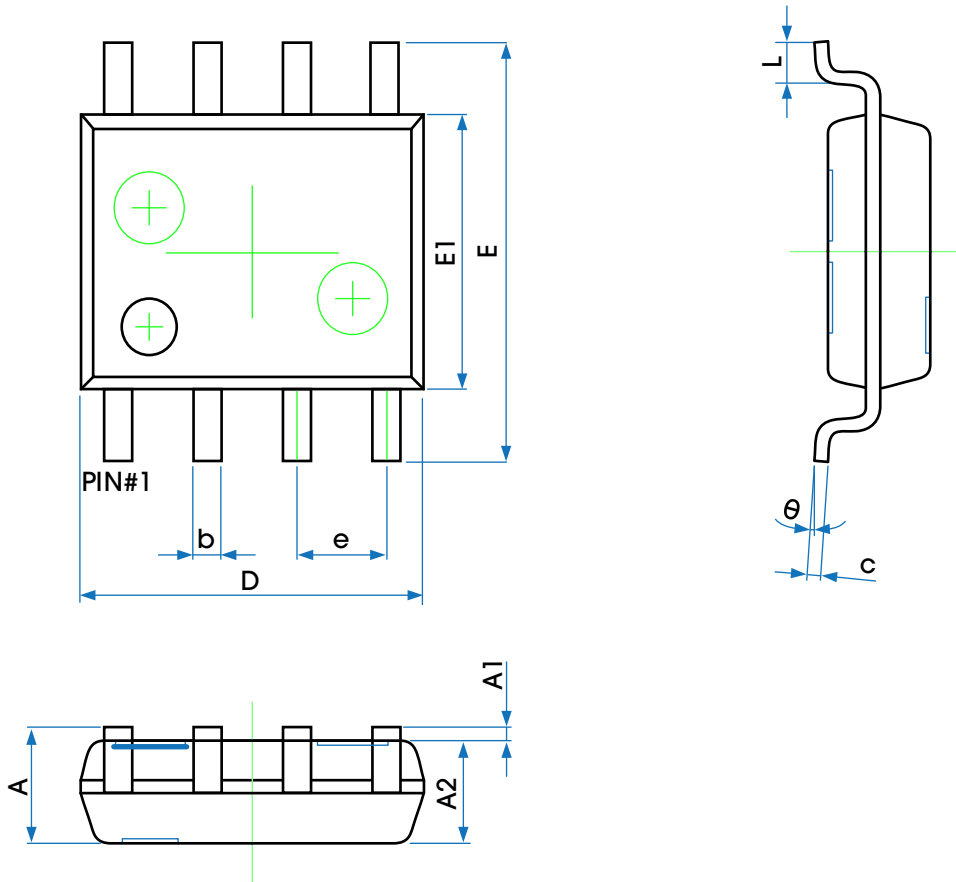


Figure 17. SOIC-8 Package View

Table 9 provides detailed information about the dimensions of the SOIC-8 package.

Table 9. Dimensions of the SOIC-8 Package

| SYMBOL | DIMENSIONS IN MILLIMETERS | | DIMENSIONS IN INCHES | |
|--------|---------------------------|-------|----------------------|-------|
| | MIN | MAX | MIN | MAX |
| A | 1.350 | 1.750 | 0.053 | 0.069 |
| A1 | 0.100 | 0.250 | 0.004 | 0.010 |
| A2 | 1.350 | 1.550 | 0.053 | 0.061 |
| b | 0.330 | 0.510 | 0.013 | 0.020 |
| c | 0.170 | 0.250 | 0.007 | 0.010 |
| D | 4.700 | 5.100 | 0.185 | 0.201 |
| E | 5.800 | 6.200 | 0.228 | 0.244 |
| E1 | 3.800 | 4.000 | 0.150 | 0.157 |
| e | 1.270 (BSC) | | 0.050 (BSC) | |
| L | 0.400 | 1.270 | 0.016 | 0.050 |
| θ | 0° | 8° | 0° | 8° |

8.2 TSSOP-8 PACKAGE

Figure 18 shows the TSSOP-8 package view.

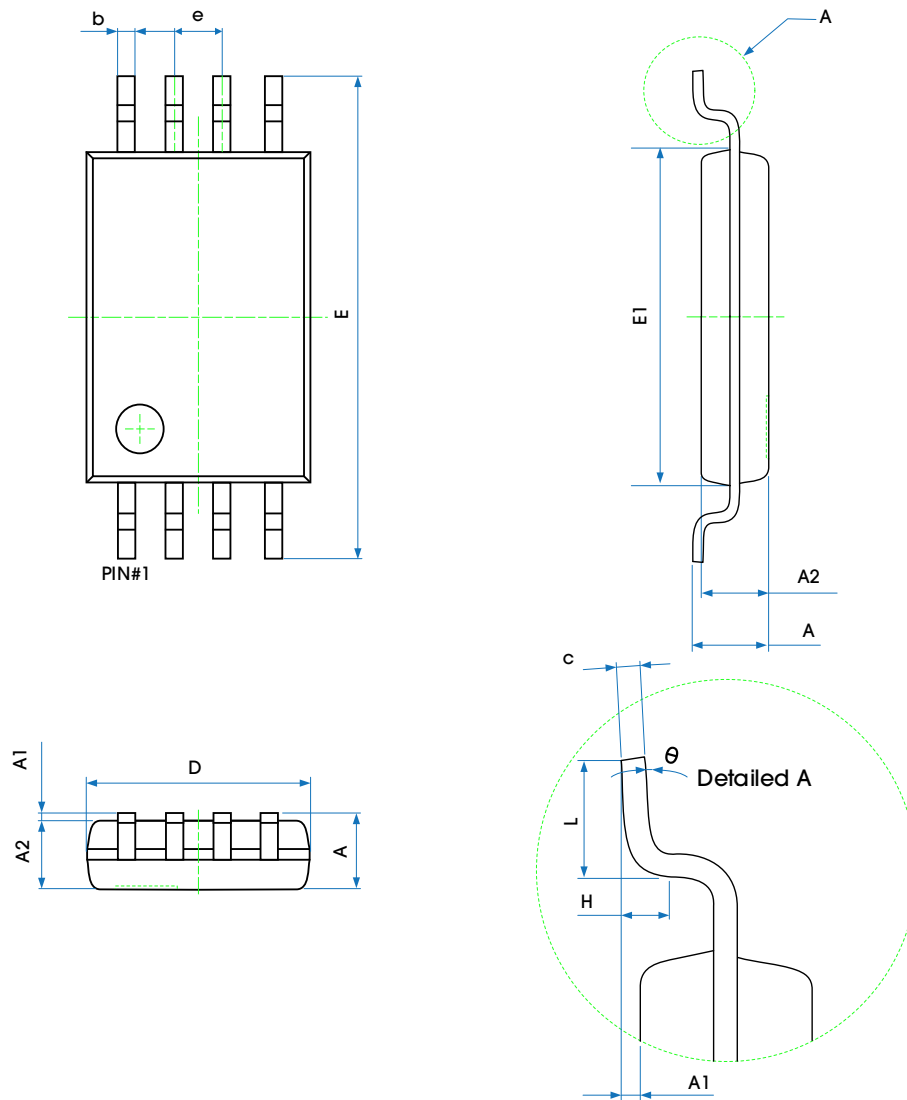


Figure 18. TSSOP-8 Package View

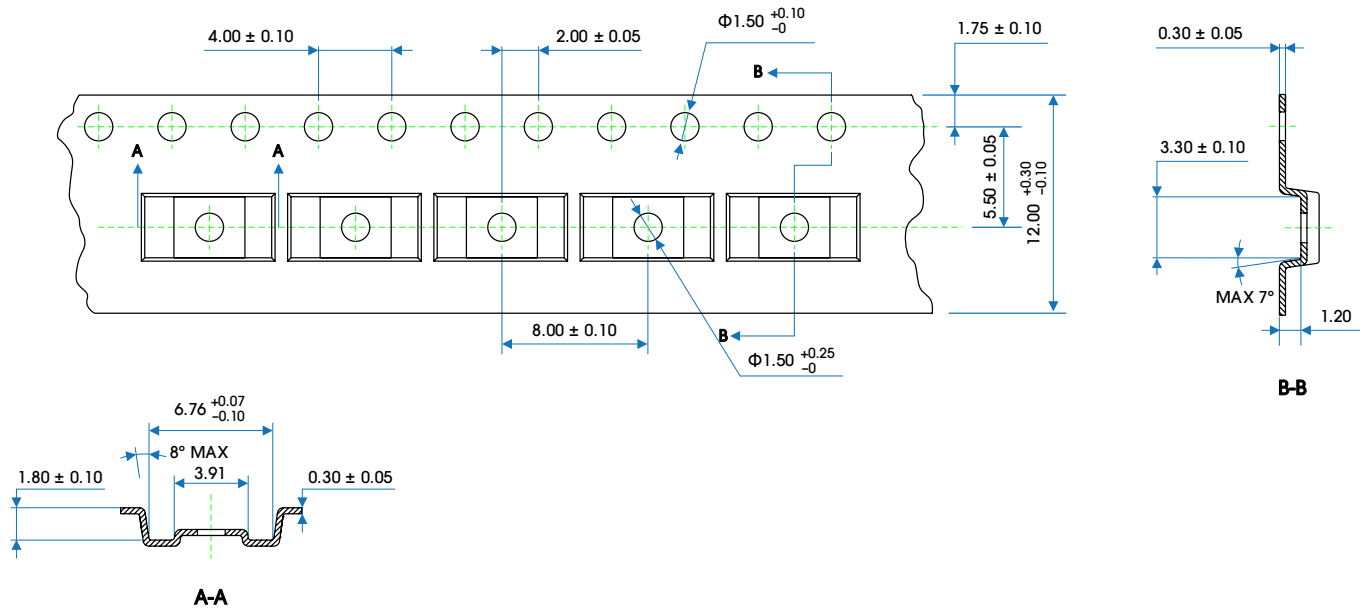
Table 10 provides detailed information about the dimensions of the TSSOP-8 package.

Table 10. Dimensions of the TSSOP-8 Package

| SYMBOL | DIMENSIONS IN MILLIMETERS | | DIMENSIONS IN INCHES | |
|--------|---------------------------|-------|----------------------|-------|
| | MIN | MAX | MIN | MAX |
| A | — | 1.200 | — | 0.047 |
| A1 | 0.050 | 0.150 | 0.002 | 0.006 |
| A2 | 0.800 | 1.000 | 0.031 | 0.039 |
| b | 0.190 | 0.300 | 0.007 | 0.012 |
| c | 0.090 | 0.200 | 0.004 | 0.008 |
| D | 2.900 | 3.100 | 0.114 | 0.122 |
| E | 6.250 | 6.550 | 0.246 | 0.258 |
| E1 | 4.300 | 4.500 | 0.169 | 0.177 |
| e | 0.650 (BSC) | | 0.026 (BSC) | |
| L | 0.500 | 0.700 | 0.020 | 0.028 |
| H | 0.250 (TYP) | | 0.010 (TYP) | |
| θ | 1° | 7° | 1° | 7° |

9.2 TSSOP-8 PACKAGE

Figure 21 illustrates the carrier tape.



Notes:

1. Cover tape width: 9.5 ± 0.10 .
2. Cumulative tolerance of 10 sprocket hole pitch: ± 0.20 (max).
3. Camber: not to exceed 1mm in 100mm.
4. Mold#: TSSOP-8.
5. All dimensions: mm.
6. Direction of view:

Figure 21. Carrier Tape Drawing

Table 12 provides information about tape and reel.

Table 12. Tape and Reel Information

| PACKAGE TYPE | REEL | QTY/REEL | REEL/ INNER BOX | INNER BOX/ CARTON | QTY/CARTON | INNER BOX SIZE (MM) | CARTON SIZE (MM) |
|--------------|------|----------|-----------------|-------------------|------------|---------------------|------------------|
| TSSOP-8 | 13" | 4000 | 1 | 8 | 32000 | 358*340*50 | 430*380*390 |

Figure 22 shows the product loading orientation—pin 1 is assigned at Q1.

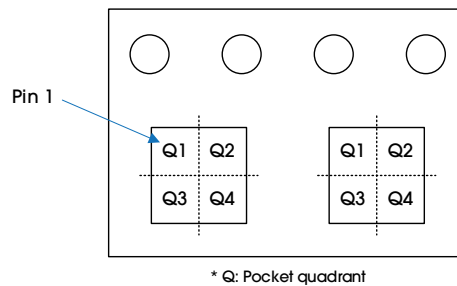


Figure 22. Product Loading Orientation

CSA231

Bidirectional, High-Voltage, High-Precision, Current-Sense Amplifier

REVISION HISTORY

| REVISION | DATE | DESCRIPTION |
|----------|------------------|----------------|
| Rev A | 22 November 2022 | Rev A release. |