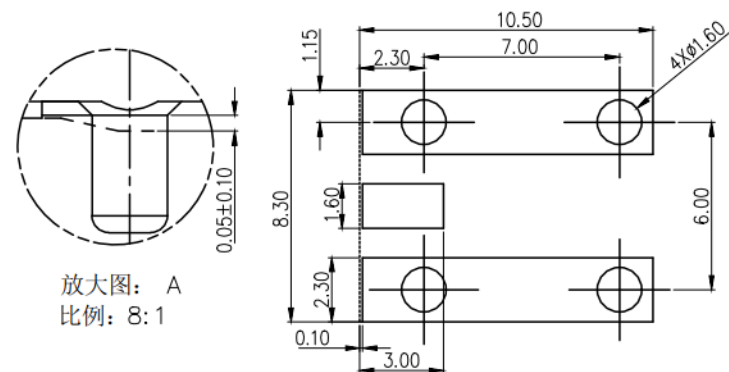
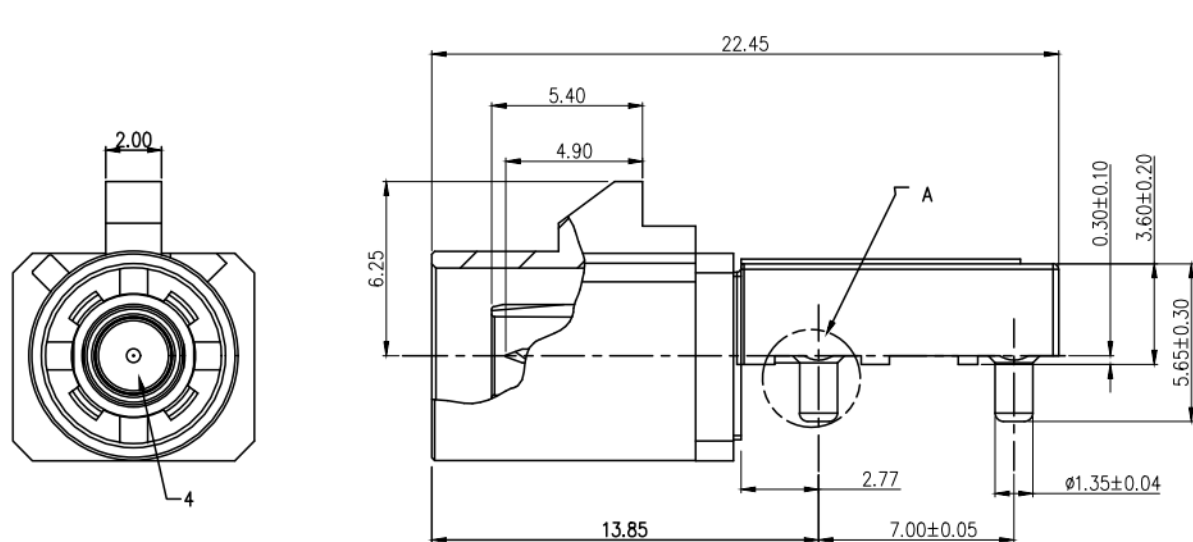


DRAWING TYPE

CUSTOMER DRAWING

Kinghelm®

MARK	DATE	DESCRIPTION	DESIGN
A	2020.05.06	PROPOSAL	CHEN



放大图: A
比例: 8:1

1. PART NO. LEGEND: PCB ALL TOLERANCE ± 0.05

7.03A0 .000 8 9 X

TYPE

CONTACT AREA PLATING SPEC: GOLD PLATING: $8=30\mu$
SOLDER AREA PLATING SPEC: Tin PLATING: $8=80\mu$

2. PERFORMANCE:

2.1: CONTACT RESISTANCE: INITIAL VALUE 50mOHM Max,

2.2: FREQUENCY RANGE: DC to 6GHz

2.3 VSWR: 0-6GHz 1.60Max

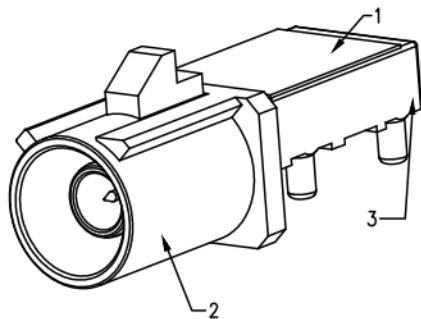
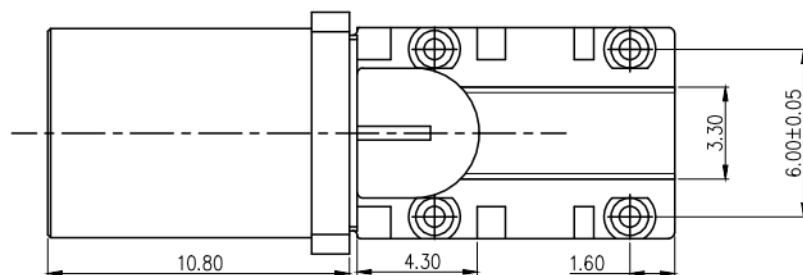
2.4 VOLTAGE RATING: 50V (AC/DC).

2.5: CURRENT RATING: 1A/PIN.

2.6: INSULATION RESISTANCE: 100MOHM Min.

2.7: MATING CYCLES: 25 TIMES Min.

2.8: OPERATING TEMPERATURE: $-40^{\circ}\text{C} \sim +105^{\circ}\text{C}$



NO.	COMPONENTS	MATERIALS	FINISH/COLOR	SPECIFICATION	QUANTITY
4	MOLDING	THERMOPLASTIC+BRASS	BLACK+PLATING GOLD		1
3	BODY	ZINC ALLOY	PLATING Sn		1
2	HOUSING	THERMOPLASTIC UL94V-0	ACCORDANCE WITH THE REQUIREMENTS		1
1	MAYLAR	KAPTON			1

深圳市金航标电子有限公司

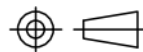
www.kinghelm.com.cn

KH-FAKRA-E-CB

0755-28190160

UNLESS OTHERWISE SPECIFIED TOLERANCE

ANG	TOL	DIM	TOL
.X	$\pm 3.0^{\circ}$.X	± 0.30
.XX	$\pm 2.0^{\circ}$.XX	± 0.20
.XXX	$\pm 1.0^{\circ}$.XXX	± 0.10



DRAWING NO

7.03A0-C

PART NAME:

FAKRA LOW PROFILE CONNECTOR
CUSTOMER DRAWING

PART NO.

7.03A0.00089X

APPROVED

VERIFIED

DESIGN

DATE

UNITS

SCALE

PAGE

REV

CHEN

2020.05.06

mm

4:1

1/2

A

NOTE: ALL RIGHTS RESERVED, BANNED COPY!

QP-04-33-B

1 2 3 4 5 6 7 8 9 10 11 12

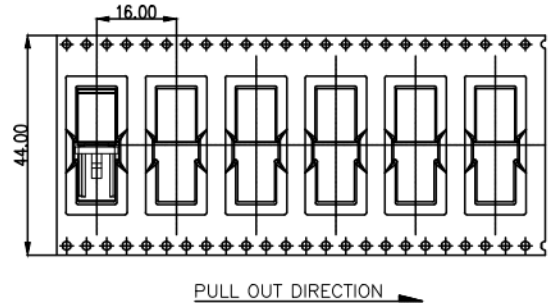
DRAWING TYPE

CUSTOMER DRAWING

MARK	DATE	DESCRIPTION	DESIGN
A	2020.05.06	PROPOSAL	CHEN

Kinghelm®

KH-FAKRA-A-CB	KH-FAKRA-B-CB	KH-FAKRA-C-CB	KH-FAKRA-D-CB	KH-FAKRA-E-CB	KH-FAKRA-F-CB	KH-FAKRA-G-CB	KH-FAKRA-H-CB	KH-FAKRA-I-CB	KH-FAKRA-K-CB
KH-FAKRA-L-CB	KH-FAKRA-M-CB	KH-FAKRA-N-CB	KH-FAKRA-Z-CB						



NOTE:
1.PER REEL: 400PCS

NOTE: ALL RIGHTS RESERVED,BANNED COPY!

UNLESS OTHERWISE SPECIFIED TOLERANCE			
ANG	TOL	DIM	TOL
.X	±3.0°	.X	±0.30
.XX	±2.0°	.XX	±0.20
.XXX	±1.0°	.XXX	±0.10

深圳市金航标电子有限公司			www.kinghelm.com.cn		
KH-FAKRA-E-CB			0755-28190160		
DRAWING NO		PART NAME:		FAKRA LOW PROFILE CONNECTOR	
7.03A0-C		CUSTOMER DRAWING			
APPROVED		PART NO.		7.03A0.00089X	
VERIFIED		DATE		UNITS	
DESIGN		2020.05.06		SCALE	
CHEN		mm		4:1	
		PAGE		2/2	
		REV		A	

1 2 3 4 5 6 7 8 9 10 11 12 QP-04-33-B

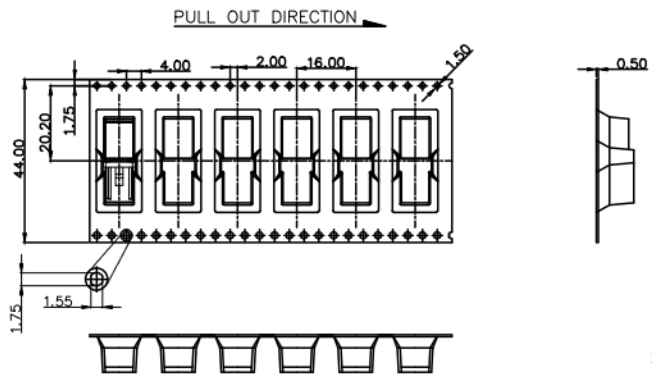
DRAWING TYPE PACKAGE DRAWING

Kinghelm®

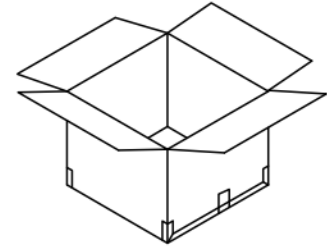
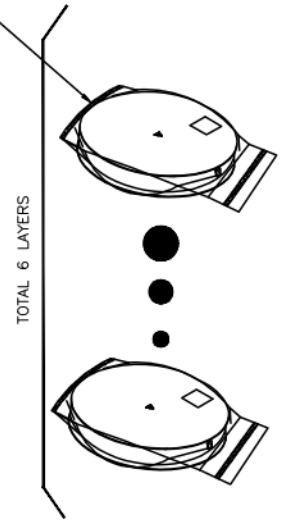
MARK	DATE	DESCRIPTION	DESIGN
A	2020.05.06	PROPOSAL	CHEN

NOTES:

- MATERIAL:
 - CARRY TAPE:HIPS,T=0.50±0.05mm,BLACK
 - REEL:HIPS,
 - SHIM:PE,CLEAR.
- PRIMARY PACKING:400PCS/REEL.
- SECONDARY PACKING:SEE PACKING LIST
- PEELING RESISTANCE: 0.2~1.2N(20~120gf); PEELING ANGLE: 165°~180°; PEELING SPEED: 300mm/minutes.

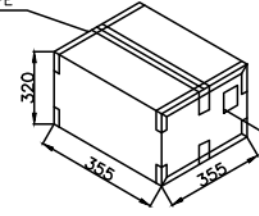


PER REEL with PE Bag

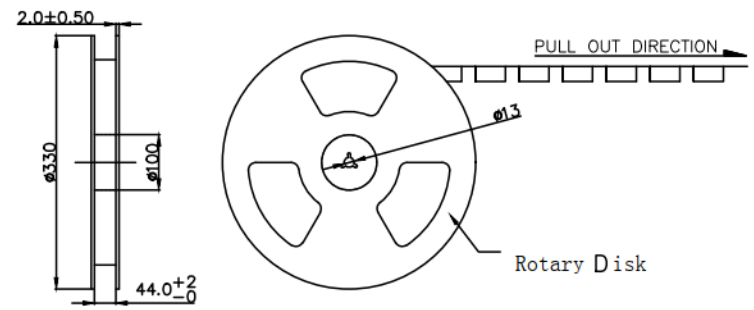


6 REEL PER CARTON
Total 2400 PCS

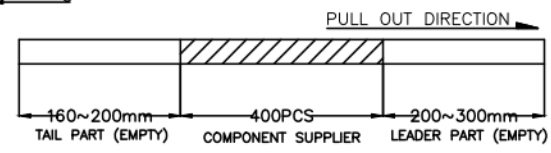
TRANSPARENT GULE TAPE



SIDE LABEL



Rotary Disk



NOTE: ALL RIGHTS RESERVED,BANNED COPY!

UNLESS OTHERWISE SPECIFIED TOLERANCE			
ANG	TOL	DIM	TOL
.X	±3.0°	.X	±0.20
.XX	±2.0°	.XX	±0.10
.XXX	±1.0°	.XXX	±0.05

深圳市金航标电子有限公司				www.kinghelm.com.cn			
KH-FAKRA-E-CB				0755-28190160			
DRAWING NO		PART NAME:		FAKRA LOW PROFILE CONNECTOR		PACKING DRAWING	
7.03A0-P		PART NO.		7.03A0.00089X			
APPROVED	VERIFIED	DESIGN	DATE	UNITS	SCALE	PAGE	REV
		CHEN	2020.05.06	mm	1:1	1/1	A