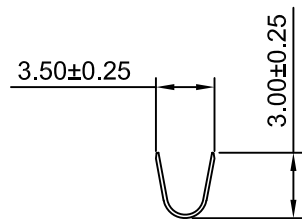
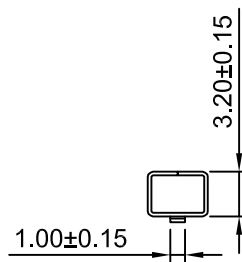


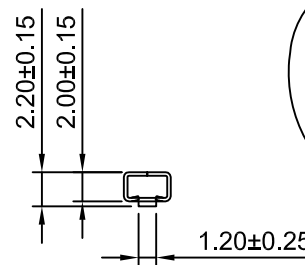
SEC:A-A



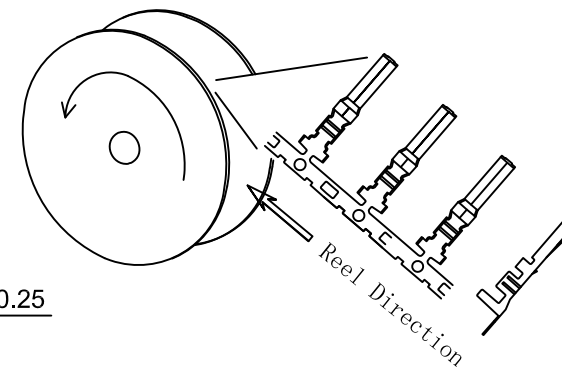
SEC:B-B



SEC:C-C



SEC:D-D



Ordering information & Specifications

Unit:mm

Part NO.	Wire Range	Insultion O.D.	Material	Finish	Qty/reel
C6201M-TP-L	AWG#16-#22	3.20mm(max)	Phosphor Bronze	Tin over Nickel	3,000 PCS
C6201M-GP-L	AWG#16-#22	3.20mm(max)	Phosphor Bronze	Gold over Nickel	3,000 PCS

REV	DESCRIPTION	DATE
A0	NEW RELEASE	2005.07.20

CJTconn CHANGJIANG CONNECTORS CO.,LTD.

Unit	Scale	Sheet	TITLE
mm	5:1	1 of 1	3.00mm PITCH CRIMP TERMINAL
DRWN	CHK'D	APPR	
Wenmin Luo	Diankui Wan	Jack Yin	
General Tolerances			THIRD ANGLE PROJECTION
x.xx±0.25 x.xxx±0.20 x.xxxx±0.15 ANGLES ±1°			
			DRAWING NO.
			C6201M-T-L
			REV
			A0