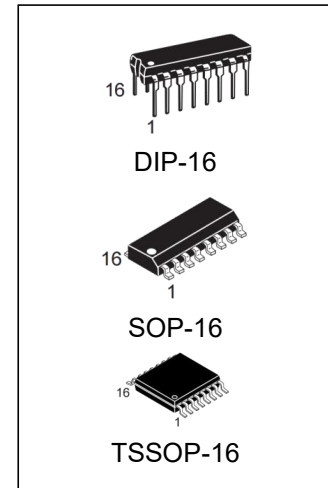


Micropower Phase-Locked Loop

Features

- Wide supply voltage range: 3.0V to 18V
- Low dynamic: 70 μ W (typ.) at
power consumption: $f_o = 10$ kHz, $V_{DD} = 5$ V
- VCO frequency: 1.3 MHz (typ.) at $V_{DD} = 10$ V
- Low frequency drift: 0.06%/°C at $V_{DD} = 10$ V with temperature
- High VCO linearity: 1% (typ.)



Ordering Information

DEVICE	Package Type	MARKING	Packing	Packing Qty
CD4046BE	DIP-16	CD4046BE	TUBE	1000pcs/box
CD4046BM/TR	SOP-16	CD4046B	REEL	2500pcs/reel
CD4046BMT/TR	TSSOP-16	CD4046B	REEL	2500pcs/reel

General Description

The CD4046B micropower phase-locked loop (PLL) consists of a low power, linear, voltage-controlled oscillator (VCO), a source follower, a zener diode, and two phase comparators. The two phase comparators have a common signal input and a common comparator input. The signal input can be directly coupled for a large voltage signal, or capacitively coupled to the self-biasing amplifier at the signal input for a small voltage signal. Phase comparator I, an exclusive OR gate, provides a digital error signal (phase comp. I Out) and maintains 90° phase shifts at the VCO center frequency. Between signal input and comparator input (both at 50% duty cycle), it may lock onto the signal input frequencies that are close to harmonics of the VCO center frequency. Phase comparator II is an edge-controlled digital memory network. It provides a digital error signal (phase comp. II Out) and lock-in signal (phase pulses) to indicate a locked condition and maintains a 0° phase shift between signal input and comparator input.

The linear voltage-controlled oscillator (VCO) produces an output signal (VCO Out) whose frequency is determined by the voltage at the VCO_{IN} input, and the capacitor and resistors connected to pin C1_A, C1_B, R1 and R2. The source follower output of the VCO_{IN} (demodulator Out) is used with an external resistor of 10 kΩ or more. The INHIBIT input, when high, disables the VCO and source follower to minimize standby power consumption. The zener diode is provided for power supply regulation, if necessary.

Applications

- FM demodulator and modulator
- Frequency synthesis and multiplication
- Frequency discrimination
- Data synchronization and conditioning
- Voltage-to-frequency conversion
- Tone decoding
- FSK modulation
- Motor speed control

Block & Connection Diagrams

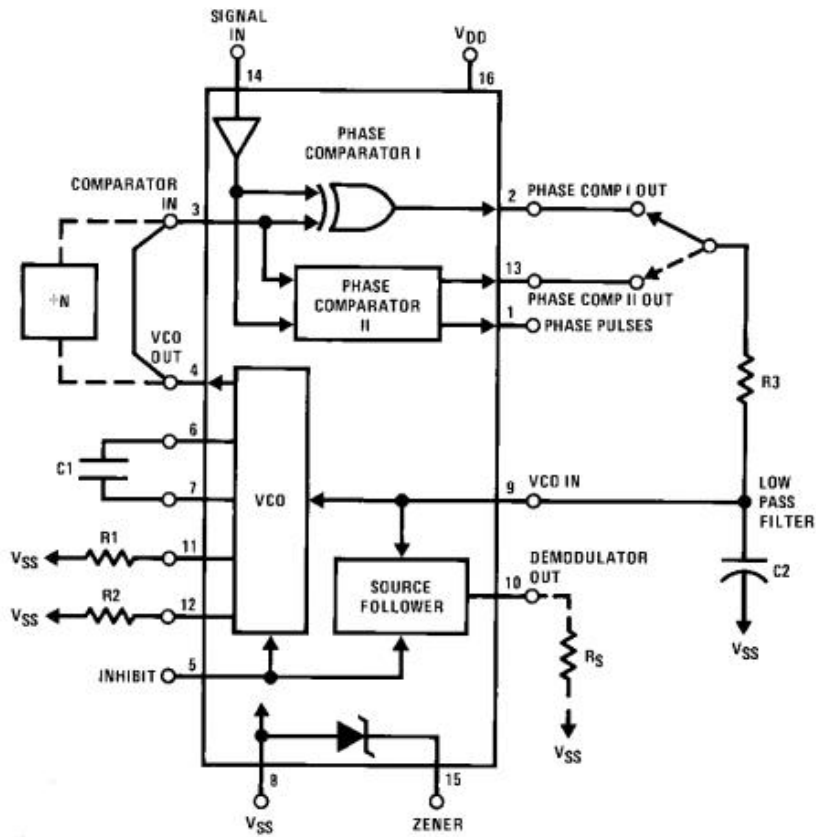
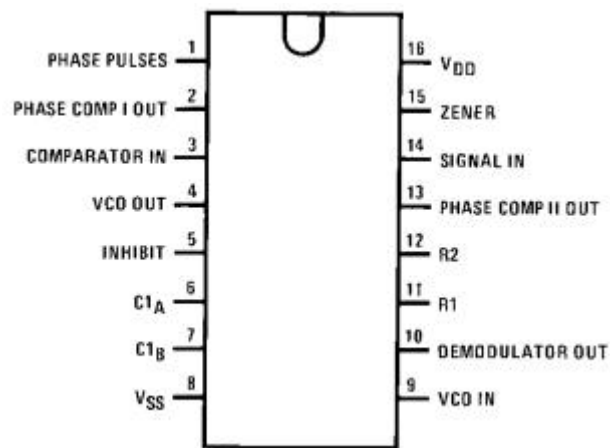


FIGURE 1

Dual-In-Line Package



Top View

Order Number CD4046B

Absolute Maximum Ratings (Notes 1 & 2)

If Military/Aerospace specified devices are required, please contact the National Semiconductor Sales Office/Distributors for availability and specifications.

Condition	Min	Max	UNITS
DC Supply Voltage (V_{DD})	-0.5	+18	V_{DC}
Input Voltage (V_{IN})	-0.5	+0.5	V_{DC}
Storage Temperature Range (T_S)	-65	150	°C
Power Dissipation (P_D)	-	-	-
Dual-In-Line	-	700	mW
Small Outline	-	500	mW
Lead Temperature (T_L)	-	-	-
(Soldering, 10 seconds)	-	260	°C

Recommended Operating Conditions (Note 2)

Condition	Min	Max	UNITS
DC Supply Voltage (V_{DD})	+3	+15	V_{DC}
Input Voltage (V_{IN})	0 to V_{DD} V_{DC}		-
Operating Temperature Range (T_A)	-40	+85	°C

DC Electrical Characteristics (Note 2)

Symbol	Parameter	Conditions	-40°C		+25°C			+85°C		Units
			Min	Max	Min	Typ	Max	Min	Max	
I _{DD}	Quiescent Device Current	Pin 5 = V _{DD} , Pin 14 = V _{DD} , Pin 3, 9 = V _{SS} V _{DD} = 5V		20		0.005	20		150	μA
		V _{DD} = 10V		40		0.01	40		300	μA
		V _{DD} = 15V		80		0.015	80		600	μA
		Pin 5 = V _{DD} , Pin 14 = Open, Pin 3, 9 = V _{SS} V _{DD} = 5V		70		5	55		205	μA
		V _{DD} = 10V		530		20	410		710	μA
		V _{DD} = 15V		1500		50	1200		1800	μA
V _{OL}	Low Level Output Voltage	V _{DD} = 5V		0.05		0	0.05		0.05	V
		V _{DD} = 10V		0.05		0	0.05		0.05	V
		V _{DD} = 15V		0.05		0	0.05		0.05	V
V _{OH}	High Level Output Voltage	V _{DD} = 5V	4.95		4.95	5		4.95		V
		V _{DD} = 10V	9.95		9.95	10		9.95		V
		V _{DD} = 15V	14.95		14.95	15		14.95		V
V _{IL}	Low Level Input Voltage Comparator and Signal In	V _{DD} = 5V, V _O = 0.5V or 4.5V		1.5		2.25	1.5		1.5	V
		V _{DD} = 10V, V _O = 1V or 9V		3.0		4.5	3.0		3.0	V
		V _{DD} = 15V, V _O = 1.5V or 13.5V		4.0		6.25	4.0		4.0	V
V _{IH}	High Level Input Voltage Comparator and Signal In	V _{DD} = 5V, V _O = 0.5V or 4.5V	3.5		3.5	2.75		3.5		V
		V _{DD} = 10V, V _O = 1V or 9V	7.0		7.0	5.5		7.0		V
		V _{DD} = 15V, V _O = 1.5V or 13.5V	11.0		11.0	8.25		11.0		V
I _{OL}	Low Level Output Current (Note 4)	V _{DD} = 5V, V _O = 0.4V	0.52		0.44	0.88		0.36		mA
		V _{DD} = 10V, V _O = 0.5V	1.3		1.1	2.25		0.9		mA
		V _{DD} = 15V, V _O = 1.5V	3.6		3.0	8.8		2.4		mA
I _{OH}	High Level Output Current (Note 4)	V _{DD} = 5V, V _O = 4.6V	-0.52		-0.44	-0.88		-0.36		mA
		V _{DD} = 10V, V _O = 9.5V	-1.3		-1.1	-2.25		-0.9		mA
		V _{DD} = 15V, V _O = 13.5V	-3.6		-3.0	-8.8		-2.4		mA
I _{IN}	Input Current	All Inputs Except Signal Input V _{DD} = 15V, V _{IN} = 0V		-0.3		-10 ⁻⁵	-0.3		-1.0	μA
		V _{DD} = 15V, V _{IN} = 15V		0.3		10 ⁻⁵	0.3		1.0	μA
C _{IN}	Input Capacitance	Any Input (Note 3)					7.5			pF
P _T	Total Power Dissipation	f _o = 10 kHz, R ₁ = 1 MΩ R ₂ = ∞, V _{COIN} = V _{DD} /2 V _{DD} = 5V				0.07				mW
		V _{DD} = 10V				0.6				mW
		V _{DD} = 15V				2.4				mW

Note 1: "Absolute Maximum Ratings" are those values beyond which the safety of the device cannot be guaranteed. They are not meant to imply that the devices should be operated at these limits. The table of "Recommended Operating Conditions" and "Electrical Characteristics" provides conditions for actual device operation.

Note 2: V_{SS} = 0V unless otherwise specified.

Note 3: Capacitance is guaranteed by periodic testing.

Note 4: I_{OH} and I_{OL} are tested one output at a time.

AC Electrical Characteristics* TA = 25°C, CL = 50 pF

Symbol	Parameter	Conditions	Min	Typ	Max	Units
VCO SECTION						
I _{DD}	Operating Current	fo = 10 kHz, R1 = 1 MΩ R2 = ∞, VCO _{IN} = V _{DD} /2 V _{DD} = 5V V _{DD} = 10V V _{DD} = 15V		20 90 200		μA μA μA
f _{MAX}	Maximum Operating Frequency	C1 = 50 pF, R1 = 10 kΩ, R2 = ∞, VCO _{IN} = V _{DD} V _{DD} = 5V	0.4	0.8		MHz
		V _{DD} = 10V	0.6	1.2		MHz
		V _{DD} = 15V	1.0	1.6		MHz
	Linearity	VCO _{IN} = 2.5V ± 0.3V, R1 ≥ 10 kΩ, V _{DD} = 5V VCO _{IN} = 5V ± 2.5V, R1 ≥ 400 kΩ, V _{DD} = 10V			1	
VCO _{IN} = 7.5V ± 5V, R1 ≥ 1 MΩ, V _{DD} = 15V				1		%
Temperature-Frequency Stability No Frequency Offset, f _{MIN} = 0		%/°C ∞ 1/f. V _{DD} R2 = ∞ V _{DD} = 5V			0.12 - 0.24	
	V _{DD} = 10V			0.04 - 0.08		%/°C
	V _{DD} = 15V			0.015 - 0.03		%/°C
Frequency Offset, f _{MIN} ≠ 0	V _{DD} = 5V			0.06 - 0.12		%/°C
	V _{DD} = 10V			0.05 - 0.1		%/°C
	V _{DD} = 15V			0.03 - 0.06		%/°C
VCO _{IN}	Input Resistance	V _{DD} = 5V		10 ⁶		MΩ
		V _{DD} = 10V		10 ⁶		MΩ
		V _{DD} = 15V		10 ⁶		MΩ
VCO	Output Duty Cycle	V _{DD} = 5V		50		%
		V _{DD} = 10V		50		%
		V _{DD} = 15V		50		%
t _{THL} t _{THL}	VCO Output Transition Time	V _{DD} = 5V		90	200	ns
		V _{DD} = 10V		50	100	ns
		V _{DD} = 15V		45	80	ns

*AC Parameters are guaranteed by DC correlated testing.

AC Electrical Characteristics* TA e 25°C, CL = 50 pF (Continued)

Symbol	Parameter	Conditions	Min	Typ	Max	Units	
PHASE COMPARATORS SECTION							
R _{IN}	Input Resistance Signal Input	V _{DD} = 5V	1	3		MΩ	
		V _{DD} = 10V	0.2	0.7		MΩ	
		V _{DD} = 15V	0.1	0.3		MΩ	
	Comparator Input	V _{DD} = 5V			106		MΩ
		V _{DD} = 10V			106		MΩ
		V _{DD} = 15V			106		MΩ
	AC-Coupled Signal Input Voltage Sensitivity	C _{SERIES} = 1000 pF f = 50 kHz					
V _{DD} = 5V			200	400	mV		
V _{DD} = 10V			400	800	mV		
		V _{DD} = 15V		700	1400	mV	
DEMODULATOR OUTPUT							
V _{COIN} - V _{DEM}	Offset Voltage	RS ≥ 10 kΩ, V _{DD} = 5V		1.50	2.2	V	
		RS ≥ 10 kΩ, V _{DD} = 10V		1.50	2.2	V	
		RS ≥ 50 kΩ, V _{DD} = 15V		1.50	2.2	V	
	Linearity	RS ≥ 50 kΩ					
		V _{COIN} = 2.5V±0.3V, V _{DD} = 5V			0.1		%
		V _{COIN} = 5V±2.5V, V _{DD} = 10V			0.6		%
		V _{COIN} = 7.5V±5V, V _{DD} = 15V			0.8		%
ZENER DIODE							
V _Z	Zener Diode Voltage	I _Z = 50 μA	6.3	7.0	7.7	V	
R _Z	Zener Dynamic Resistance	I _Z = 1 mA		100		Ω	

*AC Parameters are guaranteed by DC correlated testing.

Phase Comparator State Diagrams

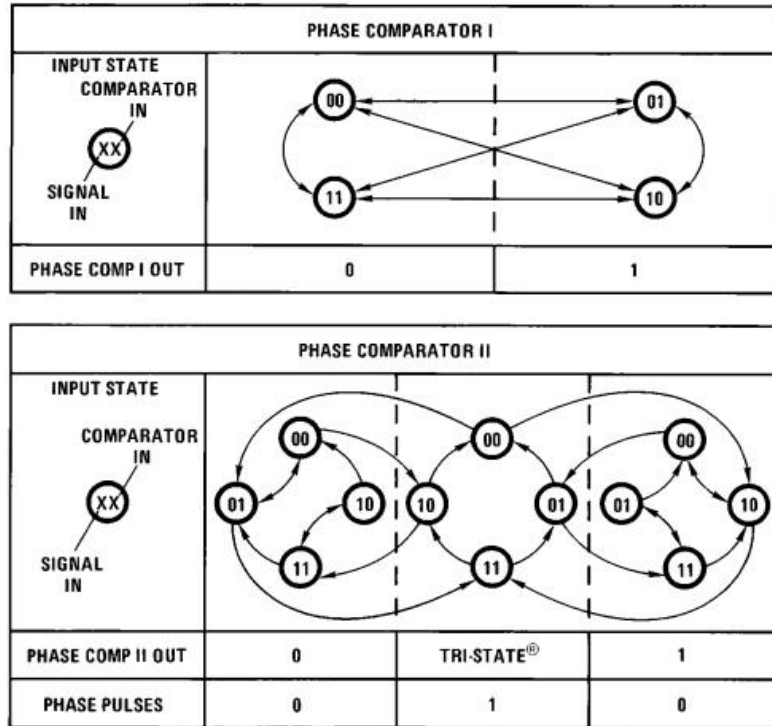


FIGURE 2

Typical Waveforms

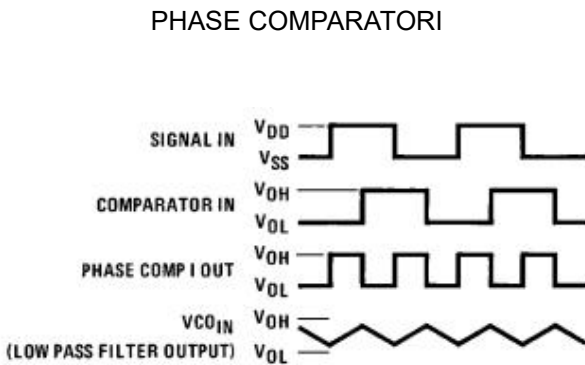


FIGURE 3. Typical Waveform Employing Phase Comparator I in Locked Condition

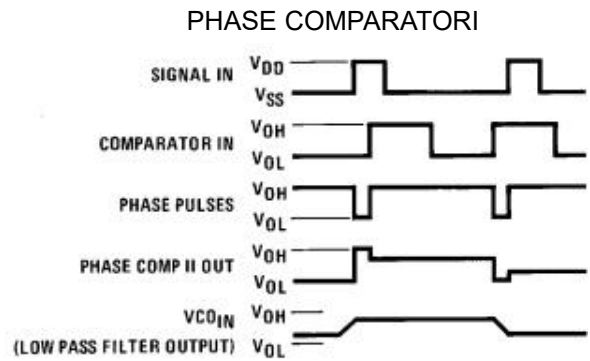


FIGURE 4. Typical Waveform Employing Phase Comparator II in Locked Condition

Typical Performance Characteristics

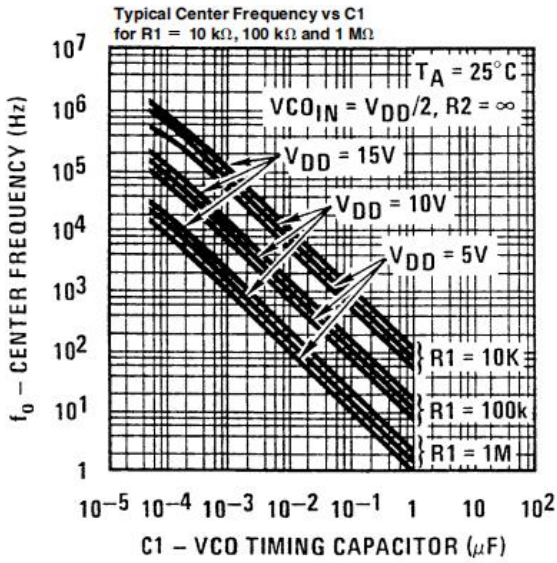


FIGURE 5a

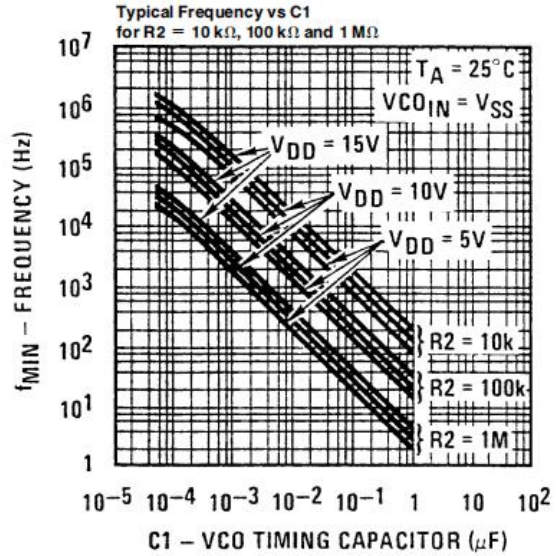


FIGURE 5b

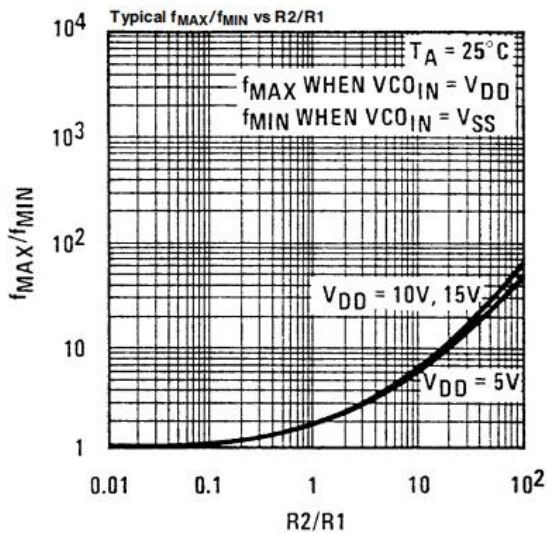


FIGURE 5c

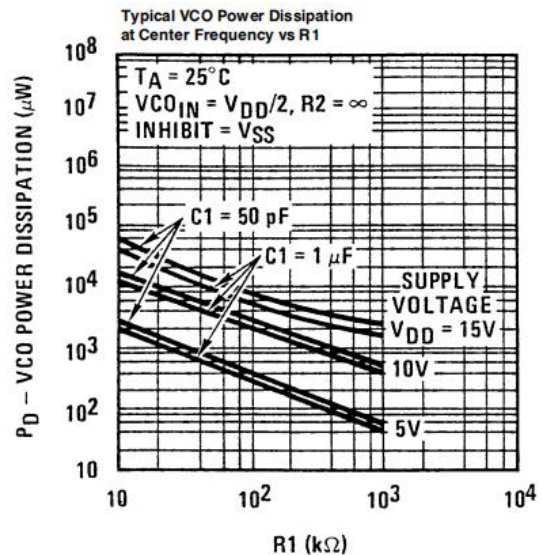


FIGURE 6a

Note: To obtain approximate total power dissipation of PLL system for no-signal input: Phase Comparator I, $PD(Total) - PD(f_0) + PD(f_{MIN}) + PD(RS)$; Phas - Comparator II, $PD(Total) - PD(f_{MIN})$.

Typical Performance Characteristics (Continued)

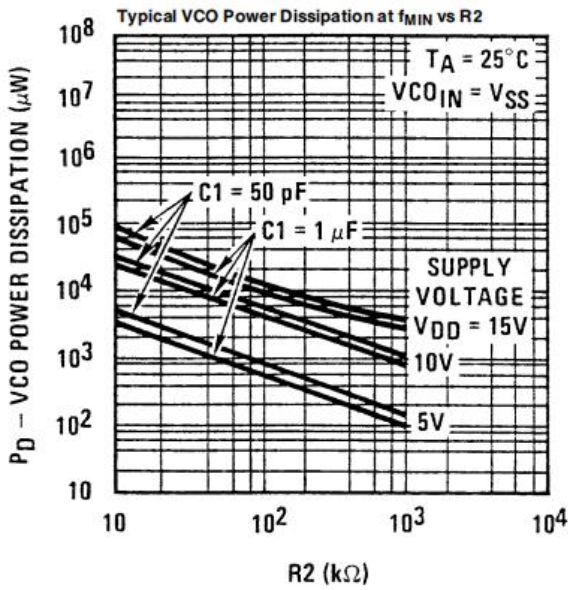


FIGURE 6b

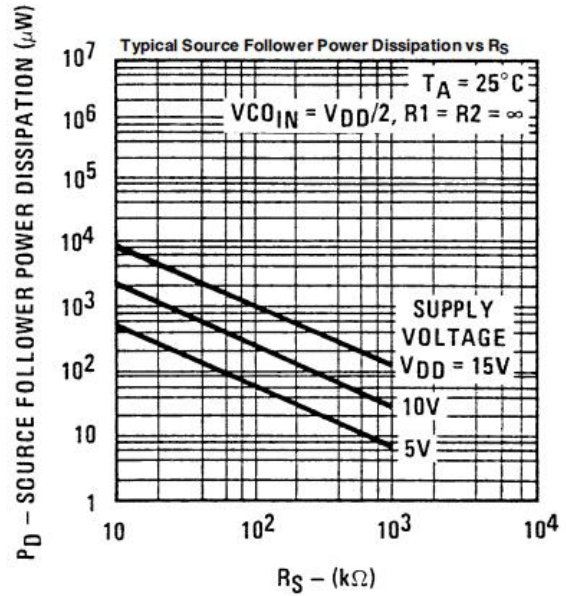


FIGURE 6c

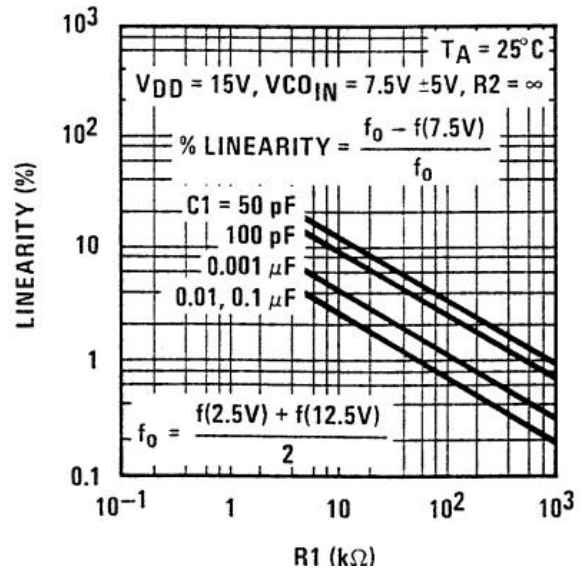
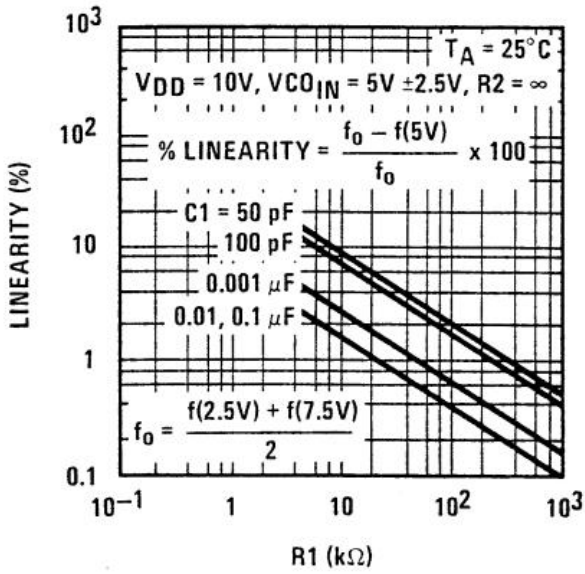
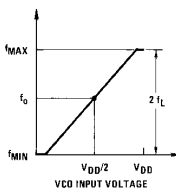
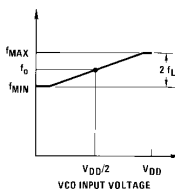
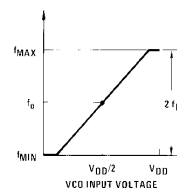
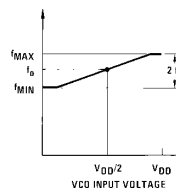
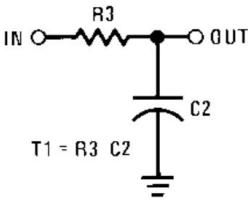
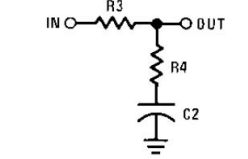


FIGURE 7. Typical VCO Linearity vs R1 and C1

Note: To obtain approximate total power dissipation of PLL system for no-signal input: Phase Comparator I, P_D (Total) - P_D (fo) + P_D (fMIN) + P_D (RS); Phase Comparator II, P_D (Total) - P_D (fMIN).

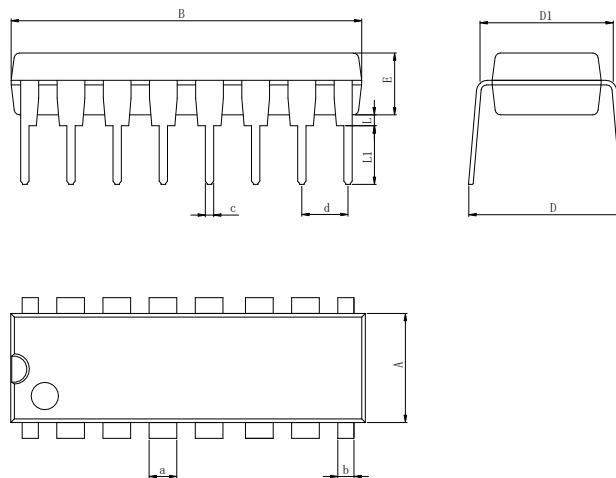
Design Information

This information is a guide for approximating the value of external components for the CD4046B in a phase-locked-loop system. The selected external components must be within the following ranges: R1, R2 ≥ 10 kΩ, RS ≥ 10 kΩ, C1 ≥ 50 pF. In addition to the given design information, refer to Figure 5 for R1, R2 and C1 component selections.

Characteristics	Using Phase Comparator I		Using Phase Comparator II	
	VCO Without Offset R2= ∞	VCO With Offset	VCO Without Offset R2= ∞	VCO With Offset
VCO Frequency				
For No Signal Input	VCO in PLL system will adjust to center frequency, fo		VCO in PLL system will adjust to lowest operating frequency, fmin	
Frequency Lock Range, 2 fL	2 fL = full VCO frequency range 2 fL = fmax - fmin			
Frequency Capture Range, 2 fC		$2f_c \approx \frac{1}{\pi} \sqrt{\frac{2\pi f_L}{\pi 1}}$	fC = fL	
Loop Filter Component Selection		For 2 fC, see Ref.		
Phase Angle Between Single and Comparator	90° at center frequency (fo), approximating 0° and 180° at ends of lock range (2 fL)		Always 0° in lock	
Locks on Harmonics of Center Frequency	Yes		No	
Signal Input Noise Rejection	High		Low	
VCO Component Selection	Given: fo. Use fo with Figure 5a to determine R1 and C1.	Given: fo and fL. Calculate fmin from the equation $f_{min} = f_o - f_L$. Use fmin with Figure 5b to determine R2 and C1. Calculate $\frac{f_{max}}{f_{min}}$ from the equation $\frac{f_{max}}{f_{min}} = \frac{f_o + f_L}{f_o - f_L}$ Use $\frac{f_{max}}{f_{min}}$ with Figure 5c to determine ratio R2/ R1 to obtain R1.	Given: fmax. Calculate fo from the equation $F_o = \frac{f_{max}}{2}$ Use fo with Figure 5a to determine R1 and C1.	Given: fmin and fmax Use fmin with Figure 5b to determine $\frac{f_{max}}{f_{min}}$ Use $\frac{f_{max}}{f_{min}}$ with Figure 5c to determine ratio R2/ R1 to obtain R1.

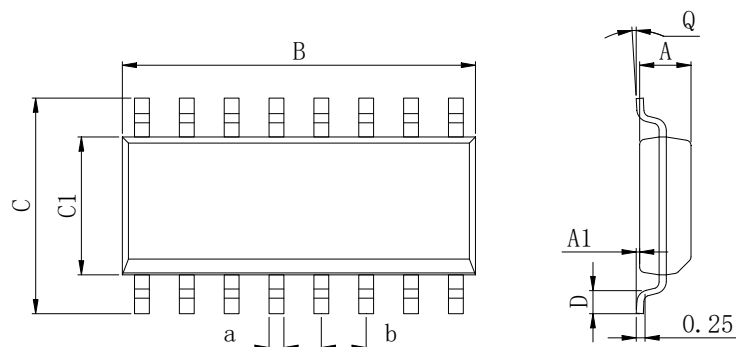
Physical Dimensions

DIP16



Dimensions In Millimeters(DIP16)											
Symbol:	A	B	D	D1	E	L	L1	a	b	c	d
Min:	6.10	18.94	8.40	7.42	3.10	0.50	300	1.50	0.85	0.40	2.54 BSC
Max:	6.68	19.56	9.00	7.82	3.55	0.70	3.60	1.55	0.90	0.50	

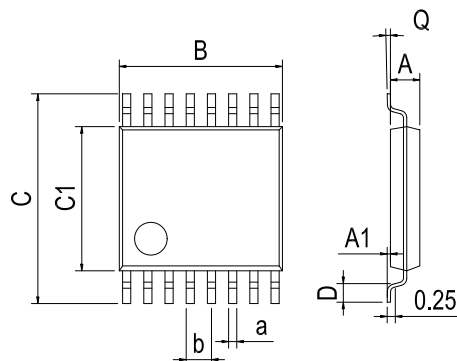
SOP16



Dimensions In Millimeters(SOP16)									
Symbol:	A	A1	B	C	C1	D	Q	a	b
Min:	1.35	0.05	9.80	5.80	3.80	0.40	0°	0.35	1.27 BSC
Max:	1.55	0.20	10.0	6.20	4.00	0.80	8°	0.45	

Physical Dimensions

TSSOP16



Dimensions In Millimeters(TSSOP16)									
Symbol:	A	A1	B	C	C1	D	Q	a	b
Min:	0.85	0.05	4.90	6.20	4.30	0.40	0°	0.20	0.65 BSC
Max:	0.95	0.20	5.10	6.60	4.50	0.80	8°	0.25	

IMPORTANT STATEMENT:

Huaguan Semiconductor reserves the right to change its products and services without notice. Before ordering, the customer shall obtain the latest relevant information and verify whether the information is up to date and complete. Huaguan Semiconductor does not assume any responsibility or obligation for the altered documents.

Customers are responsible for complying with safety standards and taking safety measures when using Huaguan Semiconductor products for system design and machine manufacturing. You will bear all the following responsibilities: select the appropriate Huaguan Semiconductor products for your application; Design, validate and test your application; Ensure that your application meets the appropriate standards and any other safety, security or other requirements. To avoid the occurrence of potential risks that may lead to personal injury or property loss.

Huaguan Semiconductor products have not been approved for applications in life support, military, aerospace and other fields, and Huaguan Semiconductor will not bear the consequences caused by the application of products in these fields.

The technical and reliability data (including data sheets), design resources (including reference designs), application or other design suggestions, network tools, safety information and other resources provided for the performance of semiconductor products produced by Huaguan Semiconductor are not guaranteed to be free from defects and no warranty, express or implied, is made. The use of testing and other quality control technologies is limited to the quality assurance scope of Huaguan Semiconductor. Not all parameters of each device need to be tested.

The documentation of Huaguan Semiconductor authorizes you to use these resources only for developing the application of the product described in this document. You have no right to use any other Huaguan Semiconductor intellectual property rights or any third party intellectual property rights. It is strictly forbidden to make other copies or displays of these resources. You should fully compensate Huaguan Semiconductor and its agents for any claims, damages, costs, losses and debts caused by the use of these resources. Huaguan Semiconductor accepts no liability for any loss or damage caused by infringement.