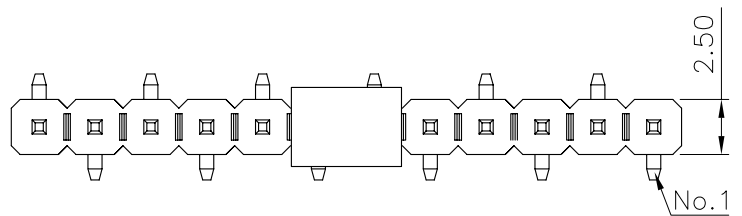


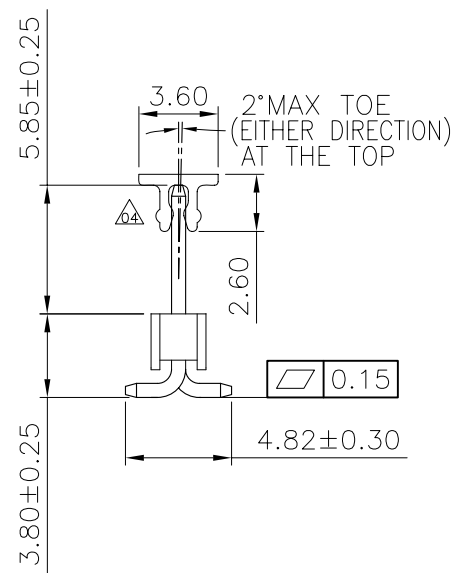
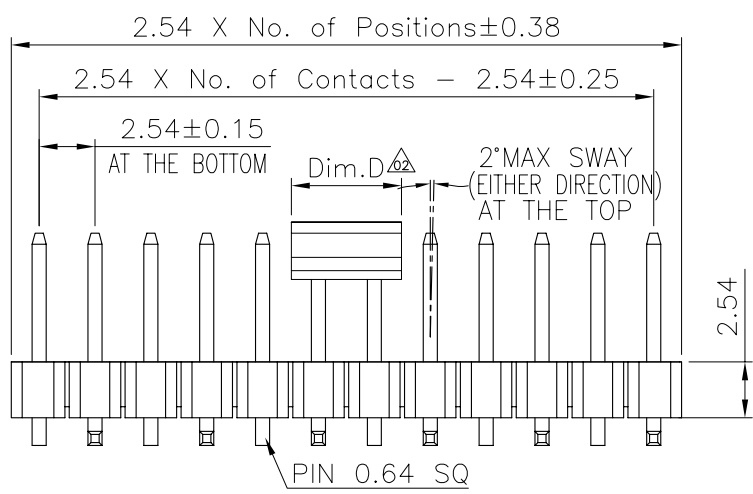
REV.	LOCAS.	DESCRIPTION	DATE	DRAWN
01	NEW	INITIAL RELEASE.	2009.07.14	許承佑
02	△02	變更端子材質及新增CAP配方	2010.07.22	張春進
03	△03	變更圖號	2011.02.25	蒙華明
04	△04	依實物更正CAP外形	2013.11.05	邱明周

F



Dim.D	NOTE
5.00mm	02pins
6.50mm	03~40pins

E



Specifications  
 Current Rating: 3.0Amp  
 Insulation Resistance: 1000MΩMin.  
 Dielectric Withstanding Voltage: 600VAC  
 Contact Resistance: 20mΩMax.  
 Operating Temperature: -40°C to +105°C  
 Materials  
 Contact Material: Brass  
 Insulator Material: High Temperature Thermoplastic, UL 94V-0 LCP or the equivalent material  
 All materials must meet Greenconn requirement for environment protection.

D

C

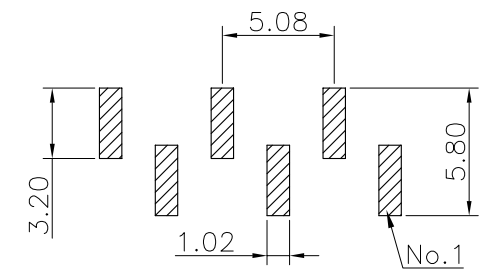
### Ordering Information

G PHC101 - XX XX A 049 C 1 B X

No. of Pins per Row 02~40  
 Standard Plating 02=Gold Flash  
 Selective Plating 01=Tin 05=Gold Flash/Tin

Color 1=Black  
 Standard Packing C=Tube  
 Selective Packing A=Box E=CAP+Tube F=CAP+Tape&Reel

Recommended P.C.Board Layout  
 (Tolerance: ±0.05)



A

<b>格菱股份有限公司</b> <b>Greenconn Corporation</b>		GENERAL TOLERANCE		DESIGN: 邱明周	DATE: 2013.11.05	DWG. NO. △ GPHC101-CA49CB	TITLE: 2.54 PIN HEADER SINGLE ROW SMT TYPE CONNECTOR		
		X. ± 5.0°	X. ± 0.30	CHECKED: 劉北平	DATE: 2013.11.05				
REV. 04	UNIT. mm	SCALE. 3:1	PAGE. 1/1	.X. ± 3.0°	.X. ± 0.25	PART NO. GPHC101-XXXX A049C1BX			
				.XX. ± 2.0°	.XX. ± 0.15			AUDITED: 李輝	DATE: 2013.11.05
				.XXX. ± 1.0°	.XXX. ± 0.10			APPROVED: cc_li	DATE: 2013.11.05