

General Description

The EA2206 is a constant frequency, current mode step-up converter intended for small, low power applications. The EA2206 switches at 1.2MHz and allows the use of tiny, low cost capacitors and inductors 2mm or less in height. Internal soft-start results in small inrush current and extends battery life.

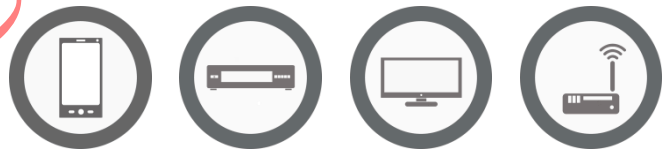
The EA2206 features automatic shifting to pulse frequency modulation mode at light loads. The EA2206 includes under-voltage lockout, current limiting, and thermal overload protection to prevent damage in the event of an output overload. The EA2206 is available in a small 5 pin SOT-23 package.

Features

- ▶ Built-in Low $R_{DS(ON)}$ Power-MOSFETS
- ▶ 2.5V to 5.5V Input Voltage Range
- ▶ Fixed 1.2MHz Switching Frequency
- ▶ 40uA Quiescent Current
- ▶ Internal 1.5A Switch Current Limit
- ▶ Adjustable Output Voltage
- ▶ Internal Compensation
- ▶ Up to 28V Output Voltage
- ▶ Automatic Pulse Frequency Modulation Mode at Light Loads
- ▶ Over 85% Efficiency
- ▶ Available in SOT23-5 Package

Applications

- ▶ Battery-Powered Equipment
- ▶ Set-Top-Box
- ▶ LCD TVs and Flat TVs
- ▶ DSL and Cable Modems



Pin Configurations



Pin Description

Pin Name	Function Description	Pin No.
SWITCH	Power switch output pin. Connect SWITCH pin to power inductor and output rectifier.	1
GND	Ground pin.	2
FBK	Feedback input. Connect FBK pin and GND pin with voltage dividing resistors to set the output voltage.	3
RUN	The device turns on/turns off control input. Don't leave this pin floating.	4
PWR	The EA2206 power input pin. It is recommended to use a 10uF MLCC capacitor between PWR pin and GND pin. The ceramic capacitor must be placed as close to the PWR pin as possible to avoid noise interference.	5

Function Block Diagram

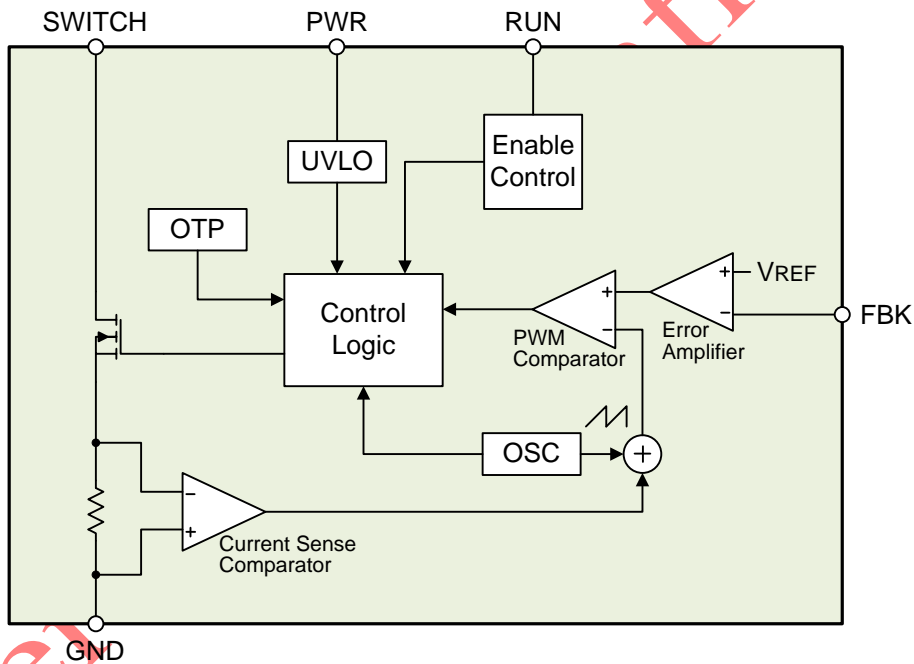


Figure 1. EA2206 internal function block diagram

Absolute Maximum Ratings

Parameter	Value
Input Supply Voltage (V_{PWR})	-0.3V to +6V
RUN Pin Input Voltage (V_{RUN})	-0.3V to +6V
SWITCH Pin Voltage (V_{SWITCH})	-0.3V to +30V
FBK Pin Voltage (V_{FBK})	-0.3V to +6V
Ambient Temperature operating Range (T_A)	-40°C to +85°C
Maximum Junction Temperature (T_{Jmax})	+160°C
Lead Temperature (Soldering, 10 sec)	+260°C
Storage Temperature Range (T_S)	-65°C to +150°C

Note (1): Stresses beyond those listed under "Absolute Maximum Ratings" may cause permanent damage to the device. Exposure to "Absolute Maximum Ratings" conditions for extended periods may affect device reliability and lifetime.

Package Thermal Characteristics

Parameter	Value
SOT-23-6 Thermal Resistance (θ_{JC})	125°C/W
SOT-23-6 Thermal Resistance (θ_{JA})	250°C/W
SOT-23-6 Power Dissipation at $T_A=25^\circ\text{C}$ (P_{Dmax})	0.54W

Note (1): P_{Dmax} is calculated according to the formula: $P_{Dmax}=(T_{Jmax}-T_A)/\theta_{JA}$.

Recommended Operating Conditions

Parameter	Value
Input Supply Voltage (V_{PWR})	+2.5V to +5.5V
Junction Temperature Range (T_J)	-40°C to +125°C

Electrical Characteristics

$V_{PWR}=5V$, $V_{RUN}=5V$, $T_A=25^{\circ}C$, unless otherwise noted

Parameter	Symbol	Test Conditions	Min	Typ	Max	Unit
Input Voltage	V_{PWR}		2.5		5.5	V
Shutdown Supply Current	I_{SD}	$V_{RUN} = 0V$		0.1	1	μA
Quiescent Current (PFM)	I_{Q-PFM}	$V_{FBK} = 1.4V$, Non switching		40	60	μA
Quiescent Current (PWM)	I_{Q-PWM}	$V_{FBK} = 1V$, switching		0.6	1	mA
UVLO Threshold	V_{UVLO}	V_{PWR} Rising		2.2	2.45	V
UVLO Hysteresis	$V_{UV-HYST}$			0.1		V
Reference Voltage	V_{REF}		1.206	1.23	1.254	V
FBK Input Bias Current	I_{FBK}	$V_{FBK} = 1.2V$	-50	-10		nA
Switching Frequency	F_{SW}			1.2		MHz
Maximum Duty Cycle	D_{MAX}		90			%
NMOS On-Resistance	$R_{DS(ON)}$			0.5		Ω
NMOS Current Limit	I_{LIM}	$V_{PWR} = 4.2V$, duty cycle = 50%		1.5		A
SWITCH Leakage Current	$I_{LEAK-SWITCH}$	$V_{SWITCH} = 20V$	-1		1	μA
RUN Pin Input Low Voltage	V_{RUN-L}				0.4	V
RUN Pin Input High Voltage	V_{RUN-H}		1.5			V
Thermal Shutdown Threshold	T_{OTP}			155		$^{\circ}C$

Note (1): MOSFET on-resistance specifications are guaranteed by correlation to wafer level measurements.

(2): Thermal shutdown specifications are guaranteed by correlation to the design and characteristics analysis.

Application Circuit Diagram

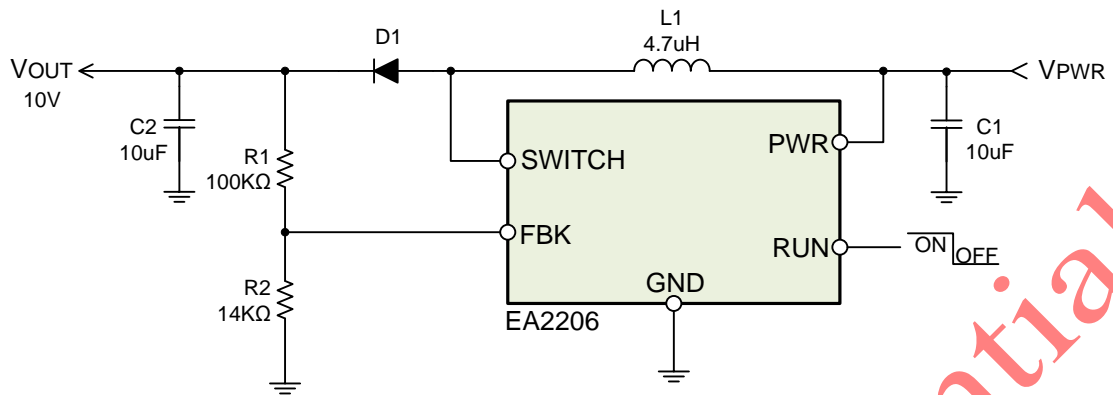


Figure 2. EA2206 typical application circuit diagram

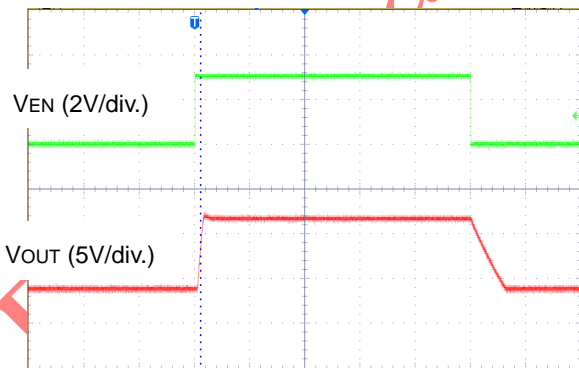
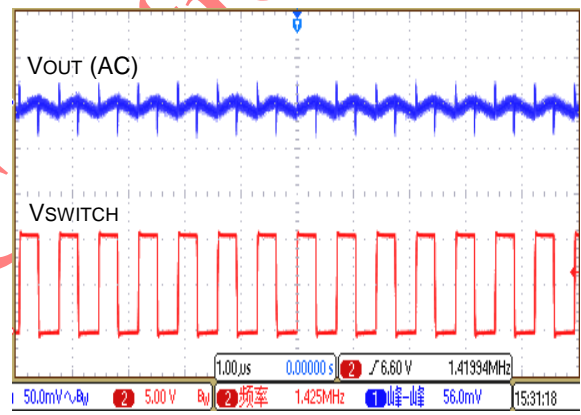
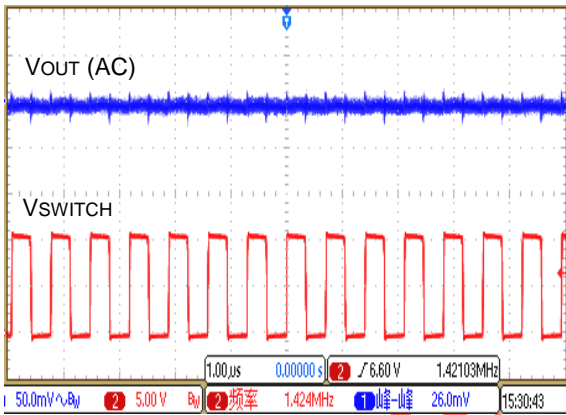
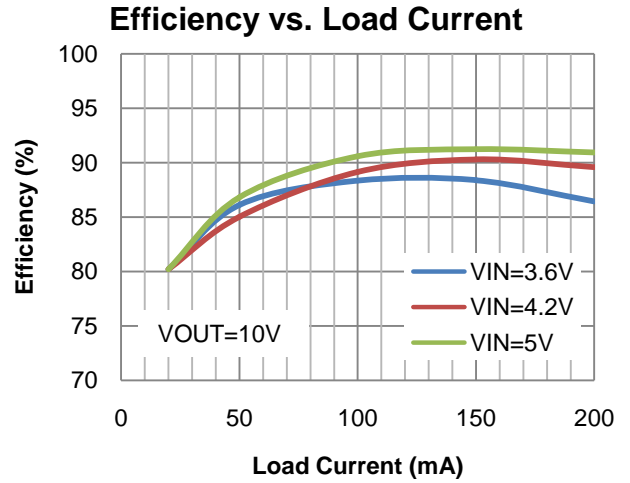
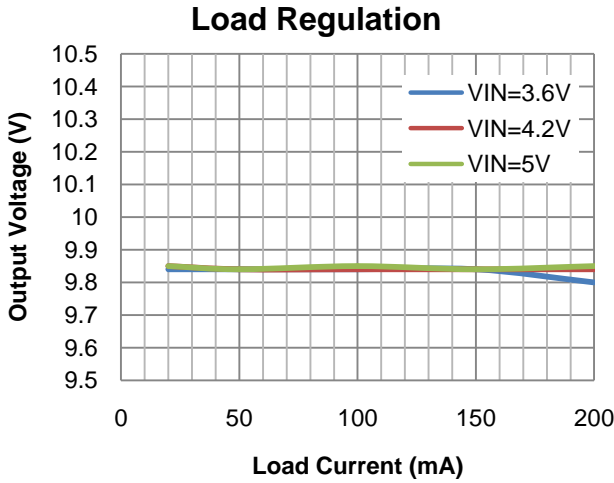
Ordering Information

Part Number	Package Type	Packing Information
EA2206T5R	SOT-23-5	Tape & Reel / 3000

Note (1): "T5": Package type code.
 (2): "R": Tape & Reel.

Typical Operating Characteristics

$V_{PWR}=5V$, $V_{OUT}=10V$, $L1=4.7\mu H$, $C1=C2=10\mu F$, $T_A=25^\circ C$, unless otherwise noted



Application Information

Output Voltage Setting

The EA2206 output voltage can be set via a resistor divider (R1, R2). The output voltage is calculated by following equation:

$$V_{OUT} = 1.23 \times \left(\frac{R1}{R2} + 1 \right) V$$

Input / Output Capacitors Selection

The input capacitors are used to suppress the noise amplitude of the input voltage and provide a stable and clean DC input to the device. Because the ceramic capacitor has low ESR characteristic, so it is suitable for input capacitor use. It is recommended to use X5R or X7R MLCC capacitors in order to have better temperature performance and smaller capacitance tolerance. In order to suppress the output voltage ripple, the MLCC capacitor is also the best choice. The suggested value of input / output capacitors are 10uF.

Inductor Selection

The recommended values of inductor are 4.7uH to 10uH. Small size and better efficiency are the major concerns for portable device. The inductor should have low core loss at 1.2MHz and low DCR for better efficiency. To avoid inductor saturation, the current rating should be considered.

Diode Selection

Schottky diodes with low forward voltages are recommended for EA2206. Ensure the diode current rating exceed the output current and the peak inductor current. The diode's reverse breakdown voltage should be larger than the output voltage.

PCB Layout Recommendations

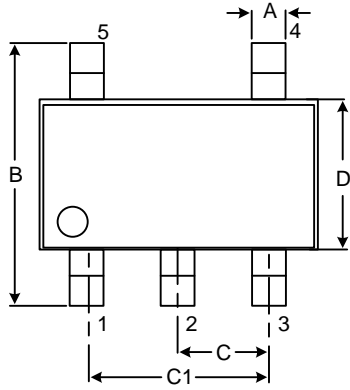
For EA2206 PCB layout considerations, please refer to the following suggestions in order to get good performance.

- ▶ High current path traces need to be widened.
- ▶ Place the input and output capacitors as close as possible to the device to reduce noise interference.
- ▶ The GND pin should be connected to a large area ground plane
- ▶ Keep the feedback path (from V_{OUT} to FBK) away from the noise node (ex. SWITCH).

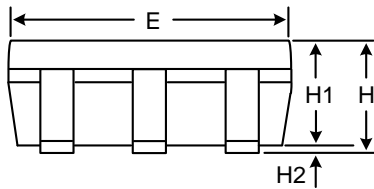
Everanalog Confidential

Package Information

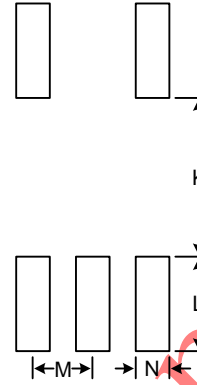
SOT-23-5 Package



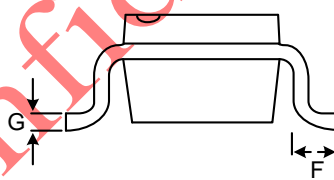
Top View



Side View



Recommended Layout Pattern



Front View

Unit: mm

Symbol	Dimension		Symbol	Dimension
	Min	Max		Typ
A	0.25	0.52	K	1.40
B	2.59	3.01	L	1.40
C	0.85	1.05	M	0.95
C1	1.70	2.10	N	0.65
D	1.40	1.80		
E	2.70	3.10		
F	0.30	0.62		
G	0.08	0.25		
H	0.89	1.35		
H1	0.89	1.20		
H2	0.00	0.15		