



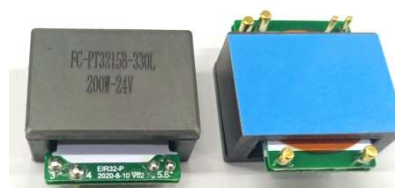
方成电子（东莞）有限公司

SMD Planar power PCB Transformer

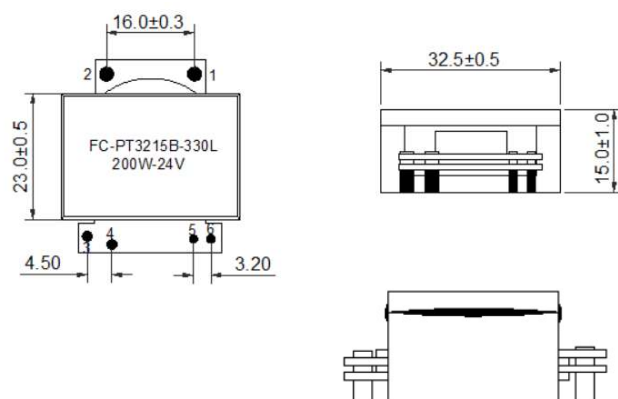
FC-PT3215B-330L200W.

Features:

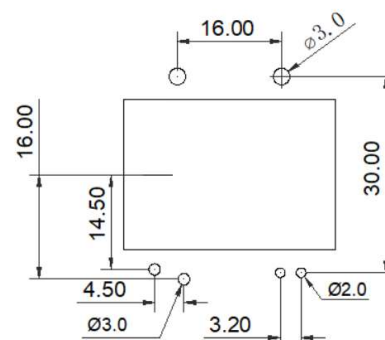
- 1.High power density PCB design.
- 2.Transformer efficiency 95-98%.
- 3.Support design customization.
- 4.Design of DC-DC Application Circuit Flyback circuit.
- 5.Operating temperature: -40°C to $+125^{\circ}\text{C}$



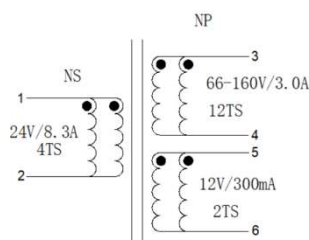
1. Dimensions:mm



2. Recommended Land Pattern: mm



3 .Schematic:



磁芯参数 CORE PARAMETERS	
有效磁路长度 Effective Length L_e	41.8 mm
有效截面积 Effective Cross Area A_e	130.2 mm ²
最小截面积 Minimum Cross Area A_{min}	128.8 mm ²
有效体积 Effective Volume V_e	5442.36 mm ³

4. Electrical Properties

NO.	名称	测量端	测量值	测试条件	标准测试仪器
1	Inductors	L (3--4)	30-35 μH	100KHz, 0.3V, 25 $^{\circ}\text{C}$	HP4284A
2	LK	Lk (3--4)	1.0 μH MAX/0.5typ	100KHz, 0.3V, 25 $^{\circ}\text{C}$	
3	IR	NP~NS	100Mohm MIN	DC500V	MF2511
4	HI-POT	NP-NS	AC1.8KV	5mA 60S	CJ2670
		COIL-CORE	AC0.5KV		

1. Ambient temperature -40°C to $+85^{\circ}\text{C}$
2. Storage temperature Component: -40°C to $+125^{\circ}$