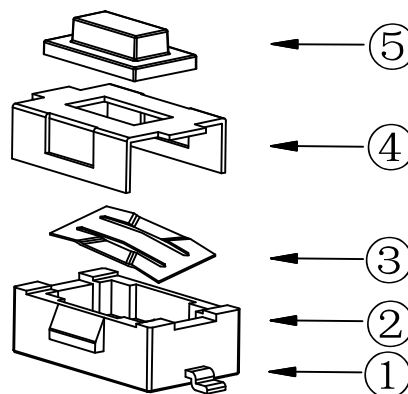
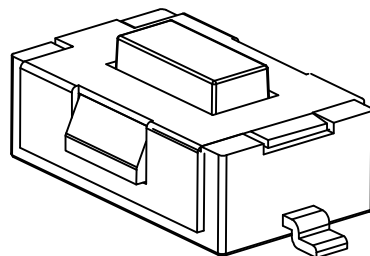
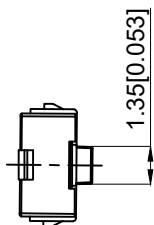
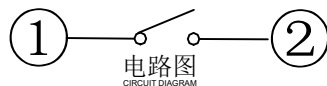
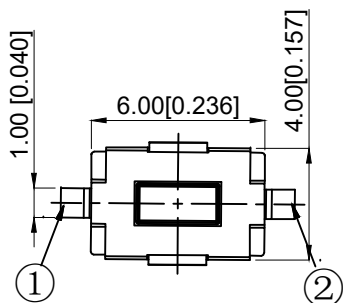


PCB.焊接图  
PCB WELDING DRAWING



NOTES:

1. Rating voltage: 50mA DC12V
1. 额定电流: 50mA DC12V
2. Contact resistance: ≤100mΩ
2. 接触电阻: ≤100mΩ
3. Operating force: 260±50gf
3. 按力: 260±50gf
4. Travel: 0.20±0.10mm
4. 行程: 0.20±0.10mm
5. Insulated resistance: ≥100MΩ
5. 绝缘电阻: ≥100MΩ
6. Dielectric strength: ≥250VAC
6. 介电强度: ≥250VAC
7. Working temperature: -20°C~80°C
7. 工作温度: -20°C~80°C
8. Lifc: 30000 order
8. 寿命: 30000次

5	LED		1	Red 红灯
4	Button 按钮	POM	1	
3	Shrapnel 弹片	SUS	1	
2	Pedestal 基座	PA66	1	
1	Terminal 端子	Brass	4	Ag plating 镀银
NO 序号	Part name 部件名	Material 材料	QTY 数量	Remark 备注

A4				
A3				
A2				
A1				
REV	DATE	REVISION	DESCRIPTION	ISSUE



COMMON TOLERANCE

X.XX	± 0.10
X.X	± 0.15
X	± 0.25

ANGULAR

UNIT	MM	PROJECTED		PRODUCT NAME:
DRAWN BY	FUYUAN	CHECKED BY	COCO	MODEL NO: TP12322625
DATE	2019	APPROVAL B	ALEN	Https: www.rocpu.tw
<b>ROCPCU TECHNOLOGY CO.,LTD</b>				
Copies are issued in strict confidence and shall not be reproduced or copied, or used as the basic of manufacture or sale of apparatus without permission				