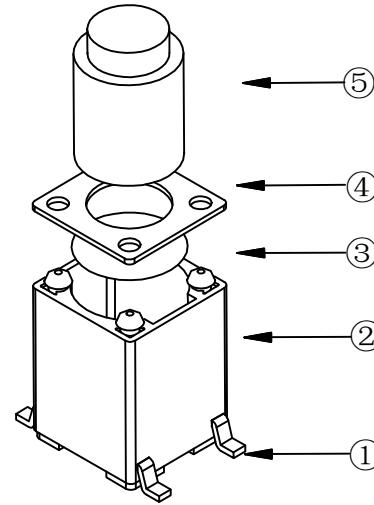
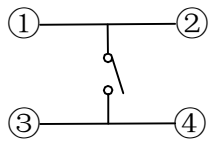
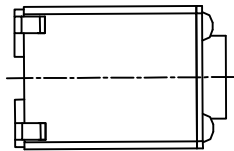
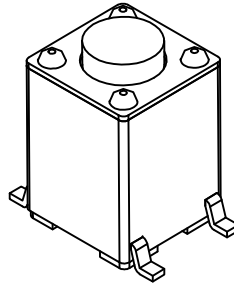
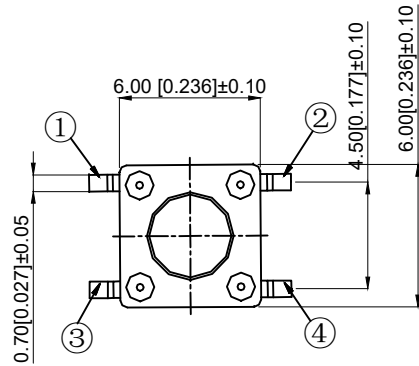


PCB.焊接图
PCB.WELDING DRAWING



NOTES:

- 1.Rat voltage: 50mA DC12V
- 1.额定电流:50mA DC12V
- 2.Contact Resistance:≤100mΩ
- 2.接触电阻: ≤100mΩ
- 3.Operating force:260g±50gf
- 3.按力: 260g±50gf
- 4.Travel: 0.25±0.1mm
- 4..行程: 0.25 + 0.1mm
- 5.Insulation Resistance:≥100MΩ
- 5.绝缘电阻: ≥100MΩ
- 6.Dielectric strength: ≥250VAC
- 6.介电强度: ≥250VAC
- 7.Life: 200,000 times
- 7.寿命: 200,000 times
- 8.Operating Temperature:-20 to ~80℃
- 8.使用温度: -20 to ~80℃



电路图
CIRCUIT DRAMGRAM

5	Push-button 按钮	PPA	1	Black 黑色
4	Blind flange 盖板	Iron cover plate 铁盖板	1	Copper tin plating 镀铜锡
3	Shrapnel 弹片	SUS	1	Ag plating 镀银
2	Noumenon 本体	PPA	1	Black 黑色
1	Card 卡件	Brass	1	Ag plating 镀银
NO 序号	Part name 部件名	Material 材料	QTY 数量	Remark 备注

A4				
A3				
A2				
A1				
REV	DATE	REVISION	DESCRIPTION	ISSUE



COMMON TOLERANCE

X.XX	± 0.10
X.X	± 0.15
X	± 0.25

ANGULAR

UNIT	MM	PROJECTED		PRODUCT NAME:
DRAWN BY	FUYUAN	CHECKED BY	COCO	MODEL NO: TP12922612
DATE	2019	APPROVAL B	ALEN	Https: www.rocpcu.tw
ROCPCU TECHNOLOGY CO.,LTD				
Copies are issued in strict confidence and shall not be reproduced or copied, or used as the basic of manufacture or sale of apparatus without permission				