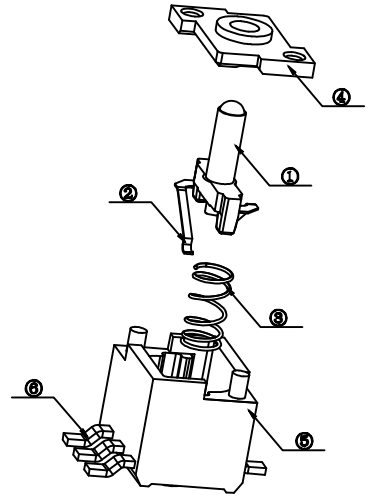
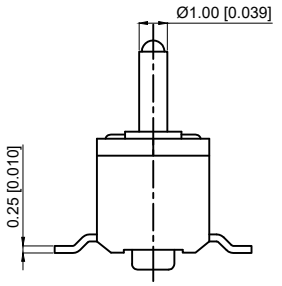
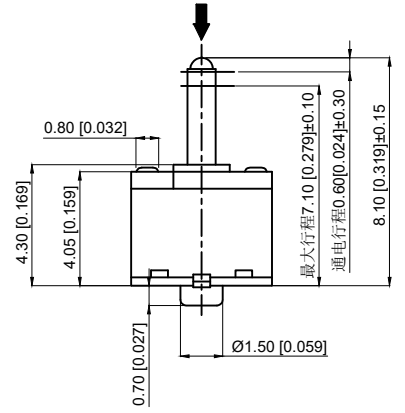


The circuit principle diagram

PCB board installation size



Technical requirement

- 技术要求
1. Rated voltage: 16V (DC)  
1. 额定电压: 16V (DC)  
Rated current: 0.5A  
额定电流: 0.5A
  2. Insulation resistance: ≥ 50M Ω  
2. 绝缘电阻: ≥50MΩ

3. Contact resistance: ≤ 200 Ω  
3. 接触电阻: ≤200mΩ
4. Withstand voltage: AC 250V (50Hz)/min  
4. 耐压: AC 250V (50Hz)/min
5. Operating force: 50g ± 10g  
5. 操作力: 50g±10g
6. Service life: 20000 times  
6. 寿命: 20000次

6	Solder foot 焊锡脚	Brass 黄铜	3	Ag plating 镀银
5	Base 底座	PA46	1	Black 黑色
4	lid 盖子	PA46	1	Black 黑色
3	Spring 弹簧	SUS	1	
2	Shrapnel 弹片	Silver copper 复银铜	1	Ag plating 镀银
1	Press handle 按柄	PA46	1	Black 黑色
NO 序号	Part name 部件名	Material 材料	QTY 数量	Remark 备注

A4				
A3				
A2				
A1				
REV	DATE	REVISION	DESCRIPTION	ISSUE



COMMON TOLERANCE	
X.XX	± 0.10
X.X	± 0.15
X	± 0.25
ANGULAR	—

UNIT	MM	PROJECTED		PRODUCT NAME:
DRAWN BY	FUYUAN	CHECKED BY	COCO	MODEL NO: TP70421
DATE	2019	APPROVAL B	ALEN	Https: www.rocpu.tw

# ROCPCU TECHNOLOGY CO.,LTD

Copies are issued in strict confidence and shall not be reproduced or copied, or used as the basic of manufacture or sale of apparatus without permission