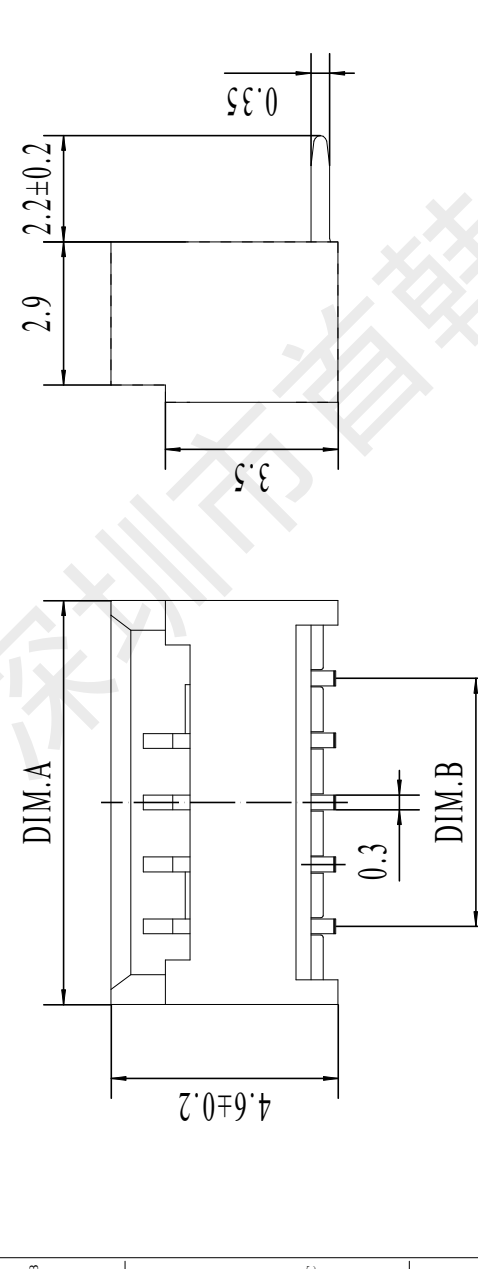
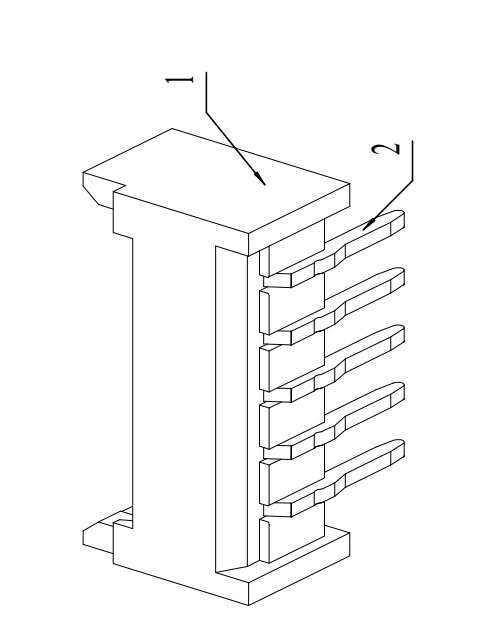


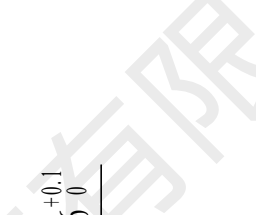
REV.	EC#	DESCRIPTION	DATE	DRAWN	CHECK	APPROVED
1.00		产品制造	2018-04-22			

PIN	n	PCS	DESCRIPTION	UNIT	SCALE	N/A
2			材质:黄铜,电镀:镀亮锡60u"MIN			
1		1	材质:PA6T (耐温 UL94V-0),颜色:米色或黑色			
NO.		QTY	DESCRIPTION			

REV.	CHECK	APPROVED



适应基板厚度: 1.2mm~1.6mm
 温度范围: -25℃~85℃
 额定电压: 125V AC/DC
 额定电流: 1A
 接触电阻: ≤0.02Ω
 绝缘电阻: ≥100MΩ
 耐压: 500V AC/minute



PCB LAYOUT

REV.	CHECK	APPROVED

NO.	NAME	QTY	DESCRIPTION
2	PIN	n	材质:黄铜,电镀:镀亮锡60u"MIN
1	Housing	1	材质:PA6T (耐温 UL94V-0),颜色:米色或黑色
NO.	NAME	QTY	DESCRIPTION

REV.	CHECK	APPROVED

NO.	NAME	QTY	DESCRIPTION
2	PIN	n	材质:黄铜,电镀:镀亮锡60u"MIN
1	Housing	1	材质:PA6T (耐温 UL94V-0),颜色:米色或黑色
NO.	NAME	QTY	DESCRIPTION

REV.	CHECK	APPROVED

技术要求:

- 1) 材质:见附表;
- 2) 电镀:见附表;
- 3) 塑件表面平整、光洁、无毛刺、气泡、烧焦、变形、浇口无拉伤、多料或缺料等不良现象;
- 4) 端子表面无氧化、电镀不良等现象。

REV.	CHECK	APPROVED

REV.	CHECK	APPROVED

REV.	CHECK	APPROVED

REV.	CHECK	APPROVED

REV.	CHECK	APPROVED

REV.	CHECK	APPROVED

REV.	CHECK	APPROVED

REV.	CHECK	APPROVED

REV.	CHECK	APPROVED

REV.	CHECK	APPROVED

REV.	CHECK	APPROVED

REV.	CHECK	APPROVED

REV.	CHECK	APPROVED

REV.	CHECK	APPROVED

REV.	CHECK	APPROVED

REV.	CHECK	APPROVED

REV.	CHECK	APPROVED

REV.	CHECK	APPROVED

REV.	CHECK	APPROVED

REV.	CHECK	APPROVED

REV.	CHECK	APPROVED

REV.	CHECK	APPROVED

REV.	CHECK	APPROVED

REV.	CHECK	APPROVED

REV.	CHECK	APPROVED

REV.	CHECK	APPROVED

REV.	CHECK	APPROVED

REV.	CHECK	APPROVED

REV.	CHECK	APPROVED

REV.	CHECK	APPROVED

REV.	CHECK	APPROVED

REV.	CHECK	APPROVED

REV.	CHECK	APPROVED

REV.	CHECK	APPROVED

REV.	CHECK	APPROVED

REV.	CHECK	APPROVED

REV.	CHECK	APPROVED

REV.	CHECK	APPROVED

REV.	CHECK	APPROVED

REV.	CHECK	APPROVED

REV.	CHECK	APPROVED

REV.	CHECK	APPROVED

REV.	CHECK	APPROVED

REV.	CHECK	APPROVED

REV.	CHECK	APPROVED

REV.	CHECK	APPROVED

REV.	CHECK	APPROVED

REV.	CHECK	APPROVED

REV.	CHECK	APPROVED

REV.	CHECK	APPROVED

REV.	CHECK	APPROVED

REV.	CHECK	APPROVED

REV.	CHECK	APPROVED

REV.	CHECK	APPROVED

REV.	CHECK	APPROVED

REV.	CHECK	APPROVED

REV.	CHECK	APPROVED

REV.	CHECK	APPROVED

REV.	CHECK	APPROVED

REV.	CHECK	APPROVED

REV.	CHECK	APPROVED

REV.	CHECK	APPROVED

REV.	CHECK	APPROVED

REV.	CHECK	APPROVED

REV.	CHECK	APPROVED

REV.	CHECK	APPROVED

REV.	CHECK	APPROVED

REV.	CHECK	APPROVED

REV.	CHECK	APPROVED

REV.	CHECK	APPROVED

REV.	CHECK	APPROVED

REV.	CHECK	APPROVED

REV.	CHECK	APPROVED

REV.	CHECK	APPROVED

REV.	CHECK	APPROVED

REV.	CHECK	APPROVED

REV.	CHECK	APPROVED

REV.	CHECK	APPROVED

REV.	CHECK	APPROVED

REV.	CHECK	APPROVED

REV.	CHECK	APPROVED

REV.	CHECK	APPROVED

REV.	CHECK	APPROVED

REV.	CHECK	APPROVED

REV.	CHECK	APPROVED

REV.	CHECK	APPROVED

REV.	CHECK	APPROVED

REV.	CHECK	APPROVED

REV.	CHECK	APPROVED

REV.	CHECK	APPROVED

REV.	CHECK	APPROVED

REV.	CHECK	APPROVED

REV.	CHECK	APPROVED

REV.	CHECK	APPROVED

REV.	CHECK	APPROVED

REV.	CHECK	APPROVED

REV.	CHECK	AP
------	-------	----



深圳市首韩科技有限公司

SHENZHEN SHOUHAN TECHNOLOGY CO., LTD

Tel: 0755-27597601 Fax: 0755-27597491

承 认 书

SPECIFICATION FOR APPROVAL

客 户 Customer:

产品名称 Project:

插件针座


规格型号 Part No:

1.25mm-8P WZ-MS

贵公司承认印 Approval signatures

料 号/Part No.	签 章/Signatures

日期 Date:

拟制/Drawn	李春风	
审核/Check	钟华华	
批准/Approved	罗孝金	

1、SCOPE: (适用范围)

1.1 This specification covers production and inspection of Connector.

本规范内容适用于本公司普通系列型条形连接器（针座）产品的生产与检验。

2、USE CONDITION: (使用条件)

2.1 Ambient temperature Range:-25℃~+85℃

环境温度：-25℃~+85℃

2.2 Applicable PC board thickness:1.2~1.6mm

适用 PC 板厚度：1.2~1.6 mm

3、Appearance and Dimension: (外观及尺寸)

3.1 Appearance:Product surface without defect、dirt、crack、and mechanical damang, Contact without rust,plating not oxided and not peeled.

产品表面不应有对制品有害的缺陷、污垢、裂痕及机械损伤；接触件无锈蚀、镀层氧化、脱落等现象。

3.2 Dimension:According to drawings

外形尺寸：依照附图

3.3 Exchangable:Exchangable with same specification products.

互换性：相同规格应能互换

4、Material:

材 料 （以图纸为准）

P/N 零件名称	Type 类 型	Material 材 料	Finish 表面处理	Expiain 说 明
Terminal 端子	Contact 插 簧	Phosphor bronze 锡青磷铜 厚 0.15mm	Tin Plating:3~4 μ m 镀锡：3~4 μ m	RoHS Comp liant
Housing 孔 座	Plastic 塑 壳	Nylon66 UL94V-0	Color:White 颜色：白色	
OpeningWafer 开口针座	Contact 插 针	Phosphor bronze 锡青磷铜 厚 0.30mm	Tin Plating:3~4 μ m 镀锡：3~4 μ m	
	Plastic 塑 壳	Nylon46 UL94V-0	Color: Beige 颜色：米色	
Lips Wafer 闭口针座	Contact 插 针	Phosphor bronze 锡青磷铜 厚 0.30mm	Gold Plating:3~4 μ " m 镀金：3~4 μ " m	
	Plastic 塑 壳	PBT UL94V-0	Color: White 颜色：白色	
Tiepian Wafer 卧贴针座 立贴针座	Contact 插 针	Phosphor bronze 锡青磷铜 厚 0.30mm	Tin Plating:3~4 μ m 镀锡：3~4 μ m	
	Solder tabs 焊护耳	Phosphor bronze 锡青磷铜 厚 0.25mm	Tin Plating:3~4 μ m 镀锡：3~4 μ m	
	Plastic 塑 壳	Nylon46 UL94V-0	Color: Beige 颜色：米色	

5、Electrical Performance:

电气性能

NO. 序号	Item 项目	Requirement 技术要求
5.1	Voltage Rated 额定电压	125V AC DC
5.2	Current Rated 额定电流	1A AC DC
5.3	Contact Resistance 接触电阻	$\leq 20 \text{ m}\Omega$
5.4	Insulation Resistance 绝缘电阻	$\geq 100 \text{ M}\Omega$
5.5	Dielectric Strength 耐压	$\geq 500 \text{ V AC/minute}$

6、Mechanical Performance:

机械性能

NO. 序号	Item 项目	Requirement 技术要求
6.1	Male contact Retention force PIN 针固定力	$\geq 10 \text{ N}$ per pin
6.2	Female contact Retention force 端子固定力	$\geq 10 \text{ N}$ per pin
6.3	Plug-in force 插入力	$\leq 3 \text{ N}$ per pin
6.4	Plug-out force 拔出力	$\geq 0.5 \text{ N}$ per pin

7、Endurance Characteristics:

环境性能

NO. 序号	Item 项目	Requirement 技术要求
7.1	Soldering rest 可焊性	Time: $2.5 \pm 0.5 \text{ S}$ 时间: $2.5 \pm 0.5 \text{ S}$ Temperature: $260 \pm 5^\circ \text{C}$ 温度: $260 \pm 5^\circ \text{C}$ Area of Soldering: $\geq 95\%$ 焊锡面积: $\geq 95\%$
7.2	Resistance to soldering Heat 耐焊接热	Time: $5 \pm 1 \text{ S}$ 时间: $5 \pm 1 \text{ S}$ Temperature: $260 \pm 5^\circ \text{C}$ 温度: $260 \pm 5^\circ \text{C}$ Appearance: NO Damage 外观: 无损坏

7.3	Heat test 耐热性	Time:96h 时间: 96 小时 Temperature:+85±3℃ 温度: +85±3℃ Appearance:NO Damage 外观: 无损坏 Contact resistance: ≤20 mΩ 接触电阻: ≤20 mΩ
7.4	Cold test 耐冷性	Time:48h 时间: 48 小时 Temperature:-25±3℃ 温度: -25±3℃ Appearance:NO Damage 外观: 无损坏 Contact resistance:≤20 mΩ 接触电阻: ≤20 mΩ
7.5	Temperature Cycling 温度循环	Low temperature:-25±3℃ 低温: -25±3℃ High temperature:85±3℃ 高温: 85±3℃ For 5 cycles.test after keeping in Normal Condition for 30 min. 5 次循环后, 放置在正常环境中 30 分钟, 在进行测试 Appearance: NO Damage 外观: 无损坏 Contact resistance: ≤20 mΩ 接触电阻: ≤20mΩ
7.6	Invariab lenes humidity 恒定湿热	Temperature:60±2℃ 温度: 60±2℃ Relative humidity:90%-96% RH 相对湿度: 90%-96% RH Tim:96h 时间: 96 小时 Appearance:NO Damage 外观: 无损坏 Contact resistance: ≤20 mΩ 接触电阻: ≤20 mΩ Insulation Resistance: ≥100MΩ 绝缘电阻: ≥100 MΩ
7.7	Salt Spray 盐雾试验	Salt concentration: 5±1% 浓度: 5±1% Temperature:35±2℃ 温度: 35±2℃ Tim:16±2h 时间: 16±2 小时 After salt is removed by running wafer and A drop is removed ,it is measured. 把试验样品从试验箱顶悬挂下来, 采用浓度 (5±1) %的氯化钠溶液, 连续雾化 16 小时, 试验后用流动的蒸馏水 轻轻洗去表面沉积物, 在常温常驻湿条件下恢复 1-2 小时, 外观无损伤 Appearance:NO Damage 外观: 无损坏 Contact resistance: ≤20 mΩ 接触电阻: ≤20 mΩ