

产品规格书 SPECIFICATION

客户名称 CUSTOMER	
产品名称 PRODUCTION	通讯传感器
产品型号 MODEL	SYD-1035R
版本号 VERSION NO	A1.0

广东赛亚传感股份有限公司

地址:广东省东莞市东城街道白银钱五巷2号

[http:// www.saiyasensor.com](http://www.saiyasensor.com) www.saiysensor.com

<http://www.saia.cn> www.saiacn.net

mail: sensor@saiyasensor.com sy@saia.cn



客户确认 CUSTOMER CONFIRMATION	审核 CHECKED BY	编制 PREPARED BY
	李柄	钟小易

声明

本说明书版权属广东赛亚传感股份有限公司(以下称本公司)所有, 未经书面许可, 本说明书任何部分不得复制、翻译、存储于数据库或检索系统内, 也不可以电子、翻拍、录音等任何手段进行传播。

感谢您使用广东赛亚的系列产品。为使您更好地使用本公司产品, 减少因使用不当造成的产品故障, 使用前请务必仔细阅读本说明书并按照所建议的使用方法进行使用。如果用户不依照本说明书使用或擅自去除、拆解、更换传感器内部组件, 本公司不承担由此造成的任何损失。

您所购买产品的颜色、款式及尺寸以实物为准。

本公司秉承科技进步的理念, 不断致力于产品改进和技术创新。因此, 本公司保留任何产品改进而不预先通知的权力。使用本说明书时, 请确认其属于有效版本。同时, 本公司鼓励使用者根据其使用情况, 探讨本产品更优化的使用方法。

请妥善保管本说明书, 以便在您日后需要时能及时查阅并获得帮助。

广东赛亚传感股份有限公司

A. SCOPE

This specification applies Ultrasonic Sensor SMD-1035-0640

B. Features

High S.P.L. and high sensitivity; Compact size ; Very thin ; Open type structure; Automatic soldering.

C. Applications

Object detection; Measuring the distance; Dynamic body detection

D. Overview

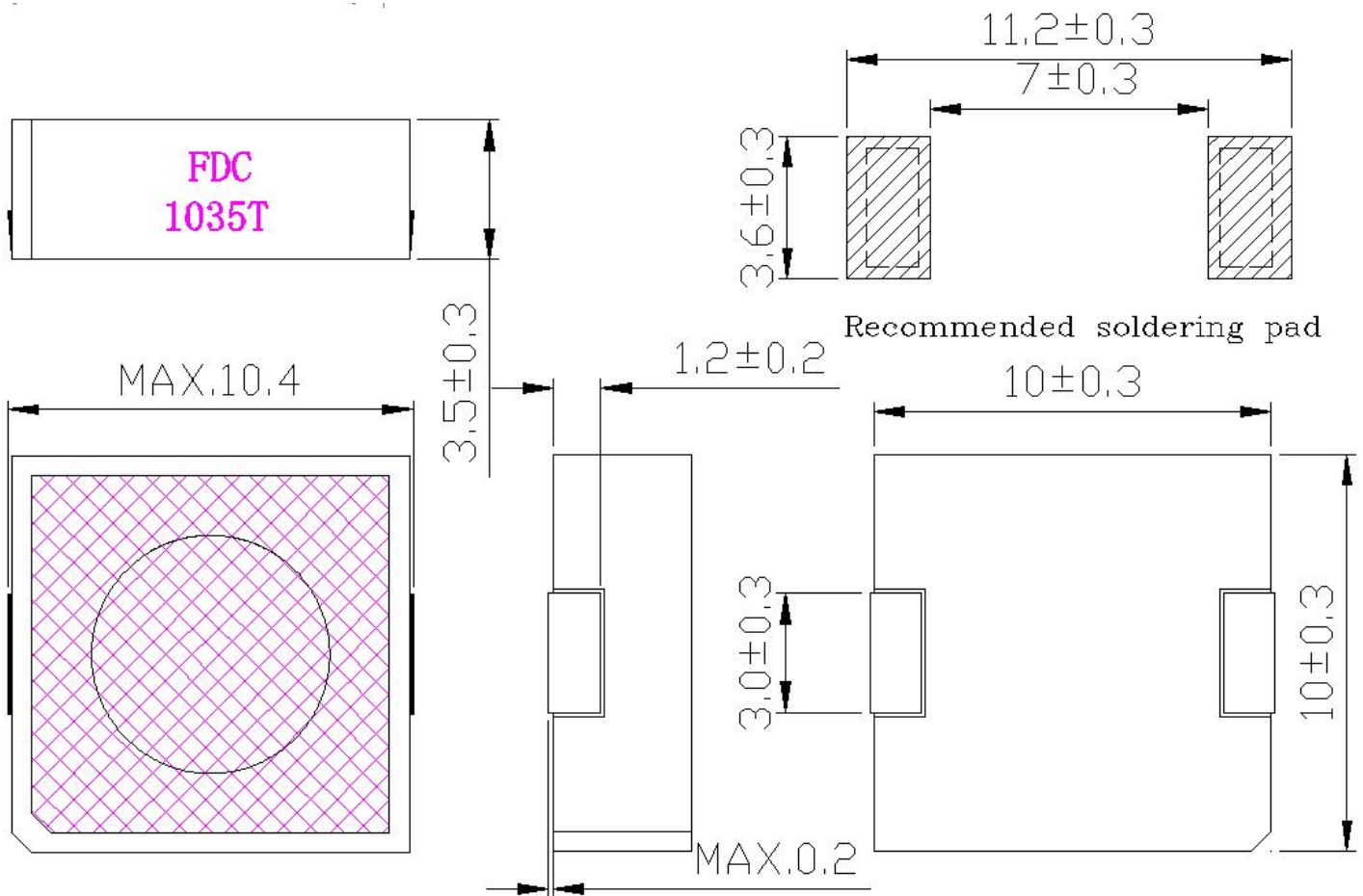
SYD-1035R/SYD-1035S are ultrasonic transducer for various detections. SYD-1035R is used to transmit ultrasonic waves. SYD-1035S is used to receive them. SYD-1035R/SYD-1035S consist of piezoelectric ceramics, metal plate, resonator and resin case. Resonator has like a funnel shape to transmit ultrasonic waves which is generated by vibration of resonator to the air efficiently(or to concentrate ultrasonic waves from the air on the center of resonance).Sound pressure level(S.P.L.) is the most important characteristic for ultrasonic transducers. For example, in measuring distance application, high S.P.L. transducer enables to detect the further distance.

SYD-1035R/SYD-1035S cannot be used in outdoor applications because they are open type structure. And they cannot be used for automotive applications. We can support only for consumer applications.

E. SPECIFICATION

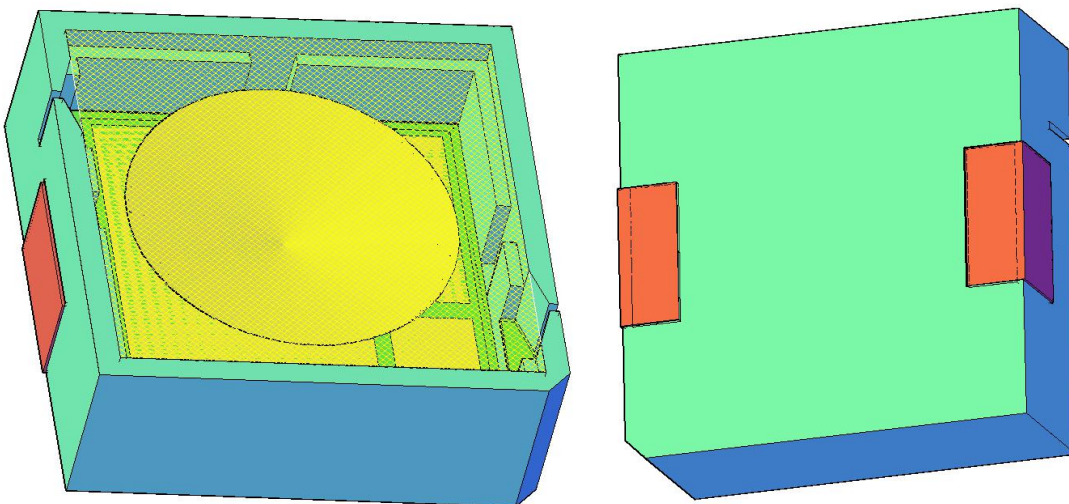
No.	Item	Unit	Specification		
			SYD-1035R-0640	SYD-1035 T-0640	SYD-1035 D-0640
1	Construction		Open		
2	Using method		Receiver	Transmitter	Transmitter/Receiver
3	Nominal Frequency	Hz	40.0±1K		
4	Transmitting Sensitivity	dB	N/A	≥105	≥105
			at 40.0kHz/6Vp-p/15cm/0dB=20uPa		
5	Receiving Sensitivity	dB	≥-75	N/A	≥-75
			at 40.0kHz/6Vp-p/15cm 0dB=1V/Pa		
6	Directivity	deg	±40° (80°, -6 dB)		
7	Capacitance	pF	12000±25%@1KHz		
8	Allowable input voltage	Vrms	30 Vrms @ 40KHz		
9	Detectable range	m	0.2-1.5		
10	Operating Temperature	°C	-30~ +80		
11	Storage Temperature	°C	-40 ~ +85		
12	Housing material		LCP Plastic		
13	Leading wire		Tin Plated Brass(Sn)		
14	Environmental Protection Regulation		RoHS		

F. APPEARANCE DRAWING



Remark: T/Transmitter; R/Receiver; D/Transmitter/Receiver

Tol : ± 0.5 Unit: mm



G. TESTING METHOD

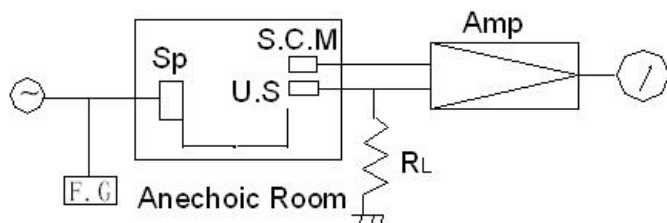
Standard Measurement conditions

Temperature: $25 \pm 2^\circ\text{C}$ Humidity: 45-65%

Acoustic Characteristics:

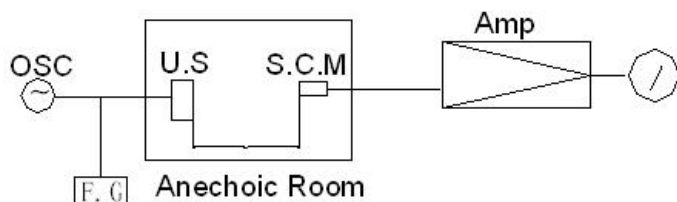
The oscillation frequency, current consumption and sound pressure are measured by the measuring instruments shown below

Receiver



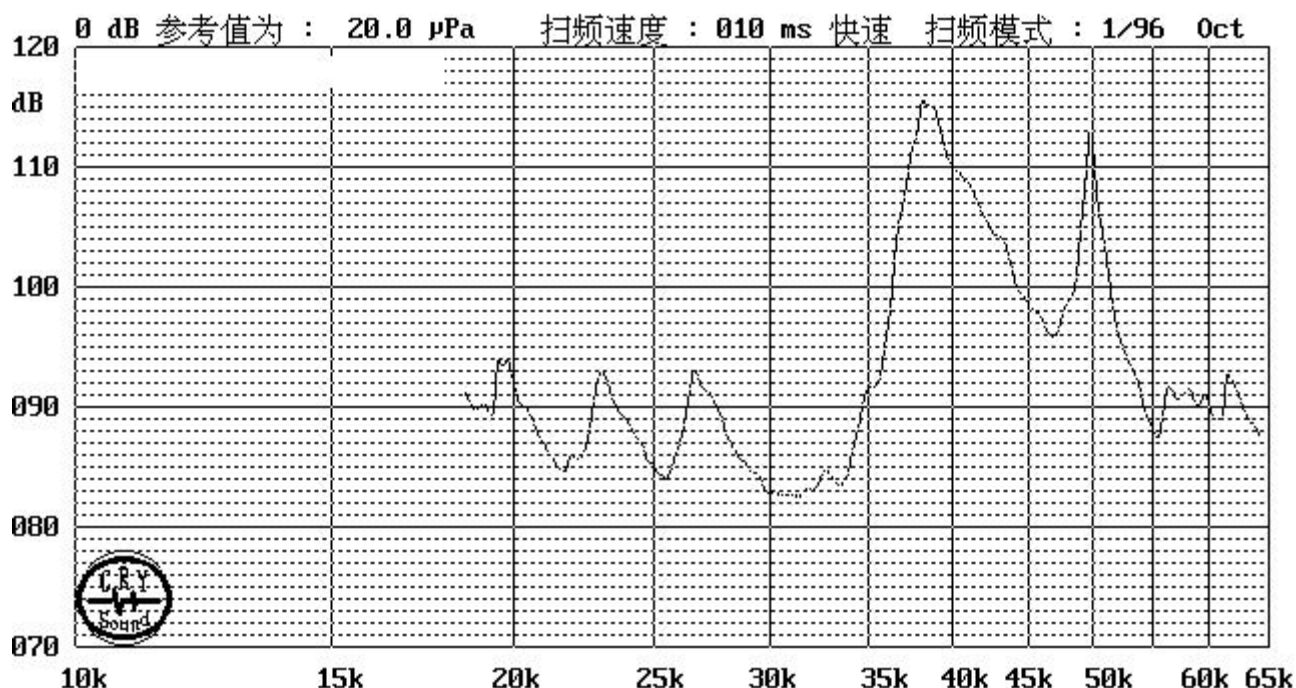
RL: $3.9\text{K}\Omega$
 U.S :Ultrasonic Sensor
 S.C.M:Standard Cappacitor Microphone
 Amp. :Amplifier
 OSC. :Oscillator
 Sp :Tweeter
 F.C :Frequency Counter

Transmitter

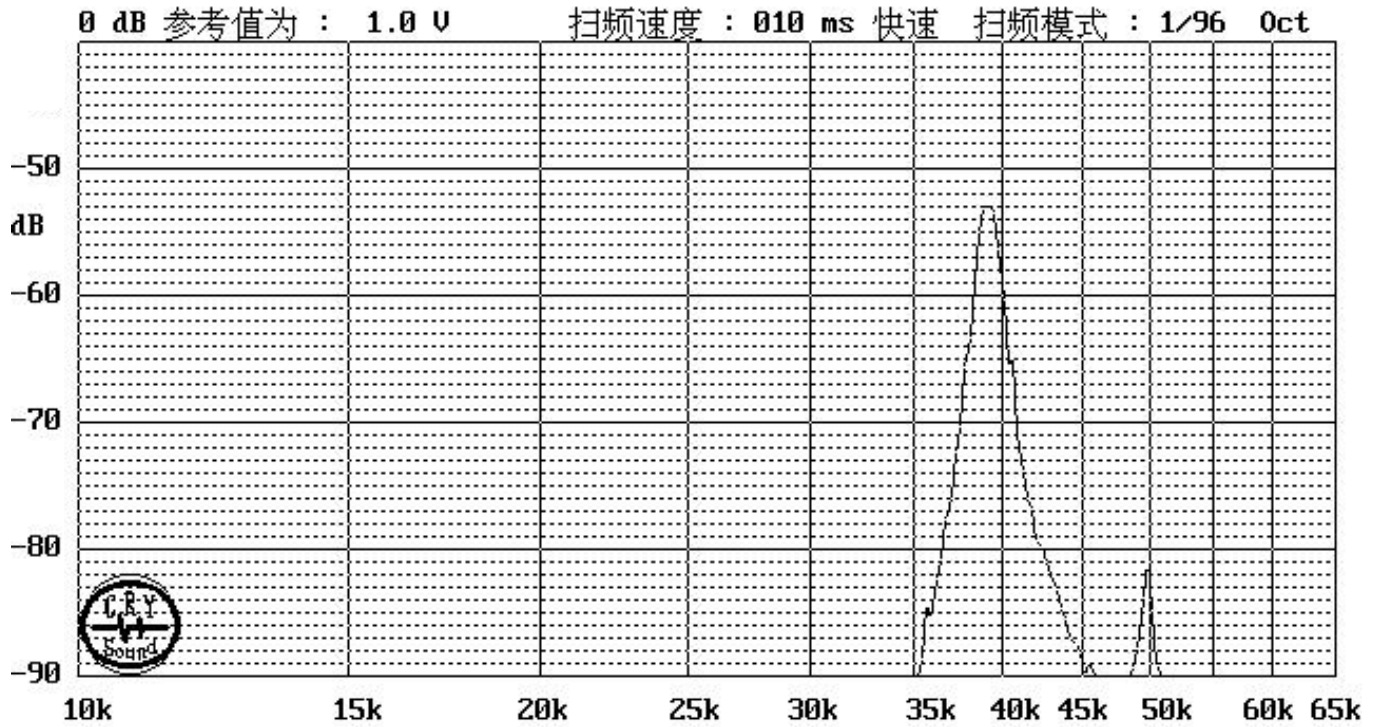


U.S :Ultrasonic Sensor
 S.C.M:Standard Cappacitor Microphone
 Amp. :Amplifier
 Input voltage: 10Vrms
 F.C :Frequency Counter

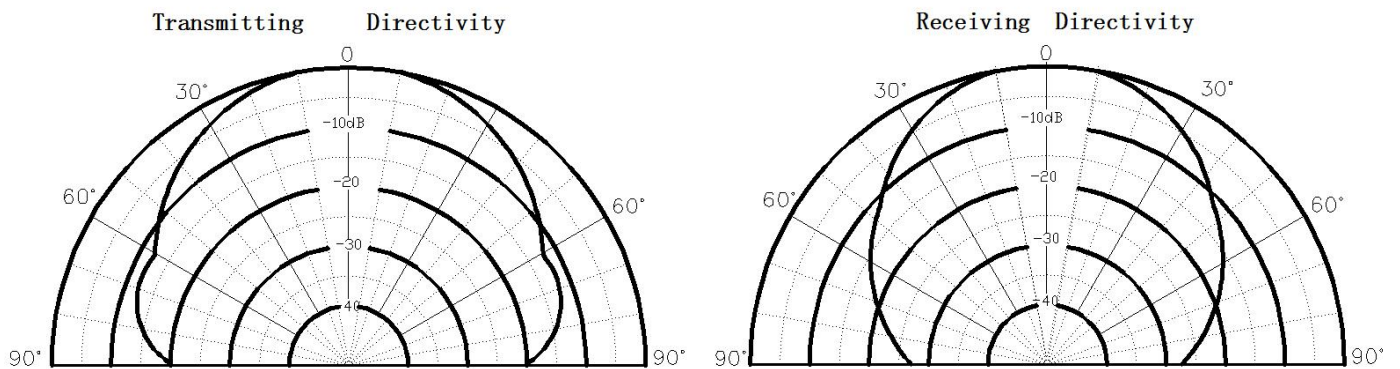
Frequency response characteristic of SPL



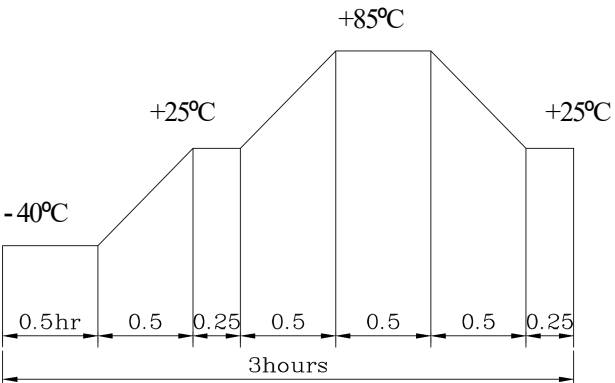
Frequency response characteristic of Sensitivity



Directivity



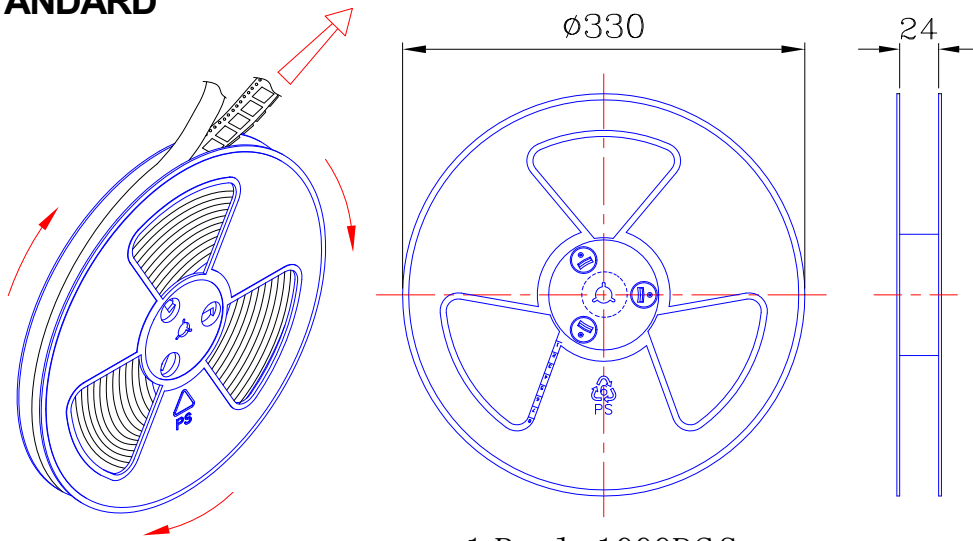
H. RELIABILITY TEST

NO.	ITEM	TEST CONDITION AND REQUIREMENT
1	High Temperature Test (Storage)	After being placed in a chamber with $85\pm 2^{\circ}\text{C}$ for 100 hours and then being placed in normal condition for 2 hours. Allowable variation of SPL after test: $\pm 6\text{dB}$.
2	Low Temperature Test (Storage)	After being Placed in a chamber with $-40\pm 2^{\circ}\text{C}$ for 100 hours and then being placed in normal condition for 2 hours. Allowable variation of SPL after test: $\pm 6\text{dB}$.
3	Humidity Test	After being Placed in a chamber with 90-95% R.H. at $60\pm 2^{\circ}\text{C}$ for 100 hours and then being placed in normal condition for 2 hours. Allowable variation of SPL after test: $\pm 6\text{dB}$.
4	Temperature Cycle Test	<p>The part shall be subjected to 50cycles. One cycle shall be consist of:</p>  <p>Allowable variation of SPL after test: $\pm 6\text{dB}$.</p>
5	Drop Test	Drop on a hard wood board of 4cm thick, any directions ,6 times, at the height of 75cm . Allowable variation of SPL after test: $\pm 6\text{dB}$.
6	Vibration Test	After being applied vibration of amplitude of 1.5mm with 10 to 55 Hz band of vibration frequency to each of 3 perpendicular directions for 2 hours . Allowable variation of SPL after test: $\pm 6\text{dB}$.
7	Solderability Test	Lead terminals are immersed in rosin for 5 seconds and then immersed in solder bath of $+260\pm 5^{\circ}\text{C}$ for 3 ± 1 seconds . 90% min. lead terminals shall be wet with solder (Except the edge of terminals).
8	Terminal Strength Pulling Test	The force of 9.8N(1.0kg) is applied to each terminal in axial direction for 10 seconds. No visible damage and cutting off.

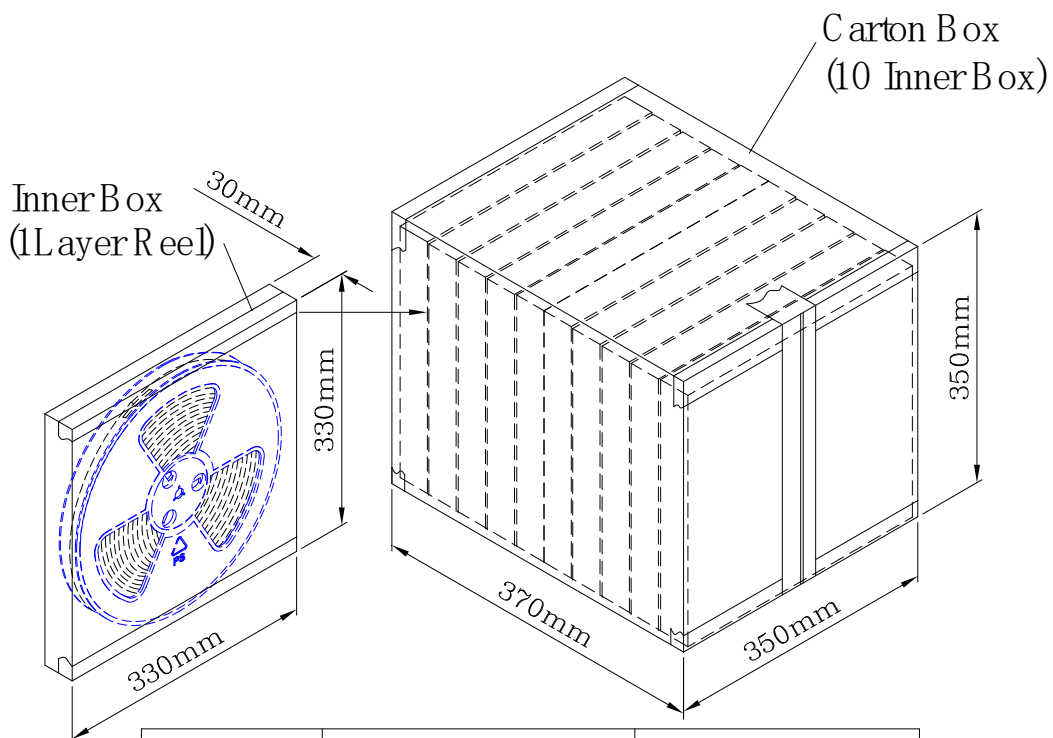
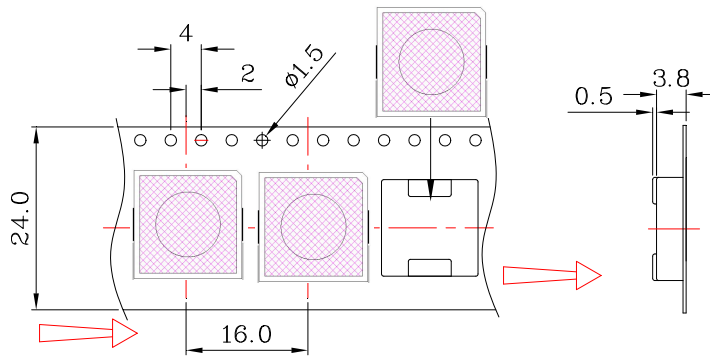
TEST CONDITION.

Standard Test Condition	:	a) Temperature : $+5 \sim +35^{\circ}\text{C}$	b) Humidity : 45-85%	c) Pressure : 860-1060mbar
一般测试条件	:	a) 温度 : $+5 \sim +35^{\circ}\text{C}$	b) 湿度 : 45-85%	c) 气压 : 860-1060mbar
Judgment Test Condition	:	a) Temperature : $+25 \pm 2^{\circ}\text{C}$	b) Humidity : 60-70%	c) Pressure : 860-1060mbar
争议时测试条件	:	a) 温度 : $+25 \pm 2^{\circ}\text{C}$	b) 湿度 : 60-70%	c) 气压 : 860-1060mbar

I. PACKING STANDARD



1 Reel : 1000PCS



Inner Box	330m m x330m m x30m m	1x1000PCS=1000PCS
Carton Box	350m m x350m m x370m m	10x1000PCS=10,000PCS