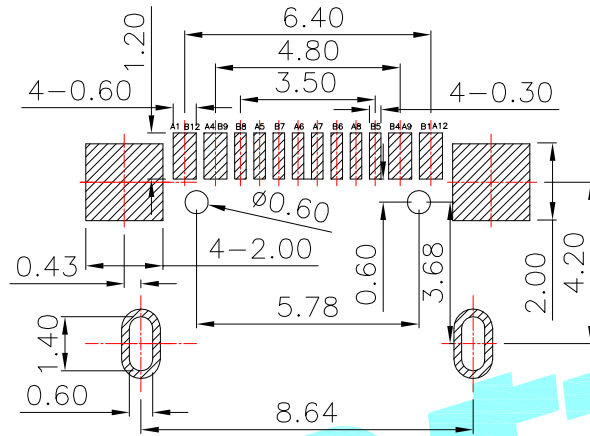
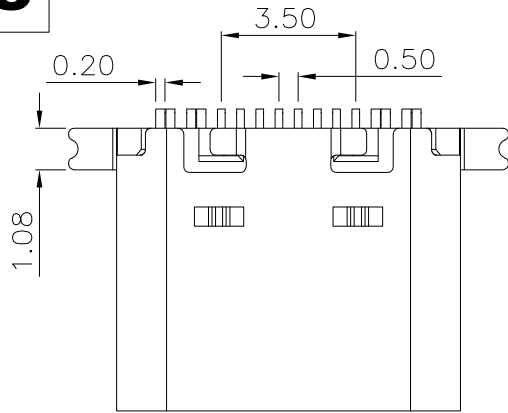


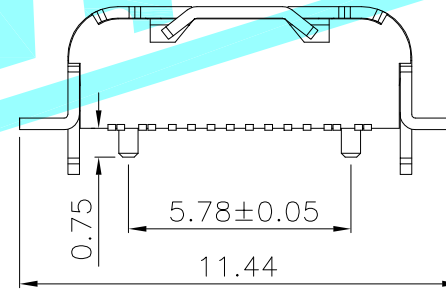
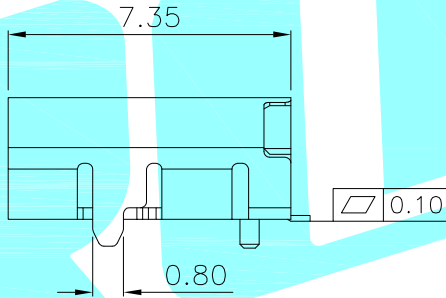
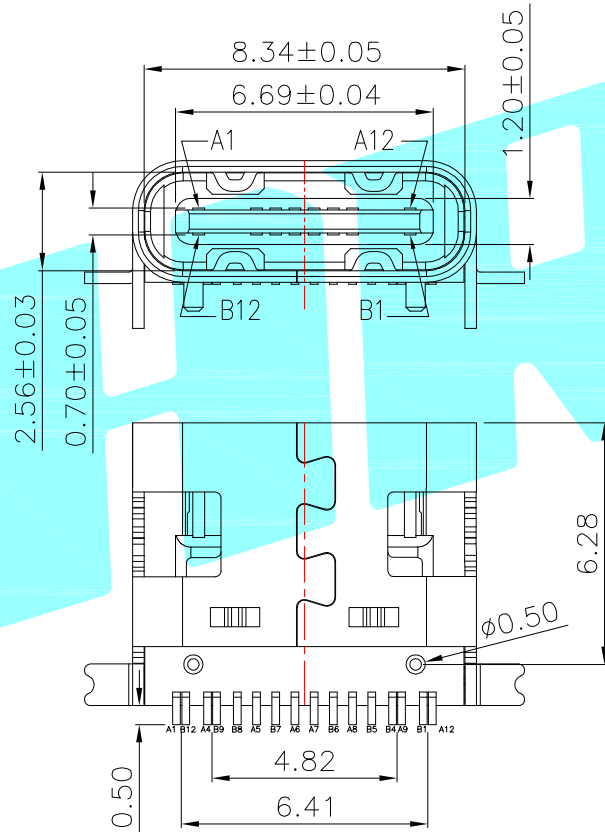
# ROHS


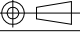


RECOMMENDED PCB LAYOUT  
TOL: ( $\pm 0.05$ )

NOTE:

- 1.MATERIAL SPECIFICATION:
  - 1.HOUSING: LCP ,BLACK.
  - 2.CONTACTS: COPPER ALLOY
  - 3.SHELL: SUS
- 2.PLATING SPECIFICATION:
  - 2-1.CONTACTS: Au PLATED ON THE FUNCTIONAL AREA OF CONTACT.
  - 2-2.FRONT SHELL: Ni 30u" MIN. UNDER PLATED OVER ALL.
- 3.MECHANICAL PERFORMANCE,
  - 3-1.INSERTION FORCE: 5~20N.
  - 3-2.REMOVAL FORCE: 8~20N.
  - 3-3.DURABILITY: 5000 CYCLES.
- 4.ELECTRICAL PERFORMANCE,
  - 4-1. CURRENT RATING: 3A  
VOLTAGE RATING: 20V AC
  - 4-2.INSULATION RESISTANCE: 100MΩ MIN
5. ENVIRONMENTAL PERFORMANCE:
  - OPERATING TEMPERATURE: -40°C~+85°C.



APPROVALS		DATE		 ELECTRONICS CO.,LTD		
DRAWN	LIUCAN	2021.9.16				
CHECKED				PART NO.	TYPE-C-31-M-36	
APPROVALS				UNIT: mm	SCALE: 1:1	PROJ: 
TOLERANCES ARE		30~以上	±0.30	ANGLE	DRAWING NO.	SHEET 1 OF 1
		10~30	±0.25			
		5~10	±0.20			
		~ 5	±0.15			
		±2'				

ECN NO.	REV.	DATE.	DESCRIPTION.	CHANGE.	CHECK.	APPRO.
	A		NEW			