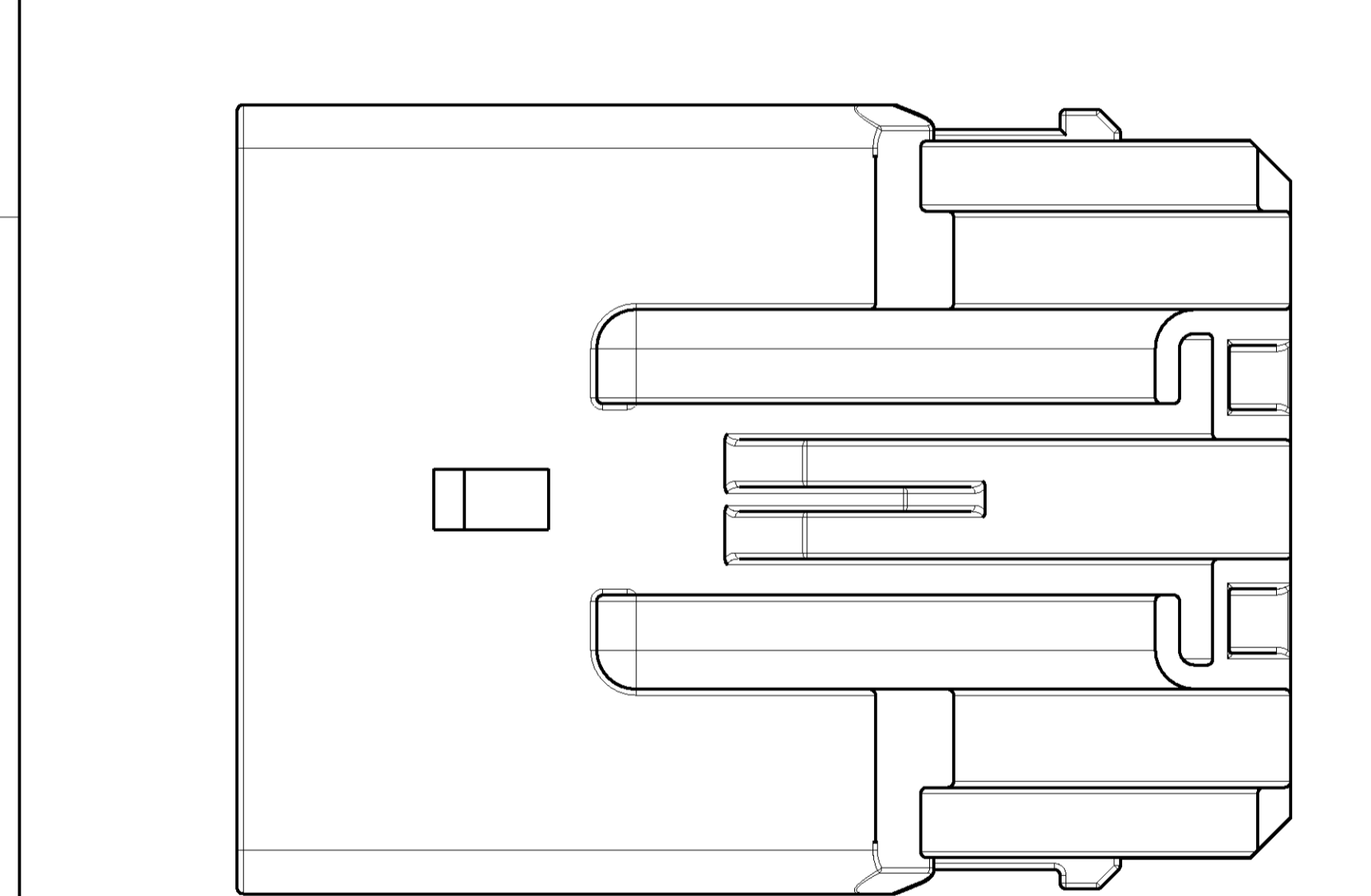
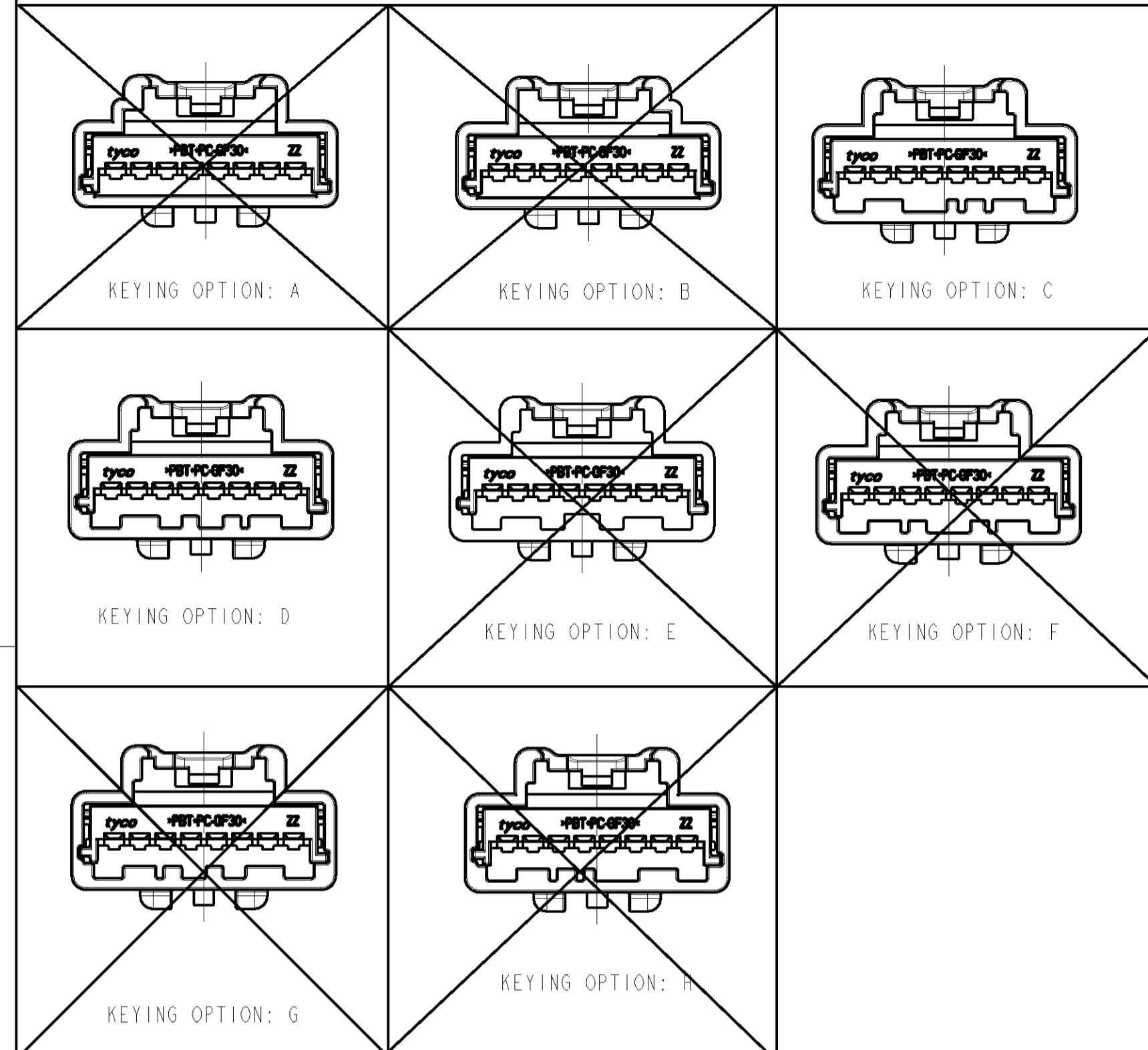
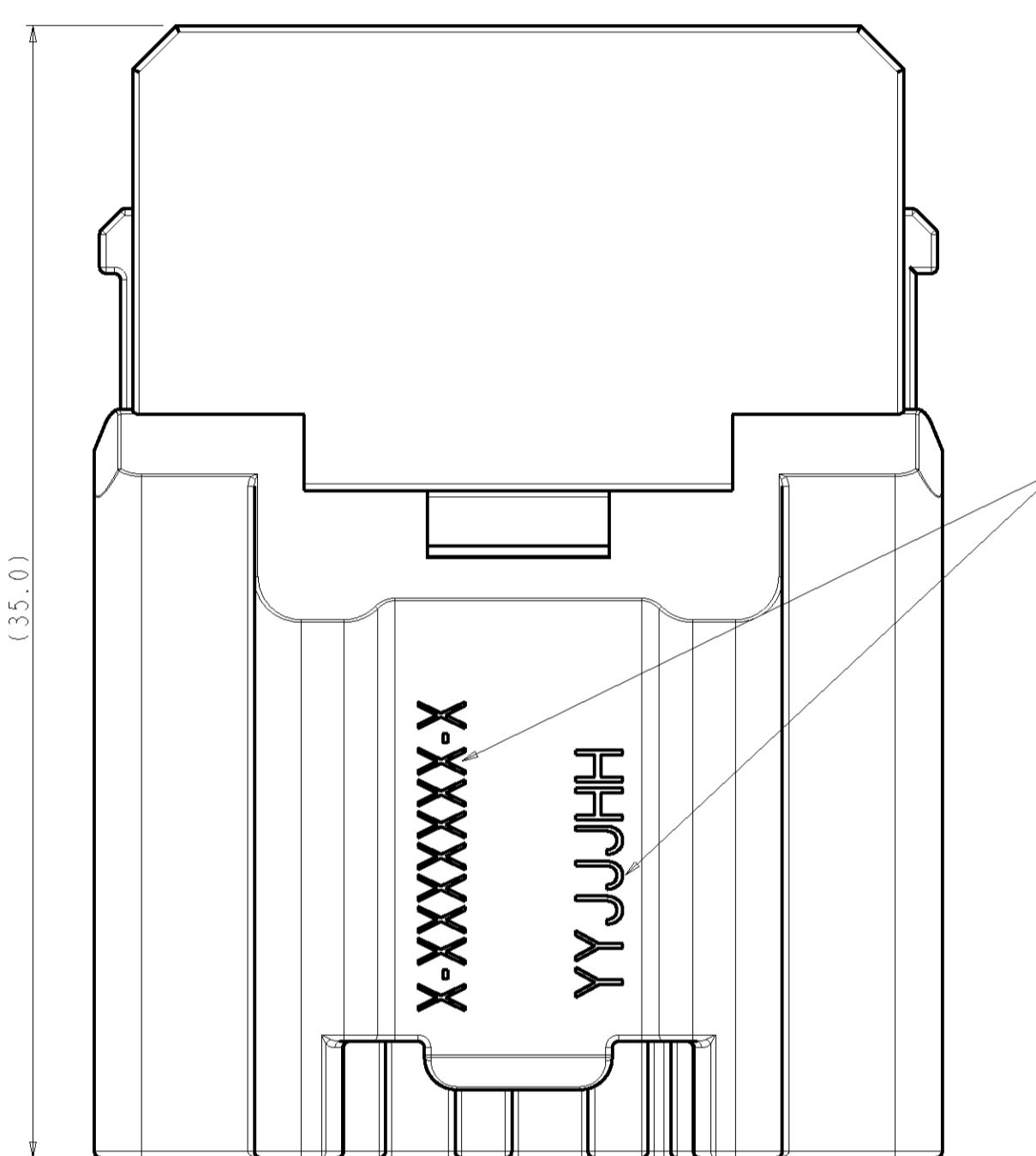
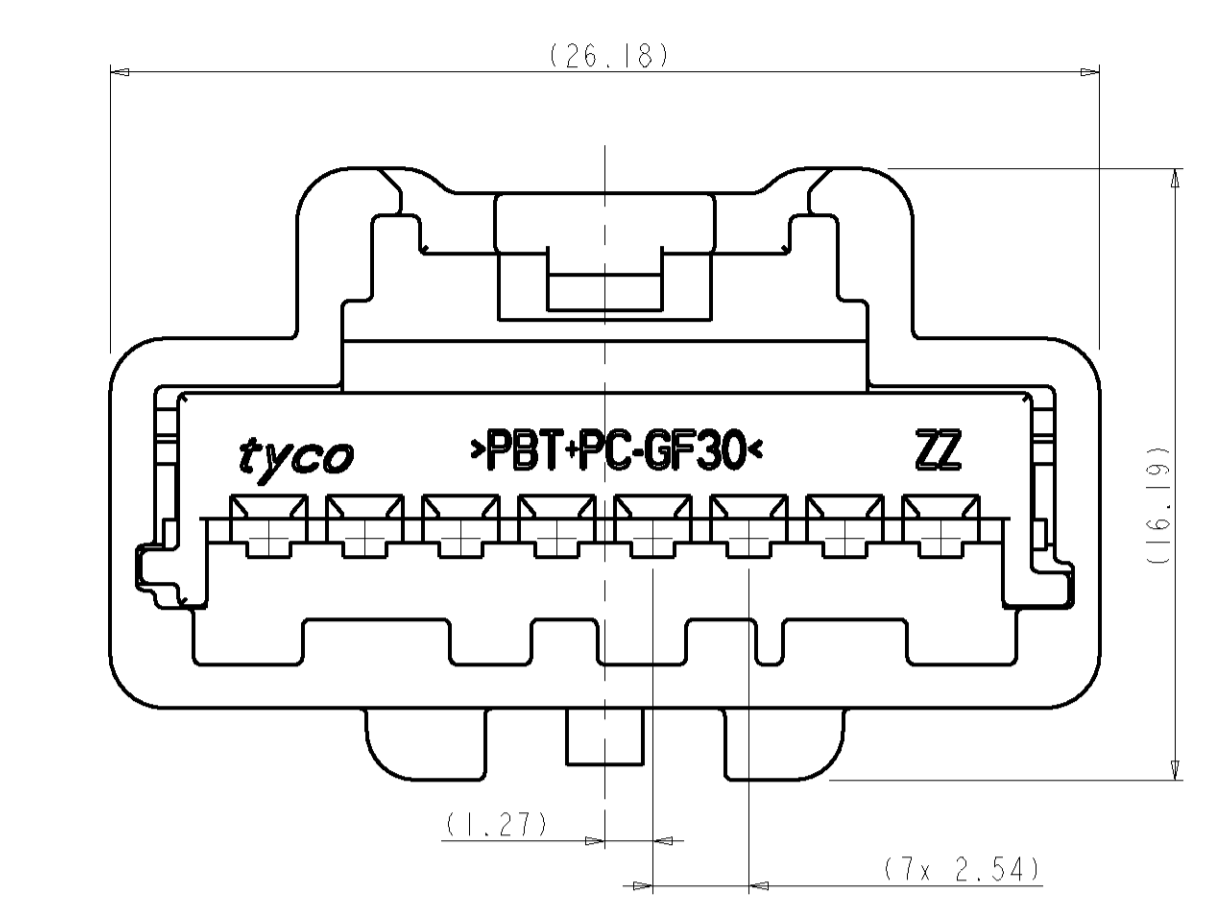
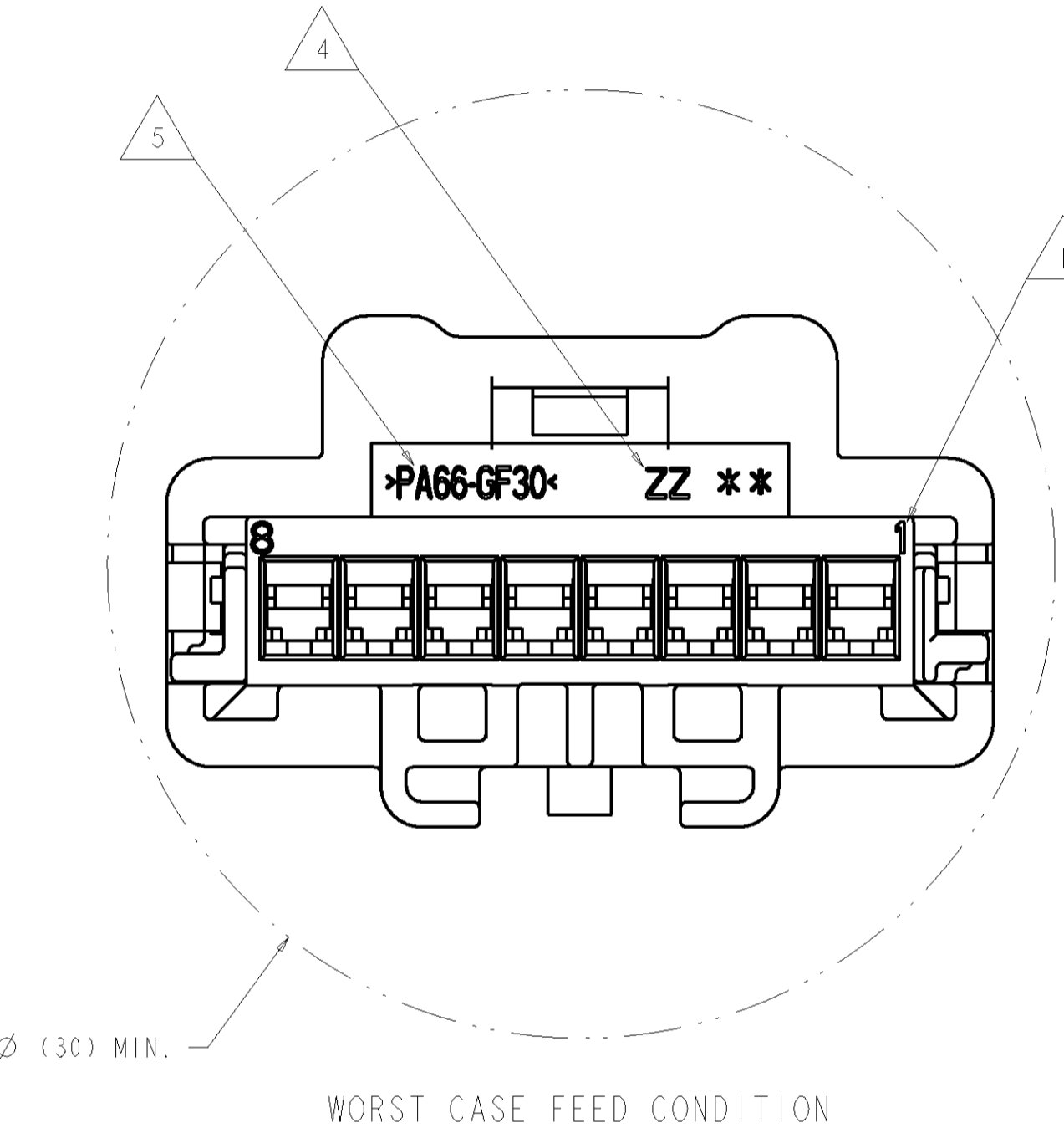
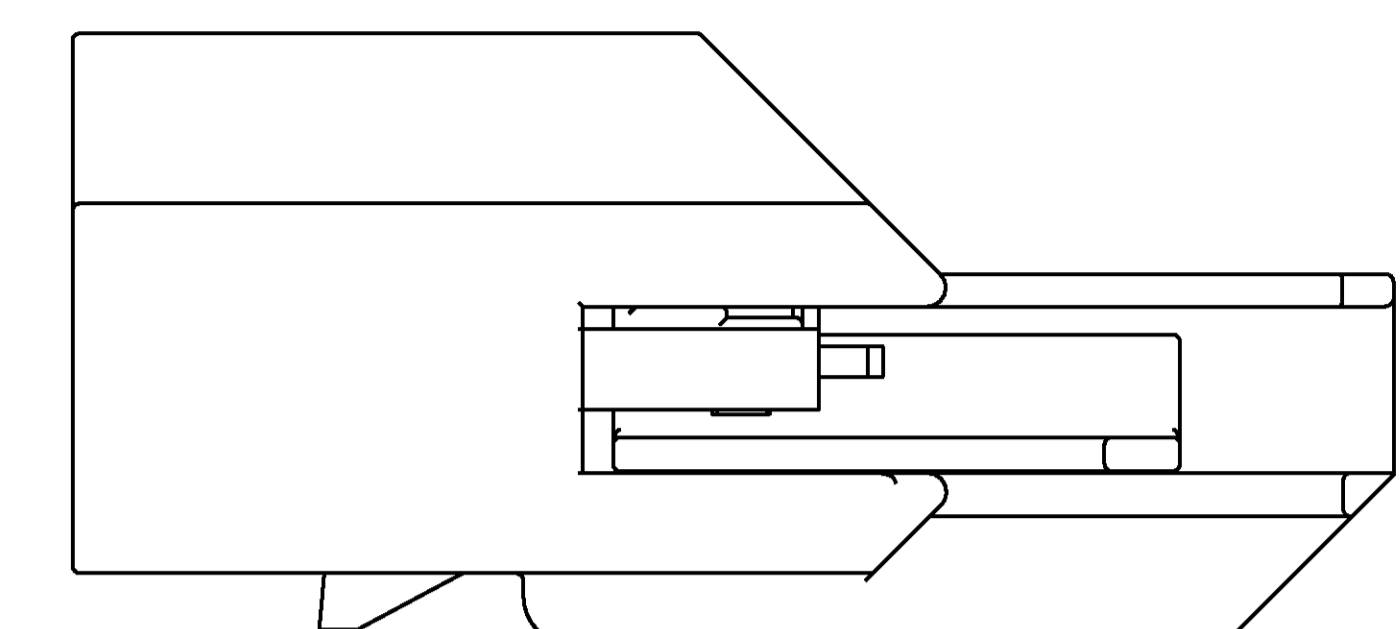


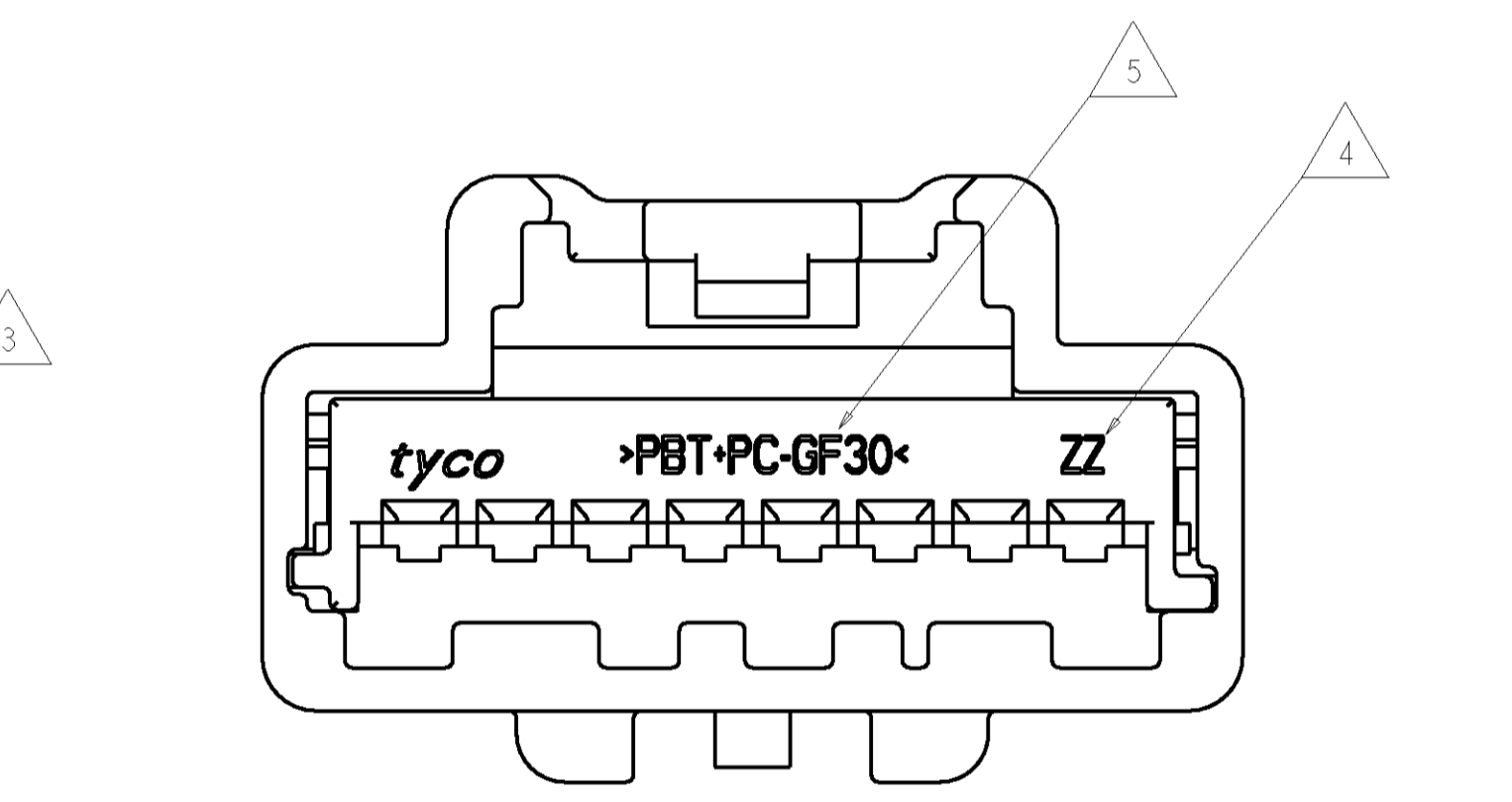
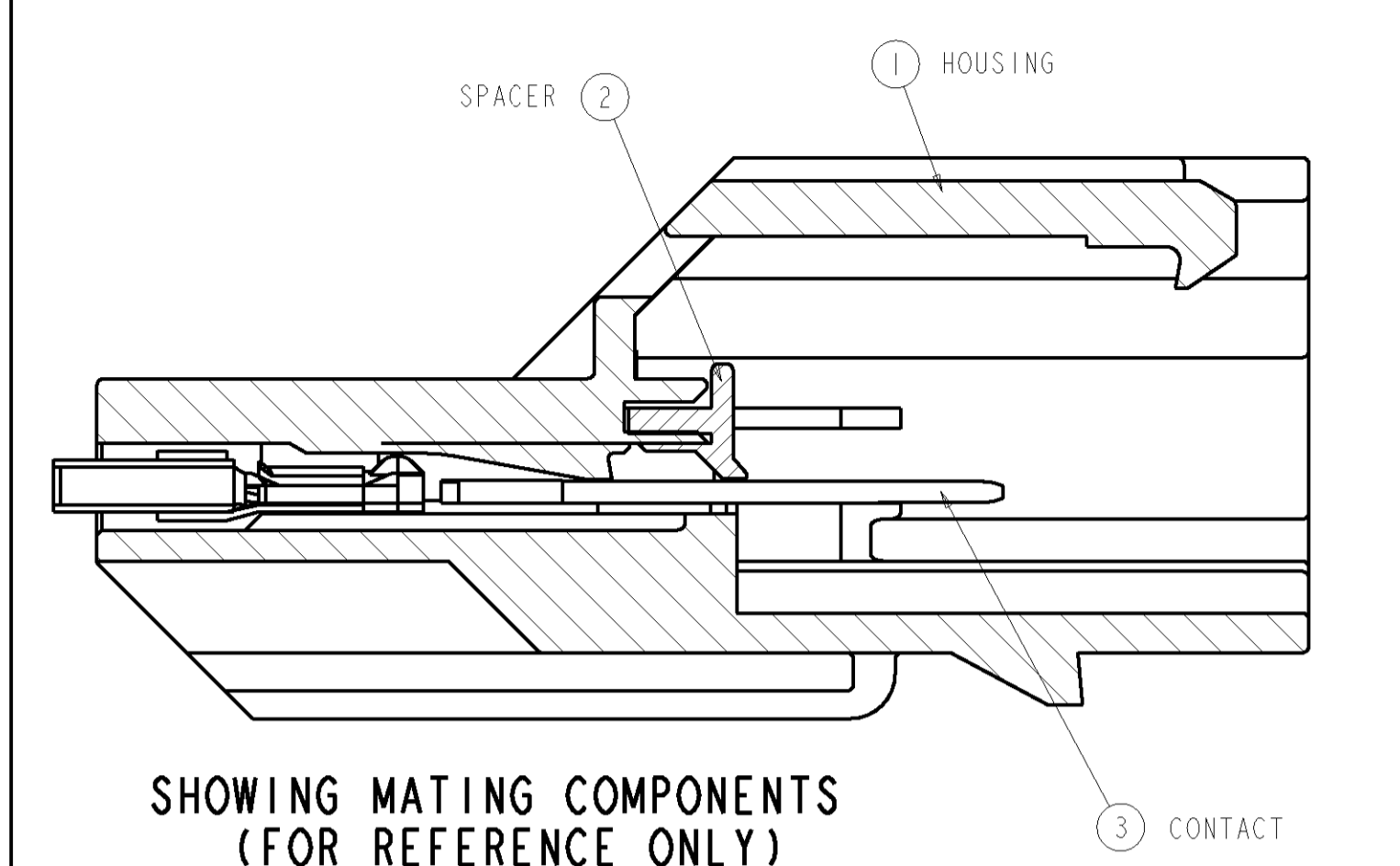
KEYING OPTIONS
(2:1)



- NOTE(S):
- 1. TERMINAL ID
 - 2. DELIVERY CONDITION SPACER IN PRE-ASSEMBLED POSITION
 - 3. PART NUMBER AND TRACEABILITY CODE
 - 4. CAVITY ID
 - 5. MATERIAL IDENTIFICATION
 - 6. PACKING: CONNECTOR ASSEMBLIES BULK PACKED IN CARDBOARD BOX



LOC		DIST		REVISIONS			
F	LTR	DATE	BY	CHK	APPV	DATE	BY
C		23JAN2007	DLD	DCS			



CODING D IS SHOWN

KEYING OPTIONS								ITEM	DESCRIPTION	MATERIAL	COLOR
A	B	C	D	E	F	G	H				
9-1419166-6	9-1419166-7	9-1419166-0	9-1419166-1	9-1419166-2	9-1419166-3	9-1419166-4	9-1419166-5	2	SPACER	>PBT+PC-GF30<	RED
-	-	-	-	-	-	-	-	1	MALE HOUSING COD.H	>PA66-GF30<	BLACK
-	-	-	-	-	-	-	-	1	MALE HOUSING COD.G	>PA66-GF30<	BLACK
-	-	-	-	-	-	-	-	1	MALE HOUSING COD.F	>PA66-GF30<	BLACK
-	-	-	-	-	-	-	-	1	MALE HOUSING COD.E	>PA66-GF30<	BLACK
-	-	-	-	-	-	-	-	1	MALE HOUSING COD.D	>PA66-GF30<	BLACK
-	-	-	-	-	-	-	-	1	MALE HOUSING COD.C	>PA66-GF30<	BLACK
-	-	-	-	-	-	-	-	1	MALE HOUSING COD.B	>PA66-GF30<	BLACK
-	-	-	-	-	-	-	-	1	MALE HOUSING COD.A	>PA66-GF30<	BLACK

--- TYCO PART NUMBER

DIMENSIONS:	TOLERANCES UNLESS OTHERWISE SPECIFIED:	DWN	16MAR2002	Tyco Electronics Harrisburg, PA 17105-3608
mm	0-ELC ±	R. STUBBE	16MAR2002	
MATERIAL	FINISH	CHK	G. STEINBACH	NAME
		APVD		PRODUCT SPEC
				APPLICATION SPEC
				WEIGHT
				CUSTOMER DRAWING

IX8 POSITION, GET, MALE CONNECTOR, UNSEALED, ASSEMBLY

SIZE: A1 CAGE CODE: 00779 DRAWING NO: 9-1419166-0 RESTRICTED TO: C

SCALE: 5:1 SHEET: 1 OF 1 REV: C