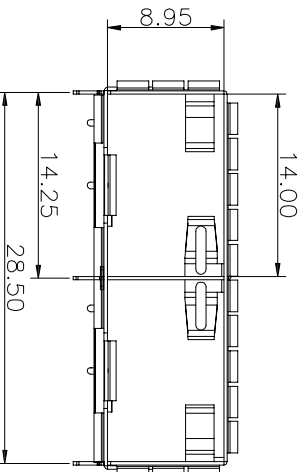
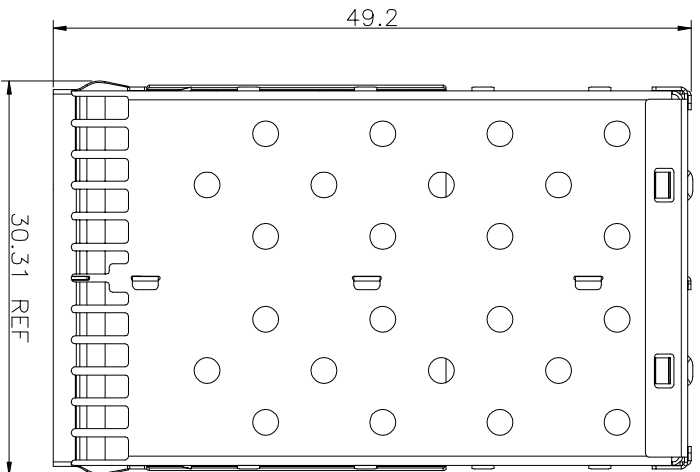
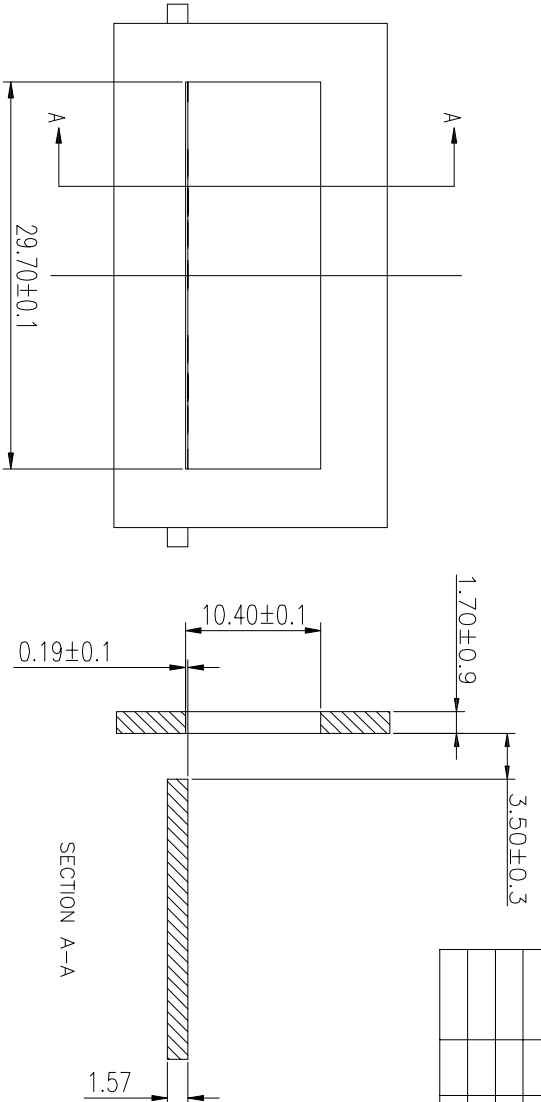


2

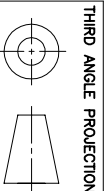
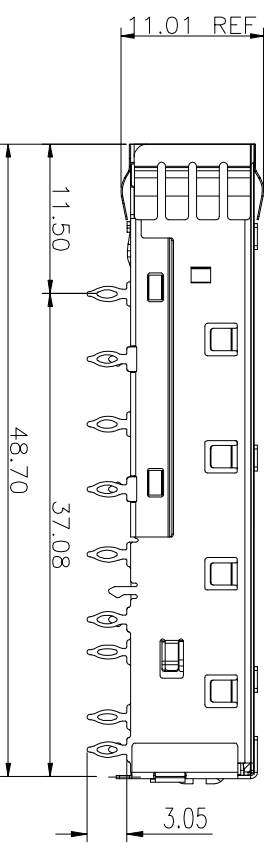


- NOTES:
1. MATERIAL: COPPER ALLOY, THICKNESS 0.25mm
  2. PACKAGING: TRAY PACKAGING
  3. TEMPERATURE RANGE: OPERATION: -40°C TO +85°C STORAGE: -55°C TO +105°C

1



RECOMMENDED BEZEL DESIGN



DO NOT SCALE DRAWING  
DRAWING IS SUBJECT TO CHANGE WITHOUT NOTICE  
DIMENSIONS: mm(INCH)

.XX±0.15  
.XX±0.20 .XXX±0.10

SHEET NO. 1 OF 3

**CND-TEK**  
深圳磁联达电子有限公司  
Shen zhen cnd-tek Electronics Co., Ltd  
Web: <http://www.cd-tek.com>

TITLE  
SFP + 1X2 CAGE

PART NO. A102N3E200200N

Product: PCB JACK RJ45 RJ11 USB  
CONNECTOR SFP CONNECTOR TRANSFORMER

DRN BY: TONY  
DATE: 12-10-08

APPD BY: JIM  
DATE: 9-23-09

DWG NO: SFP10025  
REV: A10

DATE	REV	ECN	APP'D.

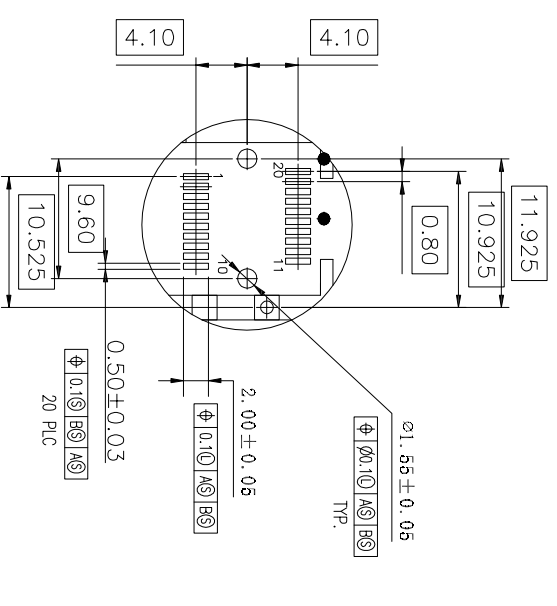
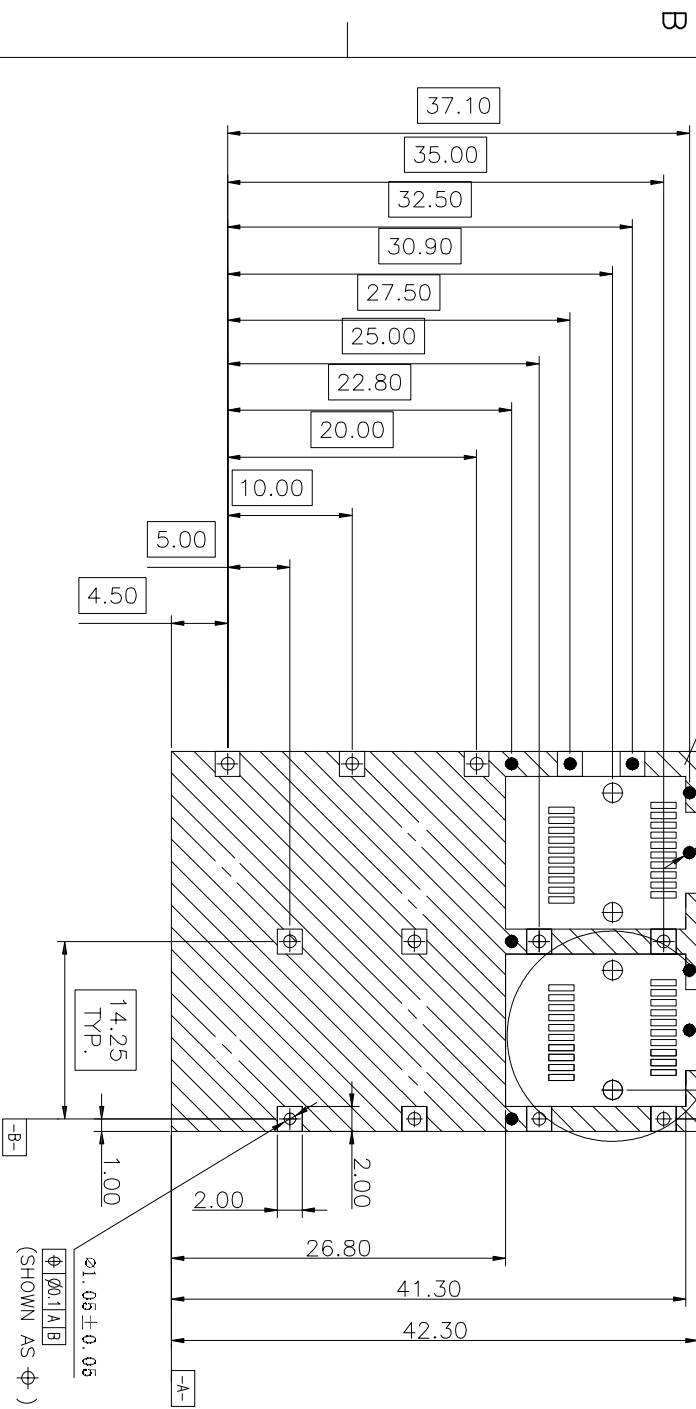
2

1

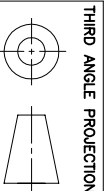
A

B

DATE	REV	ECN	APP'D.



PCB LAYOUT  
FOR SINGLE SIDE MOUNTING



THIRD ANGLE PROJECTION  
DO NOT SCALE DRAWING  
DRAWING IS SUBJECT TO CHANGE WITHOUT NOTICE  
DIMENSIONS: mm(INCH)  
XX±0.15 XXX±0.10  
SHEET NO. 2 OF 3

**CND-TEK**  
深圳磁联达电子有限公司  
Shen zhen cnd-tek Electronics Co., Ltd  
Web: <http://www.cd-tek.com>

TITLE  
SFP + 1X2 CAGE

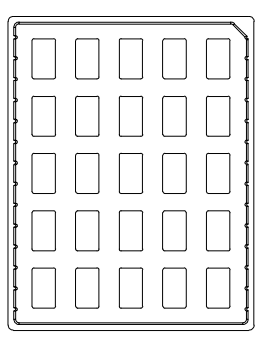
PART NO. A102N3200200N

Product: PCB JACK RJ45 RJ11 USB  
CONNECTOR SFP CONNECTOR TRANSFORMER

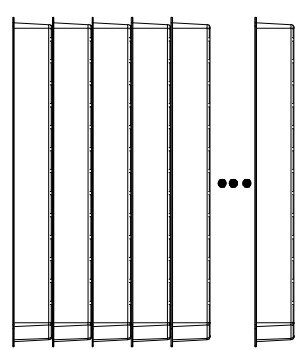
DRN BY: TONY DATE: 12-10-08  
APPD BY: JIM DATE: 9-23-09  
DWG NO: SFP10025 REV: A10



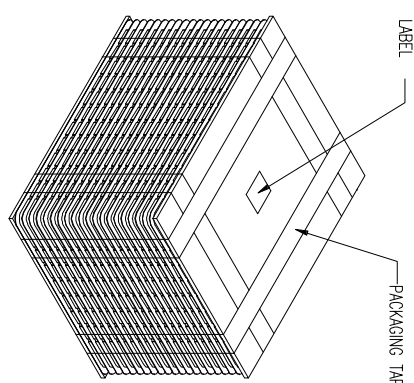
PACKAGE INFORMATION AND LABEL



1. PRODUCTS IN TRAYS



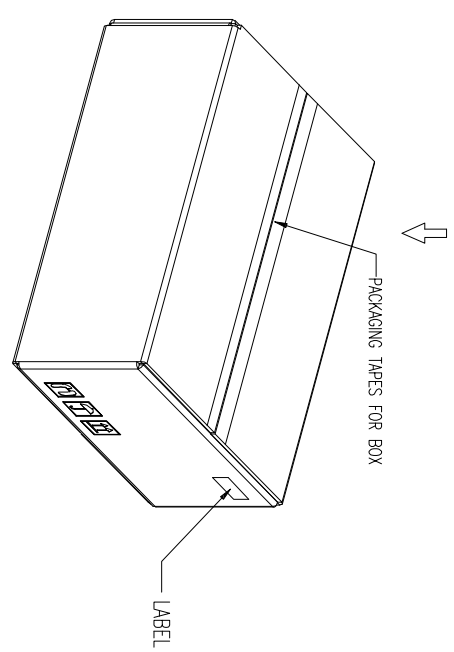
2. TRAYS OVERLAY:  
(THE NEXT TRAY NEED ROTATE 180 DEGREE AND PUT IT ON PREVIOUS TRAY)  
(相邻两个托盘间水平方向必须180度旋转)



3. LABEL & PACKAGING TAPES FOR TRAYS:

DATE	REV	ECN	APP'D.

PACKAGING LISTS	
ITEM	QTY
PRODUCT	200 PCS
TRAY	8 PCS
BOX(L340*W265*H200MM)	1 PCS
LABEL	2 PCS
PACKAGING TAPES	8 M (ABOUT)



4. LABEL & PACKAGING TAPES TOP BOX

THIRD ANGLE PROJECTION

DO NOT SCALE DRAWING  
DRAWING IS SUBJECT TO CHANGE WITHOUT NOTICE  
DIMENSIONS: mm(INCH)

.x±0.20	.xxx±0.10
.xx±0.15	

SHEET NO. 3 OF 3

---

**CND-TEK**  
深圳磁联达电子有限公司  
Shen zhen cnd-tek Electronics Co., Ltd  
Web: <http://www.cd-tek.com>

TITLE		SFP+ 1X2 CAGE	
PART NO.	A102N320020N	DRN BY:	TONY
Product: PCB JACK RJ45 RJ11 USB CONNECTOR SFP CONNECTOR TRANSFORMER		DATE:	12-10-08
APPD BY:	JIM	DATE:	9-23-09
DWG NO:	SFP10025	REV:	A10

