

## General Description

The LTA8061, LTA8062 and LTA8064 (LTA806x) are a family of micro-power, 48 V wide supply voltage, rail-to-rail output, precision operational amplifiers capable of operating on supplies ranging from +4.5 V to +48 V. This new generation of high-voltage CMOS operational amplifiers, in conjunction with the LTA809x, LTA808x and LTA807x, provide a family of bandwidth, noise, and power options to meet the needs of a wide variety of applications. The LTA806x devices offer outstanding dc precision and ac performance, including low offset ( $\pm 75 \mu\text{V}$  typically), low offset drift ( $\pm 1.5 \mu\text{V}/^\circ\text{C}$  typically), 1.1 MHz bandwidth, and  $22 \text{ nV}/\sqrt{\text{Hz}}$  input voltage noise density at 1 kHz. Unique features such as differential input-voltage range to the negative supply rail, high output current ( $\pm 45 \text{ mA}$ ), high capacitive load drive of up to 1 nF, and high slew rate ( $0.8 \text{ V}/\mu\text{s}$ ) make the LTA806x high-performance operational amplifiers for high-voltage industrial applications.

The robust design of the LTA806x family provides ease-of-use to the circuit designer: integrated RF/EMI rejection filter, no phase reversal in overdrive conditions, and high electro-static discharge (ESD) protection. The LTA806x are optimized for operation at voltages from +4.5 V ( $\pm 2.25 \text{ V}$ ) to +48 V ( $\pm 24 \text{ V}$ ) over the extended temperature range of  $-40^\circ\text{C}$  to  $+125^\circ\text{C}$ .

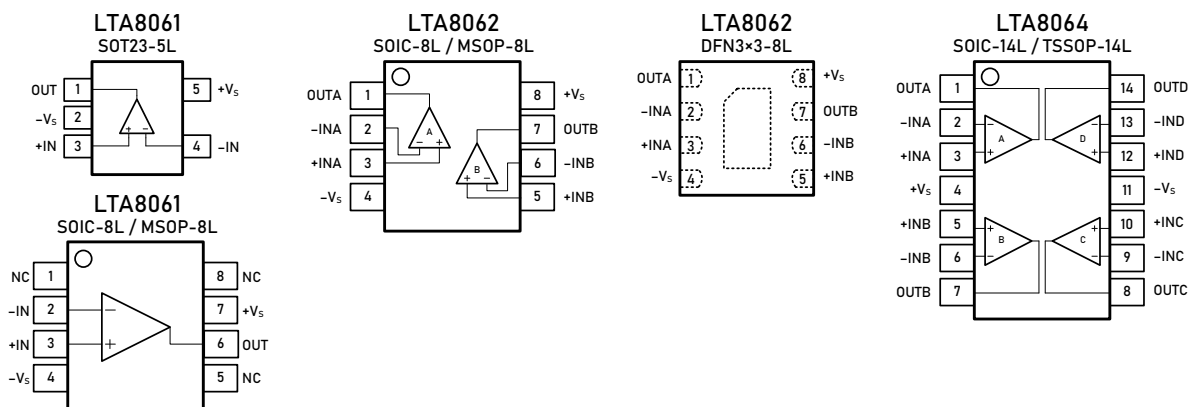
## Features and Benefits

- Wide Supply:  $\pm 2.25 \text{ V}$  to  $\pm 24 \text{ V}$ , 4.5 V to 48 V
- Low Offset Voltage:  $\pm 75 \mu\text{V}$  Typically
- Low Offset Voltage Drift:  $\pm 1.5 \mu\text{V}/^\circ\text{C}$
- High Common-Mode Rejection: 115 dB
- Gain Bandwidth: 1.1 MHz
- Slew Rate:  $0.8 \text{ V}/\mu\text{s}$
- Low Noise:  $22 \text{ nV}/\sqrt{\text{Hz}}$  at 1 kHz
- Low Quiescent Current: 140  $\mu\text{A}$  per amplifier
- Low Bias Current:  $\pm 10 \text{ pA}$
- Rail-to-Rail Output

## Applications

- Tracking Amplifier in Power Modules
- Power Delivery: UPS, Server, and Merchant Network Power
- High-Side and Low-Side Current Sensing
- Transducer Amplifiers
- Battery-Powered Instruments
- Test and Measurement Equipment
- Multiplexed Data-Acquisition Systems
- Programmable Logic Controllers

## Pin Configuration (Top View)



## Pin Description

Symbol	Description
-IN	Inverting input of the amplifier. The voltage range is from $V_{S-}$ to $V_{S+} - 1.5V$ .
+IN	Non-inverting input of the amplifier. This pin has the same voltage range as -IN.
+V <sub>S</sub>	Positive power supply. The voltage is from 4.5V to 48V. Split supplies are possible as long as the voltage between $V_{S+}$ and $V_{S-}$ is from 4.5V to 48V.
-V <sub>S</sub>	Negative power supply. It is normally tied to ground. It can also be tied to a voltage other than ground as long as the voltage between $V_{S+}$ and $V_{S-}$ is from 4.5V to 48V.
OUT	Amplifier output.
NC	No connection

## Ordering Information <sup>(1)</sup>

Type Number	Package Name	Package Quantity	Eco Class <sup>(2)</sup>	Marking Code <sup>(3)</sup>
LTA8061XT5/R6	SOT23-5L	Tape and Reel, 3 000	Green (RoHS & no Sb/Br)	H61
LTA8061XS8/R8	SOIC-8L	Tape and Reel, 4 000	Green (RoHS & no Sb/Br)	HV-61
LTA8061XV8/R6	MSOP-8L	Tape and Reel, 3 000	Green (RoHS & no Sb/Br)	HV61
LTA8062XS8/R8	SOIC-8L	Tape and Reel, 4 000	Green (RoHS & no Sb/Br)	HV-62
LTA8062XV8/R6	MSOP-8L	Tape and Reel, 3 000	Green (RoHS & no Sb/Br)	HV62
LTA8062XF8/R6	DFN3x3-8L	Tape and Reel, 3 000	Green (RoHS & no Sb/Br)	HV62
LTA8064XS14/R5	SOIC-14L	Tape and Reel, 2 500	Green (RoHS & no Sb/Br)	HV-64
LTA8064XT14/R6	TSSOP-14L	Tape and Reel, 3 000	Green (RoHS & no Sb/Br)	HV-64

(1) Please contact to your Linearin representative for the latest availability information and product content details.

(2) Eco Class - The planned eco-friendly classification: Pb-Free (RoHS) or Green (RoHS & Halogen Free).

(3) There may be multiple device markings, a varied marking character of "x", or additional marking, which relates to the logo, the lot trace code information, or the environmental category on the device.

## Limiting Value - In accordance with the Absolute Maximum Rating System (IEC 60134).

Parameter	Absolute Maximum Rating
Supply Voltage, $V_{S+}$ to $V_{S-}$	60 V
Signal Input Terminals: Voltage, Current	$-V_S - 0.3 V$ to $+V_S + 0.3 V$ , $\pm 10$ mA
Output Short-Circuit	Continuous
Storage Temperature Range, $T_{stg}$	$-65$ to $+150$ °C
Junction Temperature, $T_J$	150 °C
Lead Temperature Range (Soldering 10 sec)	260 °C

## ESD Rating

Parameter	Item	Value	Unit
Electrostatic Discharge Voltage	Human body model (HBM), per MIL-STD-883J / Method 3015.9 <sup>(1)</sup>	2 000	V
	Charged device model (CDM), per ESDA/JEDEC JS-002-2014 <sup>(2)</sup>	2 000	

(1) JEDEC document JEP155 states that 500-V HBM allows safe manufacturing with a standard ESD control process. Manufacturing with less than 500-V HBM is possible if necessary precautions are taken.

(2) JEDEC document JEP157 states that 250-V CDM allows safe manufacturing with a standard ESD control process. Manufacturing with less than 250-V CDM is possible if necessary precautions are taken.

## Electrical Characteristics

$V_S = 4.5\text{ V to }48\text{ V}$ ,  $T_A = +25\text{ }^\circ\text{C}$ ,  $V_{CM} = V_{OUT} = V_S/2$ , and  $R_L = 10\text{ k}\Omega$  connected to  $V_S/2$ , unless otherwise noted. Boldface limits apply over the specified temperature range,  $T_A = -40\text{ }^\circ\text{C to }+125\text{ }^\circ\text{C}$ .

Parameter	Symbol	Conditions	Min.	Typ.	Max.	Unit
<b>OFFSET VOLTAGE</b>						
Input offset voltage	$V_{OS}$			$\pm 75$	$\pm 350$	$\mu\text{V}$
Offset voltage drift	$V_{OS\text{ TC}}$	$T_A = -40\text{ to }+125\text{ }^\circ\text{C}$		$\pm 1.5$		$\mu\text{V}/^\circ\text{C}$
Power supply rejection ratio	PSRR	$V_S = 4.5\text{ to }48\text{ V}$ , $V_{CM} = 0.1\text{ V}$		3.5		$\mu\text{V}/\text{V}$
		$T_A = -40\text{ to }+125\text{ }^\circ\text{C}$		10		
<b>INPUT BIAS CURRENT</b>						
Input bias current	$I_B$			10		$\text{pA}$
		$T_A = -40\text{ to }+85\text{ }^\circ\text{C}$		150		
		$T_A = -40\text{ to }+125\text{ }^\circ\text{C}$		600		
Input offset current	$I_{OS}$			5		$\text{pA}$
<b>NOISE</b>						
Input voltage noise	$V_n$	$f = 0.1\text{ to }10\text{ Hz}$		5		$\mu\text{V}_{P-P}$
Input voltage noise density	$e_n$	$f = 1\text{ kHz}$		22		$\text{nV}/\sqrt{\text{Hz}}$
Input current noise density	$I_n$	$f = 1\text{ kHz}$		5		$\text{fA}/\sqrt{\text{Hz}}$
<b>INPUT VOLTAGE</b>						
Common-mode voltage range	$V_{CM}$		$-V_S$		$+V_S - 1.5$	V
Common-mode rejection ratio	CMRR	$V_S = 40\text{ V}$ , $V_{CM} = 0\text{ to }38.5\text{ V}$		115		dB
		$V_{CM} = 0.1\text{ to }38\text{ V}$ , $T_A = -40\text{ to }+125\text{ }^\circ\text{C}$		102		
		$V_S = 5.0\text{ V}$ , $V_{CM} = 0\text{ to }3.5\text{ V}$		96		
		$V_{CM} = 0.1\text{ to }3\text{ V}$ , $T_A = -40\text{ to }+125\text{ }^\circ\text{C}$		83		
<b>INPUT IMPEDANCE</b>						
Input capacitance	$C_{IN}$	Differential		2.0		$\text{pF}$
		Common mode		3.5		
<b>OPEN-LOOP GAIN</b>						
Open-loop voltage gain	$A_{VOL}$	$V_S = 40\text{ V}$ , $V_O = 0.1\text{ to }39.9\text{ V}$		130		dB
		$T_A = -40\text{ to }+125\text{ }^\circ\text{C}$		120		
		$V_S = 5\text{ V}$ , $V_O = 0.1\text{ to }4.9\text{ V}$		122		
		$T_A = -40\text{ to }+125\text{ }^\circ\text{C}$		112		
<b>FREQUENCY RESPONSE</b>						
Gain bandwidth product	GBW			1.1		MHz
Slew rate	SR	$V_S = 40\text{ V}$ , $G = +1$ , $10\text{ V step}$		0.8		$\text{V}/\mu\text{s}$
Total harmonic distortion + noise	THD+N	$G = +1$ , $f = 1\text{ kHz}$ , $V_O = 3\text{ V}_{RMS}$		0.0005		%
Settling time	$t_S$	To 0.1%, $V_S = 40\text{ V}$ , $G = +1$ , $5\text{ V step}$		15		$\mu\text{s}$
		To 0.01%, $V_S = 40\text{ V}$ , $G = +1$ , $5\text{ V step}$		22		
Overload recovery time	$t_{OR}$	$V_{IN} \times \text{Gain} > V_S$		2		$\mu\text{s}$

CAUTION: These devices are sensitive to electrostatic discharge; follow proper IC Handling Procedures.  
 Linearin and designs are registered trademarks of Linearin Technology Corporation.  
 © Copyright Linearin Technology Corporation. All Rights Reserved.  
 All other trademarks mentioned are the property of their respective owners.

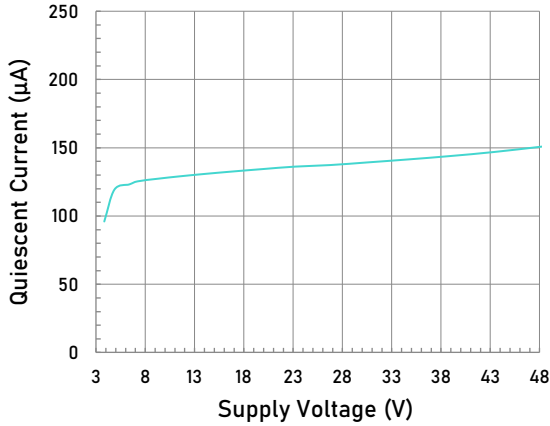
## Electrical Characteristics (continued)

$V_S = 4\text{ V to }48\text{ V}$ ,  $T_A = +25\text{ }^\circ\text{C}$ ,  $V_{CM} = V_{OUT} = V_S/2$ , and  $R_L = 10\text{ k}\Omega$  connected to  $V_S/2$ , unless otherwise noted. Boldface limits apply over the specified temperature range,  $T_A = -40\text{ }^\circ\text{C to }+125\text{ }^\circ\text{C}$ .

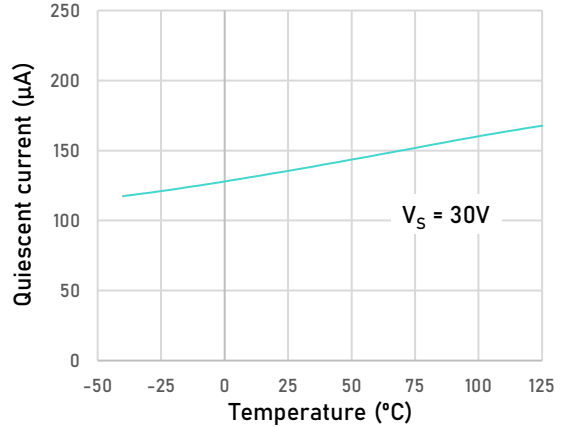
Parameter	Symbol	Conditions	Min.	Typ.	Max.	Unit
<i>OUTPUT</i>						
High output voltage swing	$V_{OH}$	$V_S = \pm 20\text{ V}$ , $R_L = 10\text{ k}\Omega$		$+V_S - 100$		mV
		$V_S = \pm 20\text{ V}$ , $R_L = 2\text{ k}\Omega$		$+V_S - 270$		
Low output voltage swing	$V_{OL}$	$V_S = \pm 20\text{ V}$ , $R_L = 10\text{ k}\Omega$		$-V_S + 60$		mV
		$V_S = \pm 20\text{ V}$ , $R_L = 2\text{ k}\Omega$		$-V_S + 250$		
Short-circuit current	$I_{SC}$			$\pm 45$		mA
<i>POWER SUPPLY</i>						
Operating supply voltage	$V_S$	$T_A = -40\text{ to }+125\text{ }^\circ\text{C}$	4.5		48	V
Quiescent current (per amplifier)	$I_Q$	$V_S = 5\text{ V}$		122		$\mu\text{A}$
		$V_S = 40\text{ V}$		140		
<i>THERMAL CHARACTERISTICS</i>						
Operating temperature range	$T_A$		-40		+125	$^\circ\text{C}$
Package Thermal Resistance	$\theta_{JA}$	SOT23-5L		190		$^\circ\text{C/W}$
		MSOP-8L		201		
		SOIC-8L		125		
		TSSOP-14L		112		
		SOIC-14L		115		

### Typical Performance Characteristics

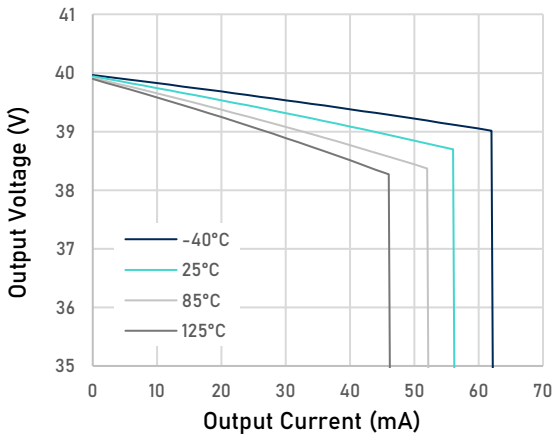
At  $T_A = +25^\circ\text{C}$ ,  $V_{CM} = V_S/2$ , and  $R_L = 10\text{ k}\Omega$  connected to  $V_S/2$ , unless otherwise noted.



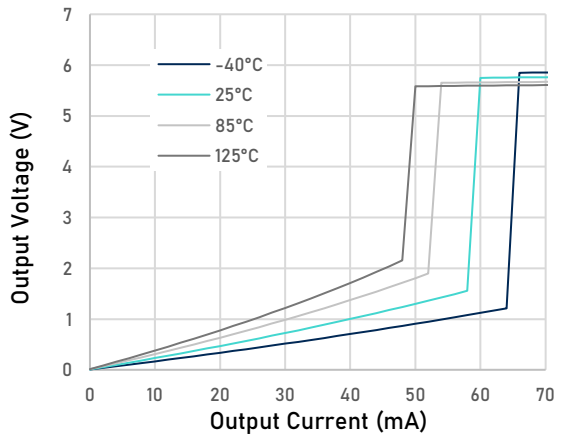
Quiescent Current as a function of Supply Voltage



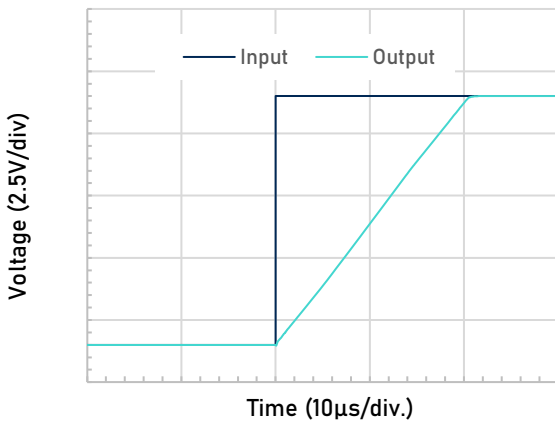
Quiescent Current as a function of Temperature



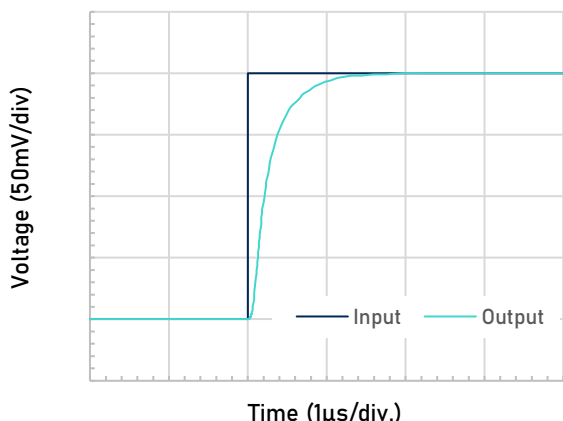
Output Voltage Swing as a function of Output Current (Sourcing,  $V_S = 40\text{ V}$ )



Output Voltage Swing as a function of Output Current (Sinking,  $V_S = 40\text{ V}$ )



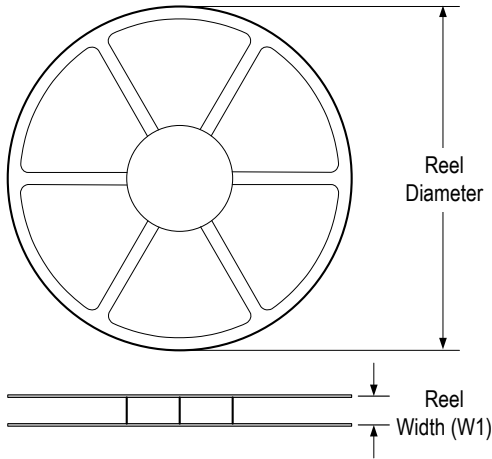
Large-Signal Step Response(Failing)



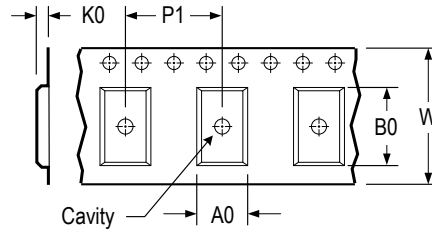
Small-Signal Step Response

### Tape and Reel Information

#### REEL DIMENSIONS

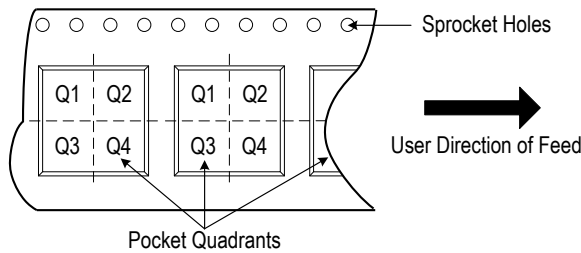


#### TAPE DIMENSIONS



A0	Dimension designed to accommodate the component width
B0	Dimension designed to accommodate the component length
K0	Dimension designed to accommodate the component thickness
W	Overall width of the carrier tape
P1	Pitch between successive cavity centers

#### QUADRANT ASSIGNMENTS FOR PIN 1 ORIENTATION IN TAPE

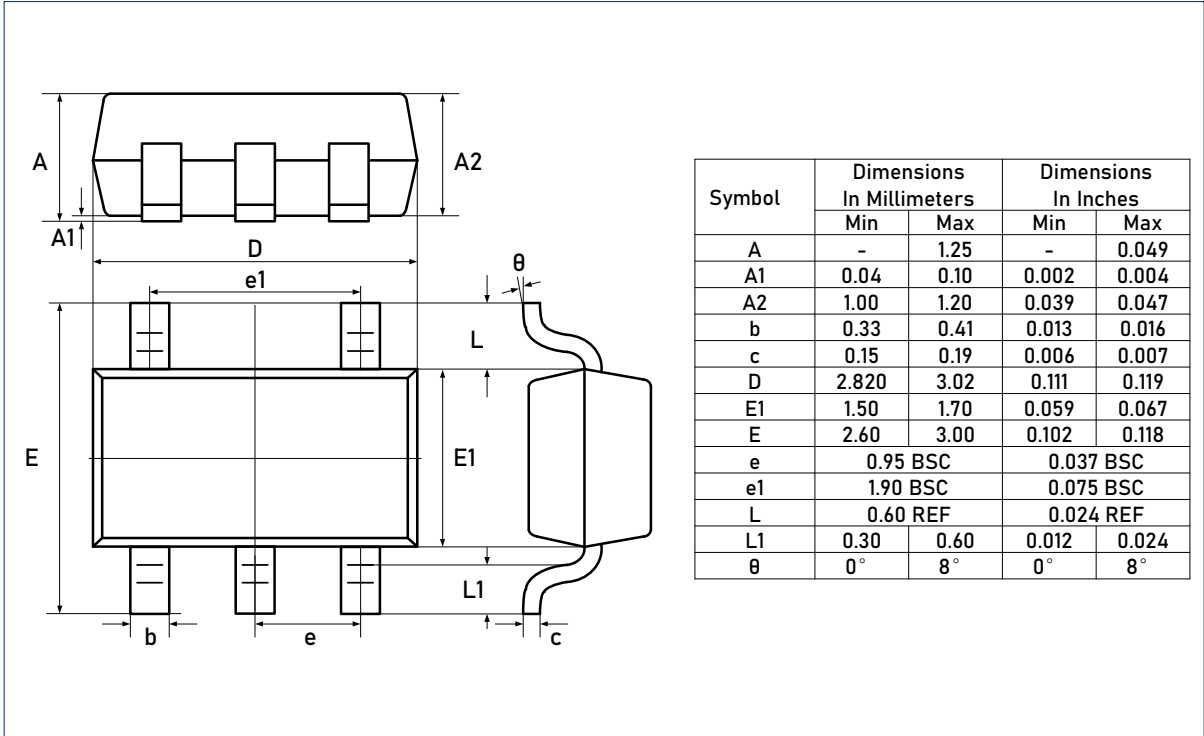


\* All dimensions are nominal

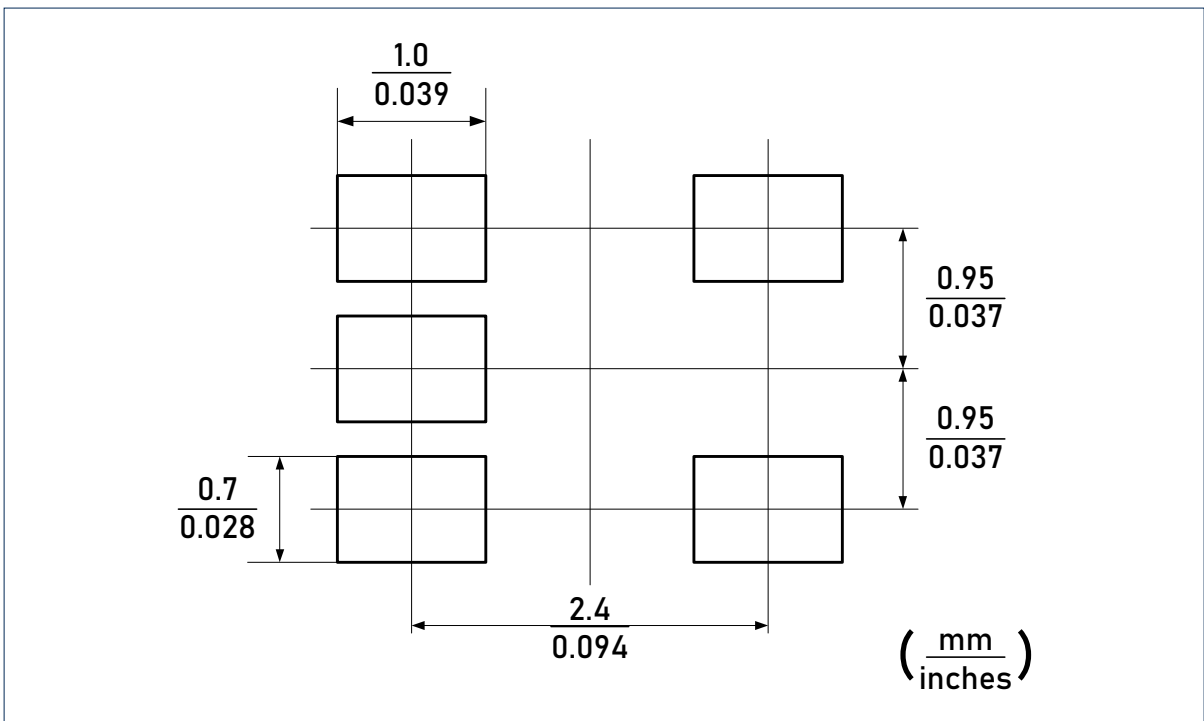
Device	Package Type	Pins	SPQ	Reel Diameter (mm)	Reel Width W1 (mm)	A0 (mm)	B0 (mm)	K0 (mm)	P1 (mm)	W (mm)	Pin 1 Quadrant
LTA8061XT5/R6	SOT23	5	3 000	178	9.0	3.3	3.2	1.5	4.0	8.0	Q3

Package Outlines

DIMENSIONS, SOT23-5L



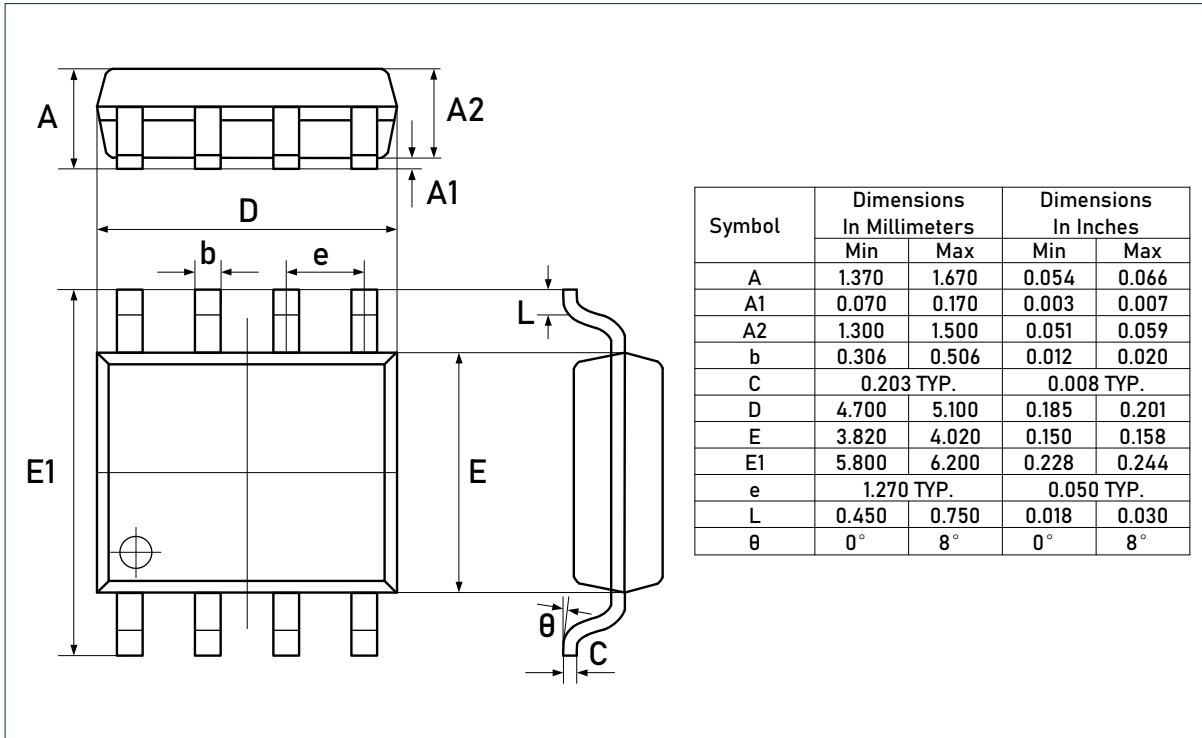
RECOMMENDED SOLDERING FOOTPRINT, SOT23-5L



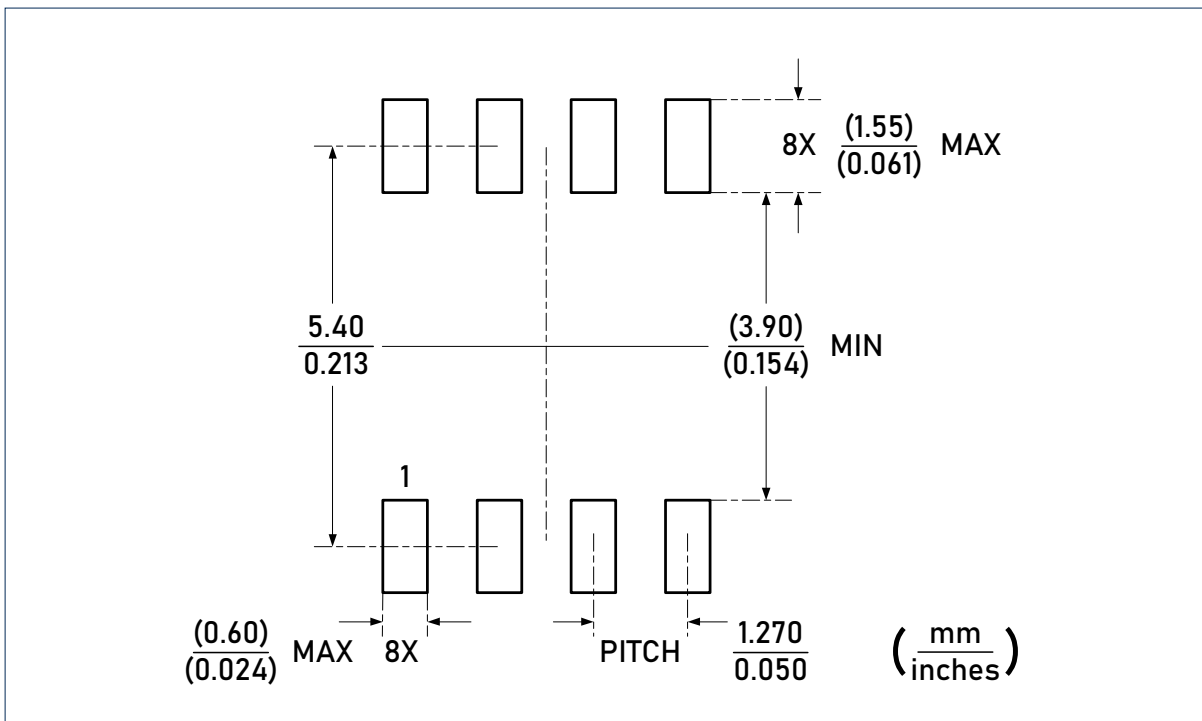
CAUTION: These devices are sensitive to electrostatic discharge; follow proper IC Handling Procedures.  
 Linearin and designs are registered trademarks of Linearin Technology Corporation.  
 © Copyright Linearin Technology Corporation. All Rights Reserved.  
 All other trademarks mentioned are the property of their respective owners.

Package Outlines (continued)

DIMENSIONS, SOIC-8L



RECOMMENDED SOLDERING FOOTPRINT, SOIC-8L

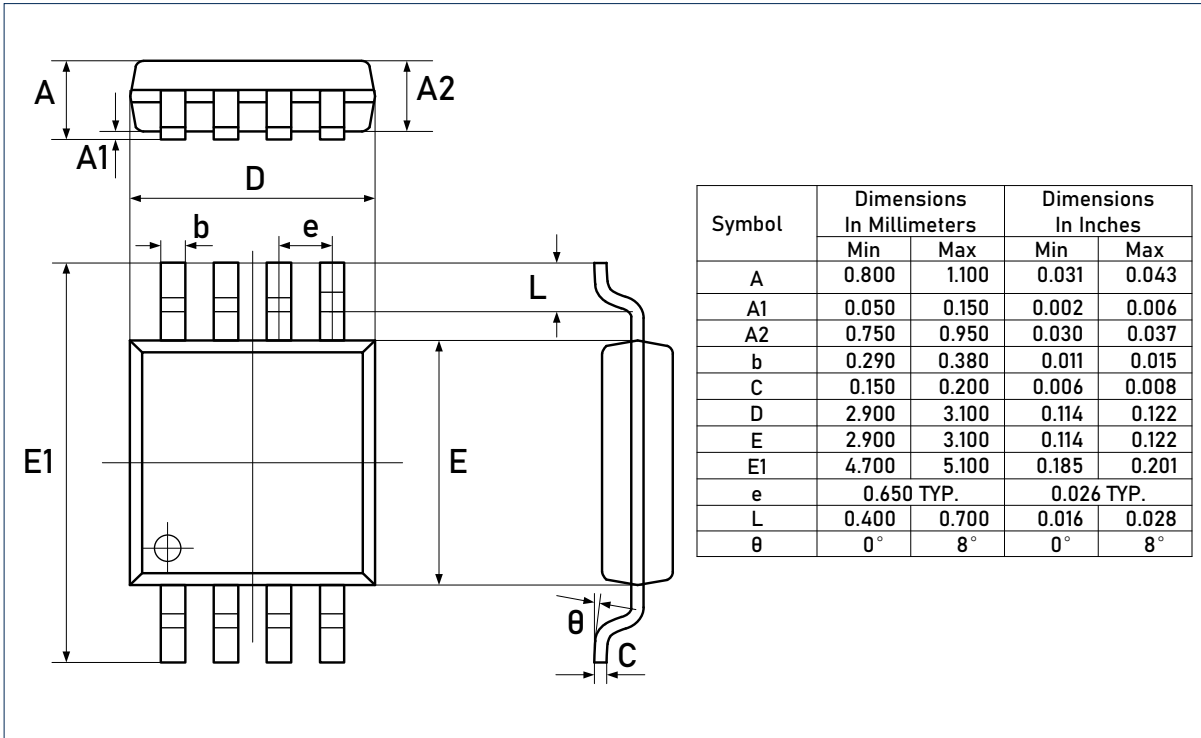


CAUTION: These devices are sensitive to electrostatic discharge; follow proper IC Handling Procedures.  
 Linearin and designs are registered trademarks of Linearin Technology Corporation.  
 © Copyright Linearin Technology Corporation. All Rights Reserved.  
 All other trademarks mentioned are the property of their respective owners.

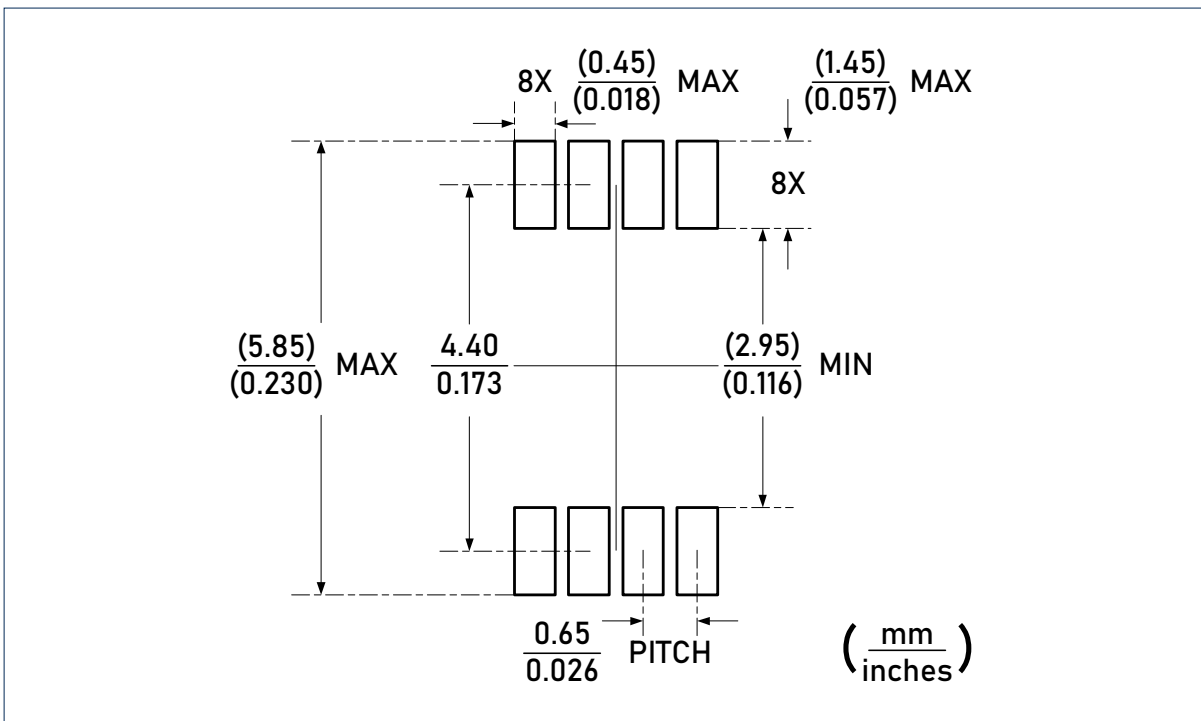


Package Outlines (continued)

DIMENSIONS, MSOP-8L



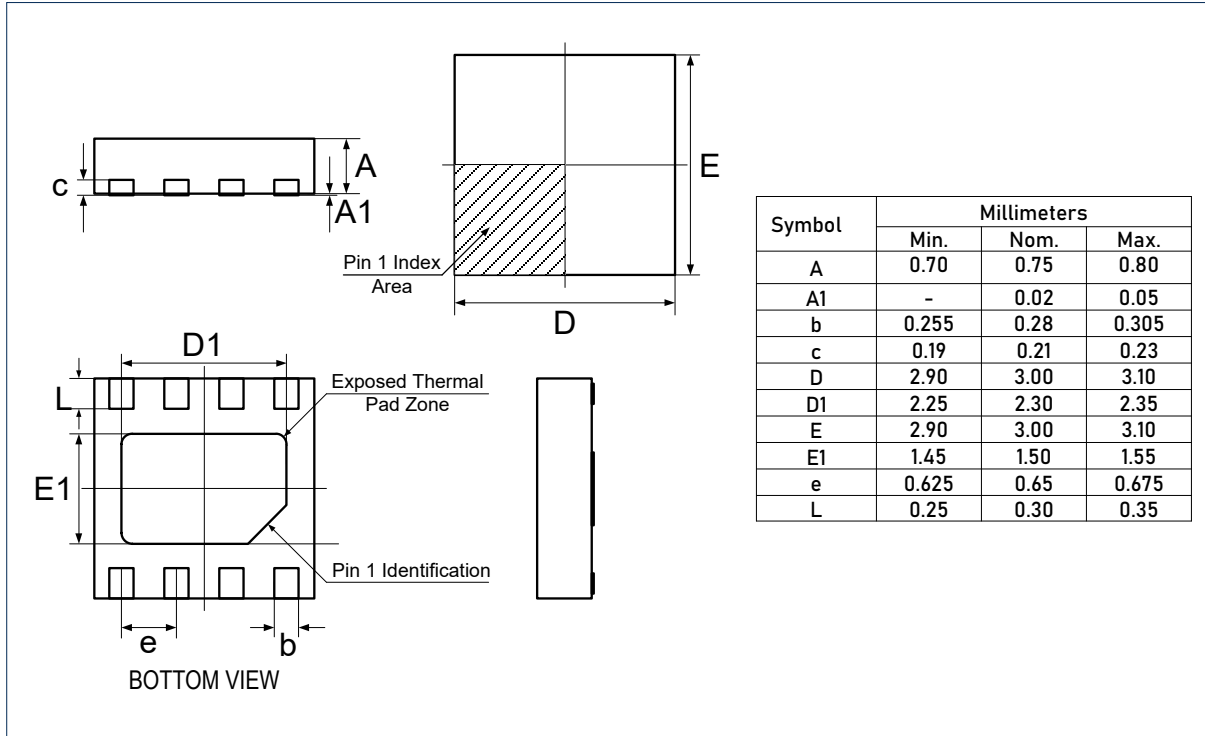
RECOMMENDED SOLDERING FOOTPRINT, MSOP-8L



CAUTION: These devices are sensitive to electrostatic discharge; follow proper IC Handling Procedures.  
 Linearin and designs are registered trademarks of Linearin Technology Corporation.  
 © Copyright Linearin Technology Corporation. All Rights Reserved.  
 All other trademarks mentioned are the property of their respective owners.

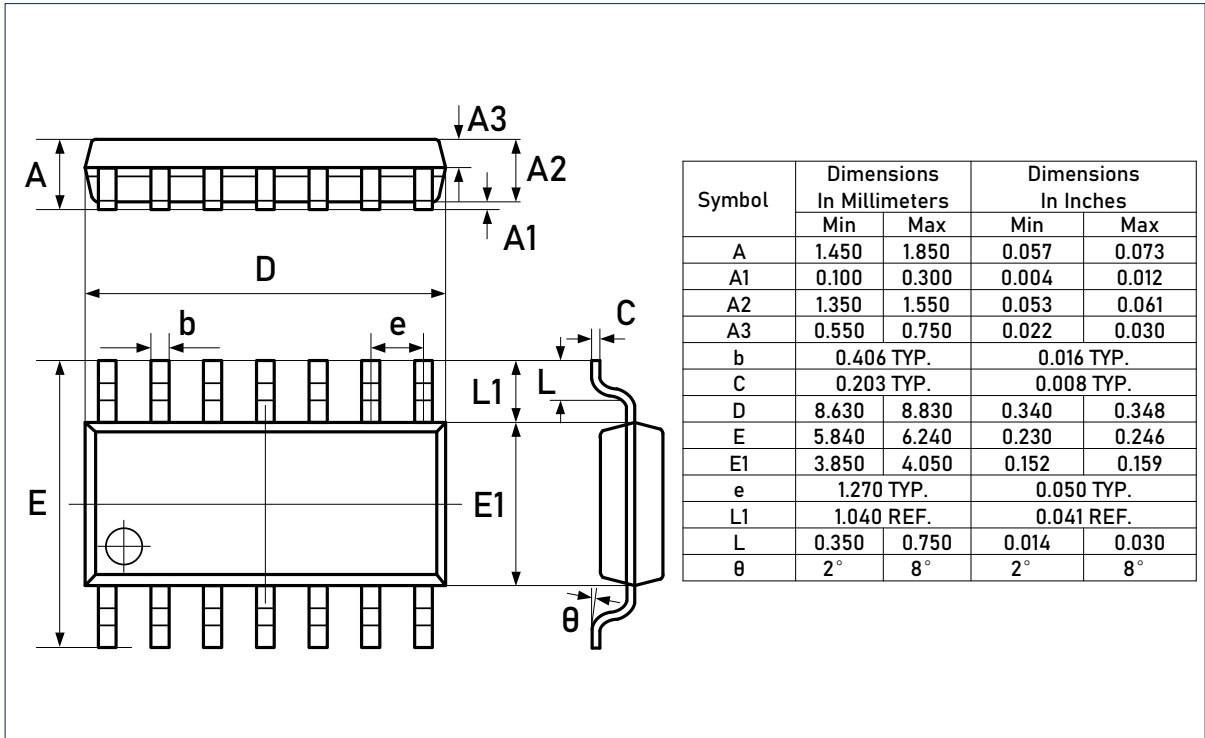
## Package Outlines (continued)

## DIMENSIONS, DFN3x3-8L

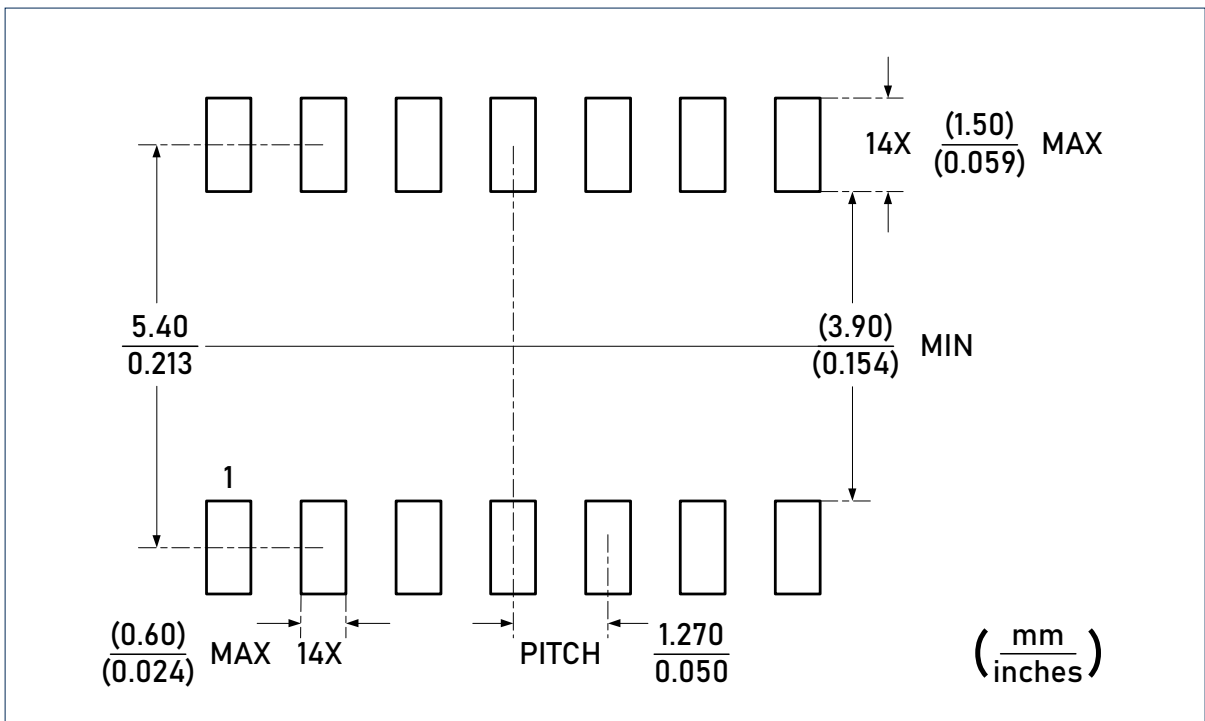


Package Outlines (continued)

DIMENSIONS, SOIC-14L



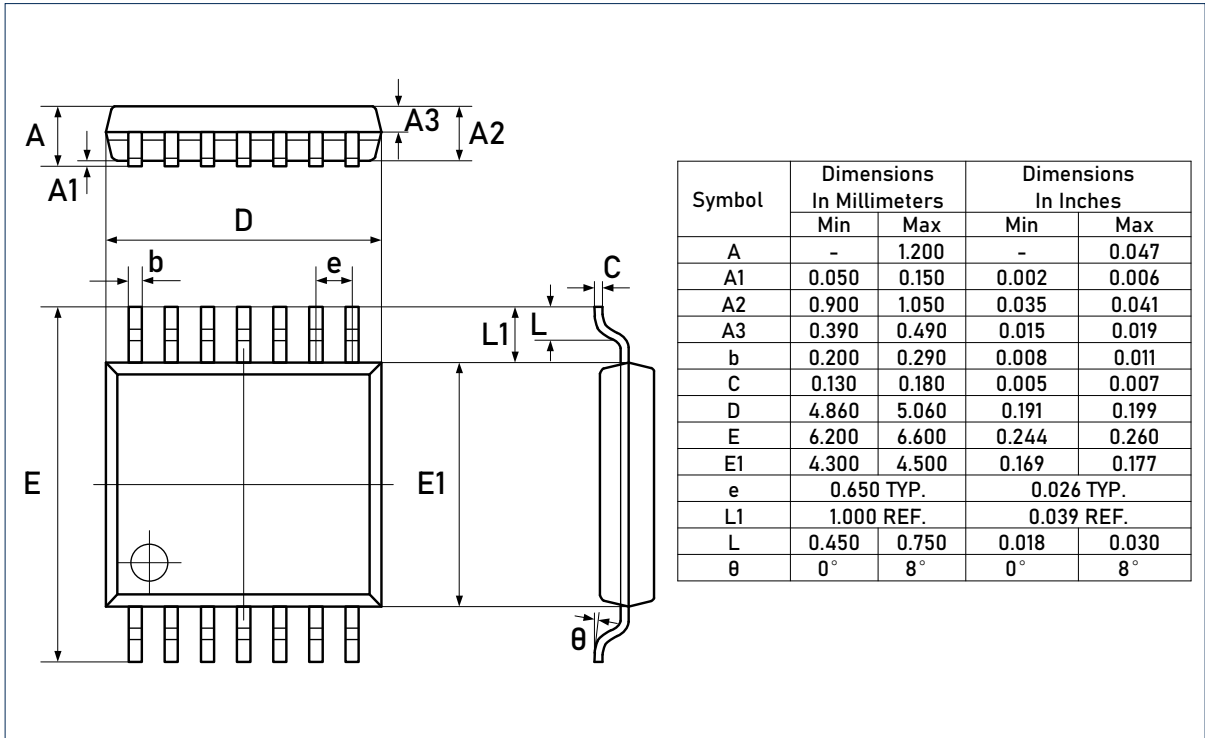
RECOMMENDED SOLDERING FOOTPRINT, SOIC-14L



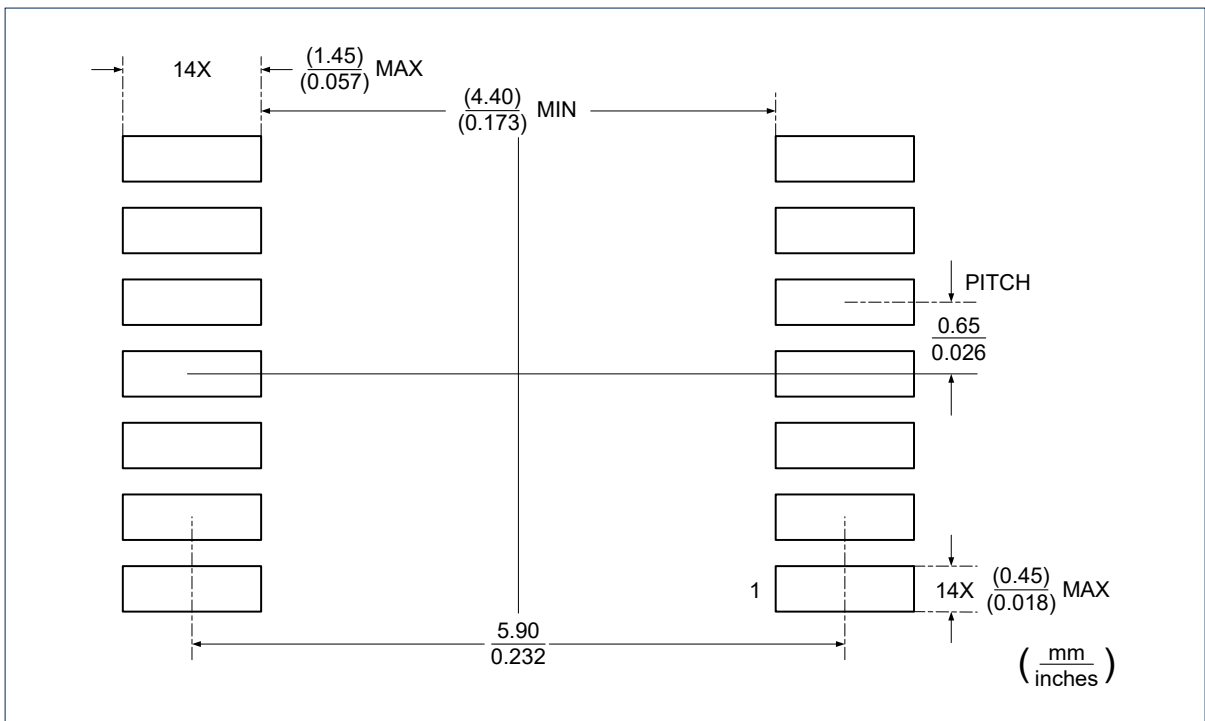
CAUTION: These devices are sensitive to electrostatic discharge; follow proper IC Handling Procedures.  
 Linearin and designs are registered trademarks of Linearin Technology Corporation.  
 © Copyright Linearin Technology Corporation. All Rights Reserved.  
 All other trademarks mentioned are the property of their respective owners.

Package Outlines (continued)

DIMENSIONS, TSSOP-14L



RECOMMENDED SOLDERING FOOTPRINT, SOIC-14L



CAUTION: These devices are sensitive to electrostatic discharge; follow proper IC Handling Procedures.  
Linearin and designs are registered trademarks of Linearin Technology Corporation.  
© Copyright Linearin Technology Corporation. All Rights Reserved.  
All other trademarks mentioned are the property of their respective owners.

## Important Notice

---

Linearin is a global fabless semiconductor company specializing in advanced high-performance high-quality analog/mixed-signal IC products and sensor solutions. The company is devoted to the innovation of high performance, analog-intensive sensor front-end products and modular sensor solutions, applied in multi-market of medical & wearable devices, smart home, sensing of IoT, intelligent industrial & smart factory (industrie 4.0), and automotives. Linearin's product families include widely-used standard catalog products, solution-based application specific standard products (ASSPs) and sensor modules that help customers achieve faster time-to-market products. Go to <http://www.linearin.com> for a complete list of Linearin product families.

For additional product information, or full datasheet, please contact with the Linearin's Sales Department or Representatives.