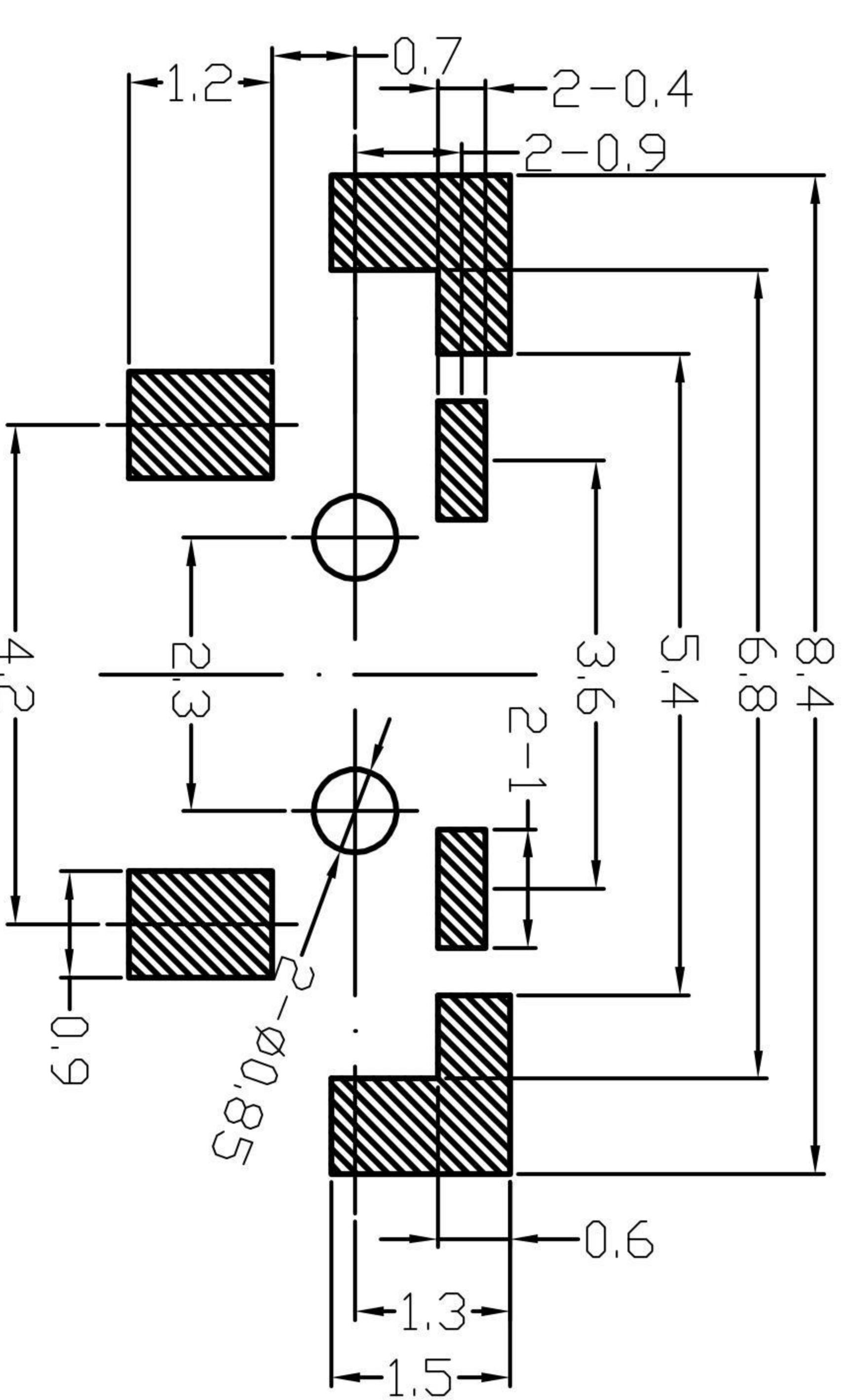
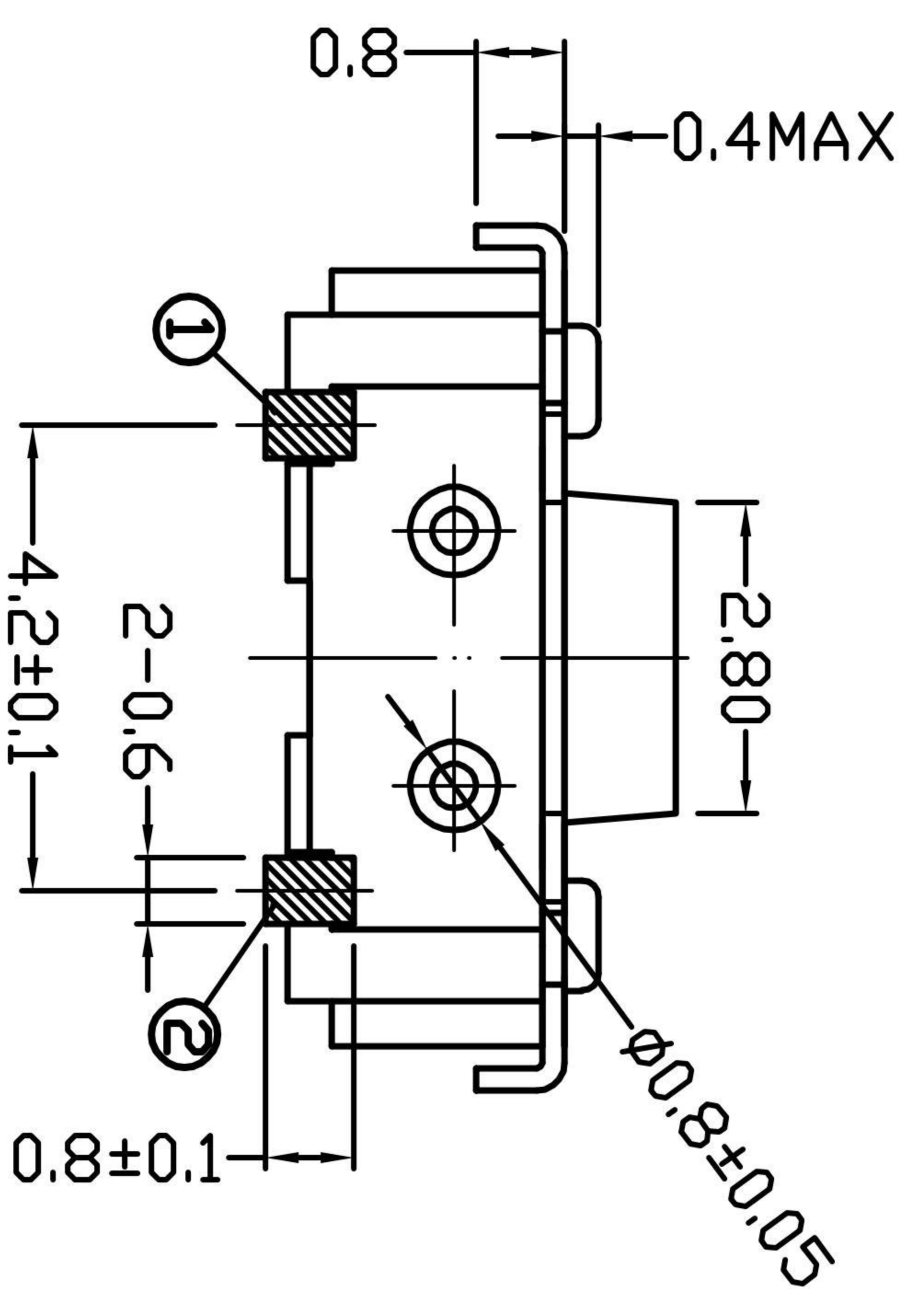


## GT-TD054X-HXXX-LX

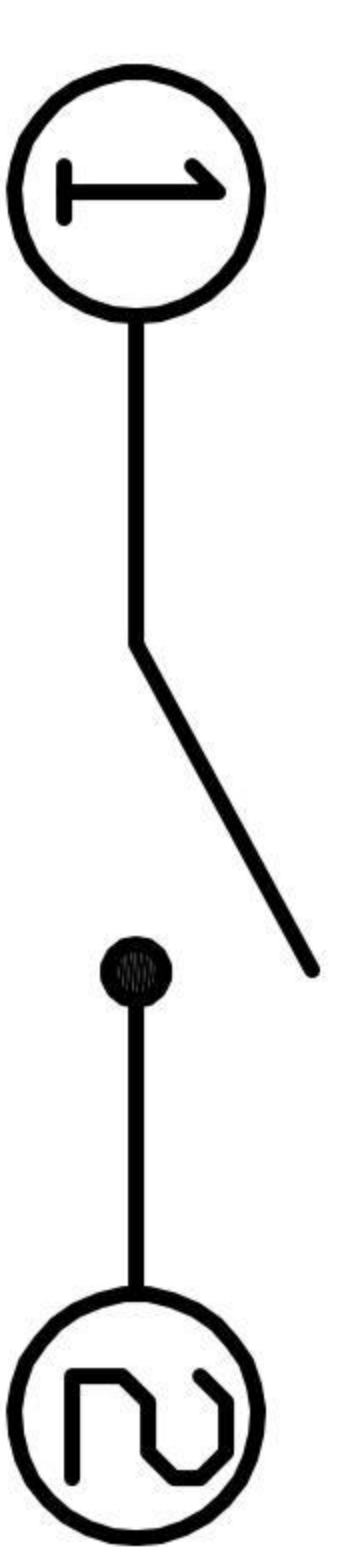
**Operating Force**  
 A=180gf  
 B=250gf  
 C=130gf

**Switch Height**  
 H035=3.5mm

**Switch lifetime (Force)**  
 L1=100,000 Cycles

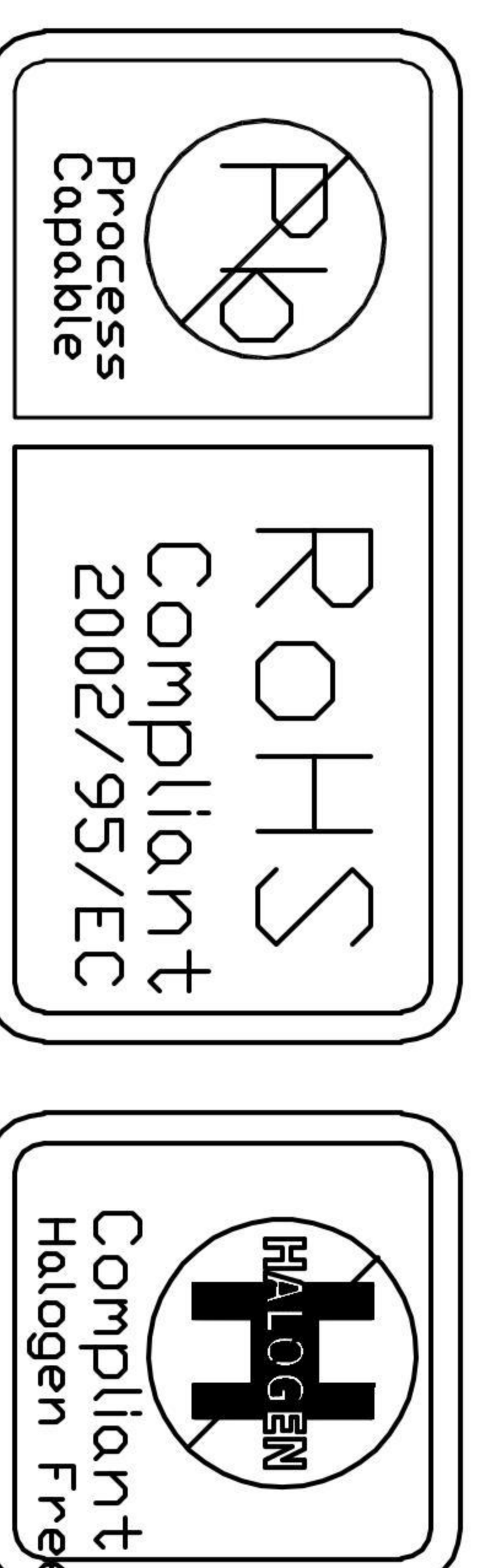


### P.C.B LAND DIMENSION



### CIRCUIT DIAGRAM

- G-Switch Specification:**
1. Operating temperature range: -40°C to +85°C
  2. Rating: 50mA, 12V DC
  3. Insulation resistance: 100MΩ min, 100V DC
  4. Dielectric strength: 250V AC for 1 min
  5. Contact resistance: 100mΩ max.
  6. Travel: 0.25±0.1mm



SCALE: 1:1	UNIT: mm	Title: Horizontal Tact Switch 7.0x3.5x3.5mm	
SIZE: A4		Mold Code: GT-TD054X-H035-LX	
Unless otherwise General Tolerance:		DRAWN	CHECKED
X	±0.30	Xia	Chen
X.X	±0.20		
X.XX	±0.15		
X.XXX	±0.10		
X.XXXX	±3°		
Angles			



REV: A0 SHEET: 1/1