

REV.	MATER	APP.	DATE
A			

NOTE:
 1. MATERIAL:
 a. HOUSING: THERMOPLASTIC GLASS FIBRE UL94V-0
 b. CONTACT: PHOSPHOR BRONZE (SURFACE PLATING: NI 100")
 SEE ORDERING INFORMATION
 2. ELECTRIC:
 a. CONTACT RESISTANCE: 30 MILLIOHMS MAX
 b. INSULATION RESISTANCE: 1000 MEGA OHMS MIN
 c. DIELECTRIC VOLTAGE: 500V AC ONE SEC LEVEL
 d. OPERATING TEMPERATURE: -40°C ~ +80°C

ORDERING INFORMATION

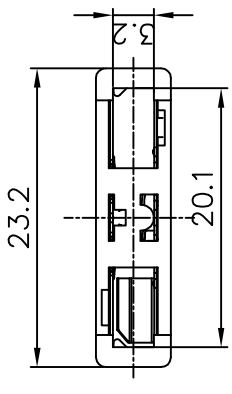
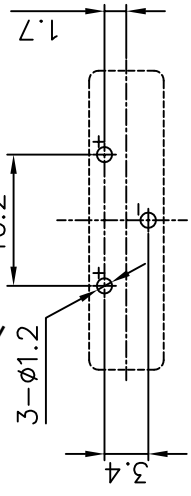
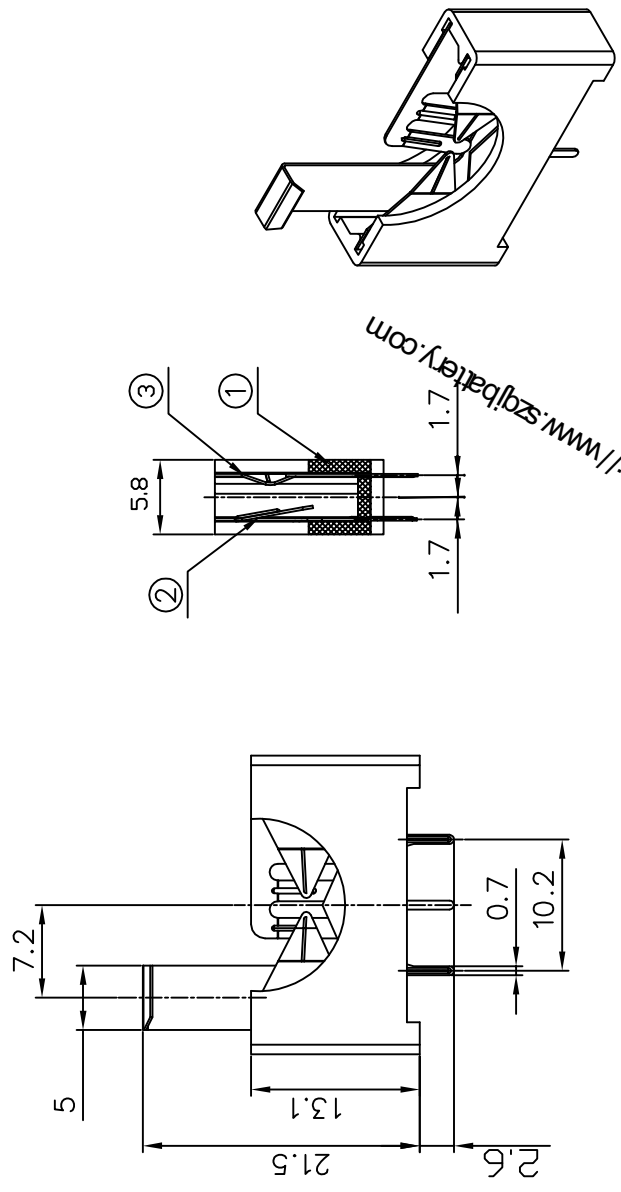
QJ-BS-05-A**0*002

品牌: 电池座系列
 BS-5系列
 DIP 90° TYPE

PLATING:
 A-Au1U"
 J-NI100U"~120U"
 K-SNI100U"~120U"

CRUSTL:
 0-WHITOUT

MATERIAL:
 1A-PBT WHITE
 1B-PBT BLACK
 2A-PA66 WHITE
 2B-PA66 BLACK
 3A-PA6T BROWN
 3B-PA66 BLACK



Tolerance: Unless otherwise specified

TOLERANCE			
LINEAR	±1	±0.38	±5'
ANGLE	.x	.xx	.xxx
	.x'	.xx'	.xxx'
	.xx"	.xxx"	
	.xx' ±1		
	.xxx ±1		
3	TERMINAL-2	PHOSPHOR BRONZE	Ni-plated
2	TERMINAL-1	PHOSPHOR BRONZE	Ni-plated
1	HOUSING	PBT	BLACK
NO.	PART NAME	MATERIAL	COLOR/FINISHED

日期 DATE	单位 UNITS	审核 CHECK	PART NO. QJ-BS-05-A1B0J002
2012. 07. 20	mm	QJ.LIU	
比例 SCALE	制图 DRAW	设计 DESGN	TITLE: 立式电池座CR2032-BS-5-2
1/1	LIUJIAN	LIUJIAN	

深圳市琦捷电子有限公司
 Shenzhen Qijie Electronic.,LTD