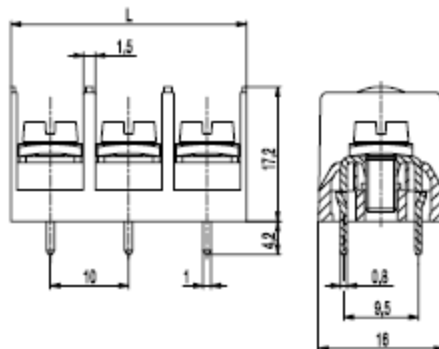
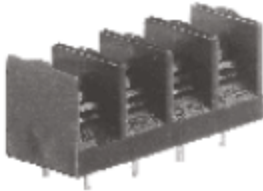


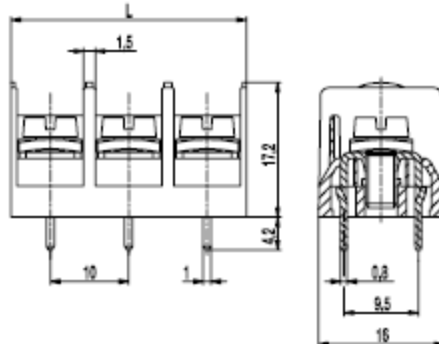
PCB connector

983-D/-ZD

Screw connection, 2 solder pins per pole



983-D



983-ZD

The PCB connector 983-D with a pitch of 10 mm features in spite of its small dimensions, large clearance and creepage distances.

This version is equipped with two solder pins per pole and is available in 2- to 26-pole design.

The conductor terminal is of head contact design, whereby the screws and square washers are movably connected.

For easier connection, the non-rotably mounted square washers are automatically lifted when the screw is loosened.

The connector can be mounted side-by-side in the nominal pitch.

Variant "-ZD" features an additional back wall.

Part Numbers

No. of poles	983-D	983-ZD	Length	Pcs
2	20.873.802	20.873.872	20,00	100
3	20.873.803	20.873.873	30,00	100
4	20.873.804	20.873.874	40,00	100
5	20.873.805	20.873.875	50,00	100
6	20.873.806	20.873.876	60,00	100
8	20.873.808	20.873.878	80,00	50
10	20.873.810	20.873.880	100,00	50
12	20.873.812	20.873.882	120,00	50
14	20.873.814	20.873.884	140,00	80
16	20.873.816	20.873.886	160,00	20
18	20.873.818	20.873.888	180,00	25
20	20.873.820	20.873.890	200,00	25
22	20.873.822	20.873.892	220,00	25
24	20.873.824	20.873.894	240,00	25
26	20.873.826	20.873.896	260,00	10

further number of poles on request

General Information

Pitch	10 mm
No. of poles	2 - 26

Technical Data

Clamping Range	solid / flexible / AWG		
	0,75 - 2,5 mm ² / 0,75 - 2,5 mm ² / 18 - 12 AWG		
Rated Cross Section	2,5 mm ²		
Wire Stripping Length	8,5 mm ± 0,5 mm		
Overvoltage Category	III	III	II
Pollution Severity Level	3	2	2
Rated Voltage	500 V	630 V	1000 V
Rated Impulse Voltage	6 kV	6 kV	6 kV
Rated Insulation Voltage	750 V acc. to EN 60998-1		
Rated Current	24 A		
Hole in PCB	ø 1,6 mm		
Torque	1,2 Nm		
Other specifications	Per pole two wires of identical cross-section can be connected.		

Material

Moulding	PA, grey, V-0
Comparative Tracking Index	CTI ≥ 600
Insulating Group	I
Temperature Range	-40°C up to 100°C
Pressure clamp	Tin plated brass
Screw	M4; zinc plated steel, blue passivated
Solder pin	0,8 x 1,0 mm; tin plated brass

Approvals

	Current	Voltage	Group	AWG	Nm
	20	300	B	20 - 12	1,13
	20	300	B	20 - 12	1,13
	10	300	D, E	20 - 12	1,13

Options / Accessories

- Consecutive numbering
- Special marking according to drawing
- Self-adhesive marking strip BST-10,00
- Cover cap 983-A
- Securing pins BEF-983
- Crosshead screws
- 10 mm pin length