

REV.	MATTER	APP.	DATE
A			

NOTE:
 1.MATERIAL:
 a.HOUSING: THERMOPLASTIC GLASS FIBRE UL94V-0
 b.CONTACT: BRASS
 2.ELECTRIC:
 a.CONTACT RESISTANCE: 30 MILLIOHMS MAX
 b.INSULATION RESISTANCE: 1000 MEGA OHMS MIN
 c.DIELECTRIC VOLTAGE: 750V AC ONE SEC LEVEL
 d.OPERATING TEMPERATURE: -55~+85~C

ORDERING INFORMATION

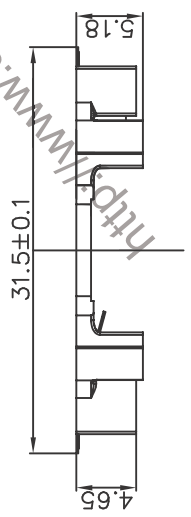
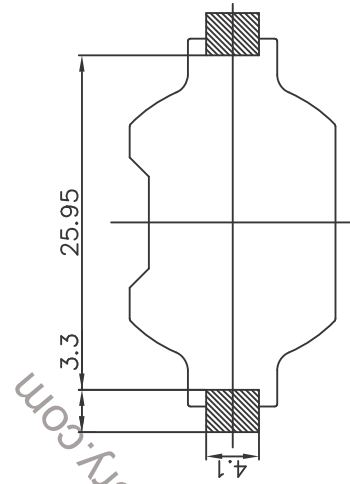
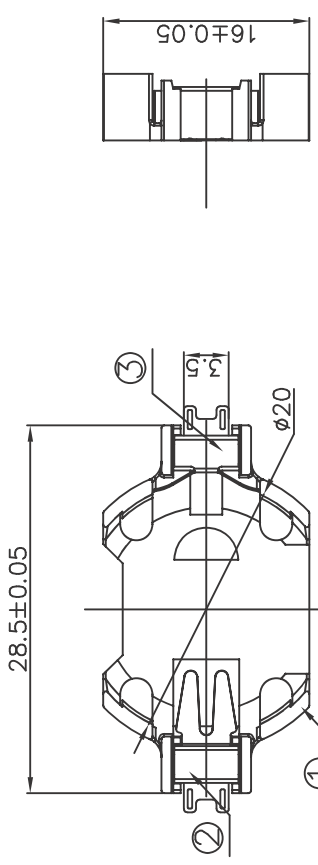
QJ-BS-06-A0*006**

品牌: 电池座系列
 BS-6系列
 SMT 180° TYPE

MATERIAL:
 1A-PBT WHITE
 1B-PBT BLACK
 2A-PA66 WHITE
 2B-PA66 BLACK
 3A-LCP WHITE
 3B-LCP BLACK

PLATING:
 J-Ni100U~120U"
 K-Ni150U"
 A-Au 1u"
 1A-Au 3u"
 B-Sn 100U~120U"
 1B-Sn 150U"

CRUST:
 O-WITHOUT



PCB Layout Diagram
 TOP VIEW

TOLERANCE		Tolerance: Unless otherwise specified			
LINEAR	ANGLE	3	TERMINAL-2	Phosphorous bronze	Au-Plated
x. ±1	x' ±5'	2	TERMINAL-1	Phosphorous bronze	Au-Plated
.x ±0.38	.x' ±2'	1	HOUSING	LCP	WHITE
.xx ±0.25	.xx' ±1'	NO.	PART NAME	MATERIAL	COLOR/FINISHED
.xxx ±0.10	.xxx' ±1'	日期 DATE	单位 UNITS	审核 CHECK	BATTERY HDLDR
		2012.08.20	mm	QJ.LIUQI	PART NO.
		比例 SCALE	制图 DRAW	设计 DESIGN	QJ-BS-06-A3B0A006
		1/1	QJ.WU	QJ.LIU	TITLE:
SHENZHE QIJIE ELECTRNICS CO.,LTD 深圳市琦捷电子有限公司 电池座 (BS-6-2SMT金F)					