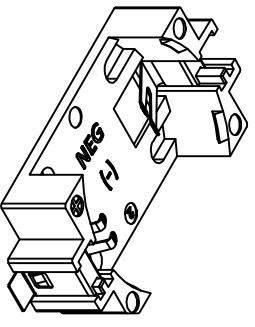
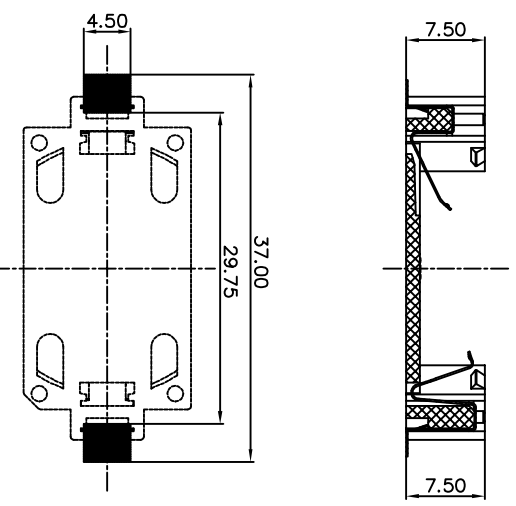
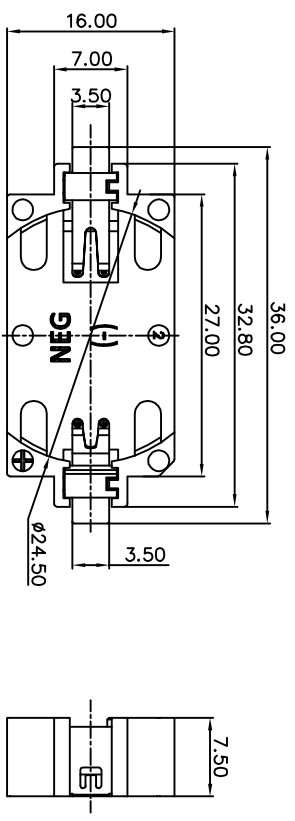


ECN NO.	REV	DATE	DESCRIPTION	CHANGE	CHECK	APPRO



PCB Layout Diagram  
Bottom View

NO.	PART NAME	Q'TY	MATERIAL	PLATING & COLOR
3	TERMINAL (-)	1	C5191, T=0.15mm	Gold Plating and Ni Under-Plating
2	TERMINAL (+)	1	C5191, T=0.15mm	Gold Plating and Ni Under-Plating
1	HOUSE	1	LCP UL94 V-0	WHITE

NOTE:  
1.MATERIAL:  
a.HOUSING:LCP UL94V-0  
b.CONTACT:PHOSPHOR BRONZE  
(SURFACE PLATING:A\*u")  
SEE ORDERING INFORMATION  
2.ELECTRIC:  
a.CONTACT RESISTANCE: 30 MILLIOHMS MAX  
b.INSULATION RESISTANCE: 1000 MEGA OHMS  
MIN  
c.DIELECTRIC VOLTAGE: 500V AC ONE SEC LEVEL  
d.OPERATING TEMPERATURE: -40°C ~ +80°C

### ORDERING INFORMATION

**Q1-BS-24-B\*\*\*001**

品牌: 电池座系列  
BS-24系列

SMT 180° TYPE

PLATING:  
A-Au1U'  
J-Ni100U'~120U'  
K-SM100U'~120U'

MATERIAL:  
1A-PBT BLACK  
1B-P466 BLACK  
2A-PPA BROWN  
2B-PPA BLACK  
3A-PPS BROWN  
3B-PPS BLACK  
4A-LCP WHITE  
4B-LCP BLACK

UNLESS OTHERWISE SPECIFIED TOLERANCES

SHENZHEN QIJE ELECTRONICS CO.,LTD [www.szqjdz.cn](http://www.szqjdz.cn)  
0755-23112665

DECIMALS:	ANGLES:	DSND	QJLITU	DATE	2018/09/27	TITLE:	CR2450-SMT-AU
X.X	: ±0.30X	CHKD	QJAIRY	DATE	2018/09/27		
X.XX	: ±0.25X	APVD	QJHUANG	DATE	2018/09/27	PART NO.:	QJ-BS-24-B4AA001
X.XXX	: ±0.20	SCALE:	SIZE: A4	VIEW:			
X.XXX	: ±0.10	WEIGHT:	UNIT: mm	REV.: A/0	OBJECT: QJ	DRAW NO.:	QJ-CR2450-AU

NO.	PART NAME	Q'TY	MATERIAL	PLATING & COLOR	SHEET 1 OF 1	UNIT: mm	REV.: A/0	OBJECT: QJ	DRAW NO.:	QJ-CR2450-AU
-----	-----------	------	----------	-----------------	--------------	----------	-----------	------------	-----------	--------------