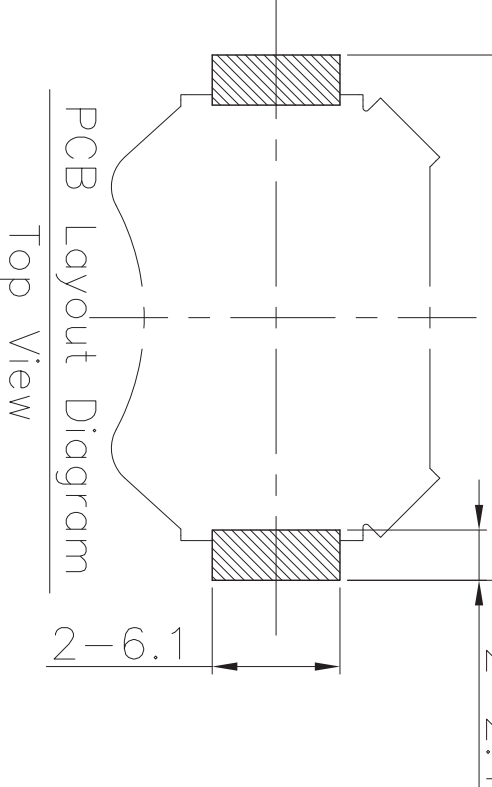
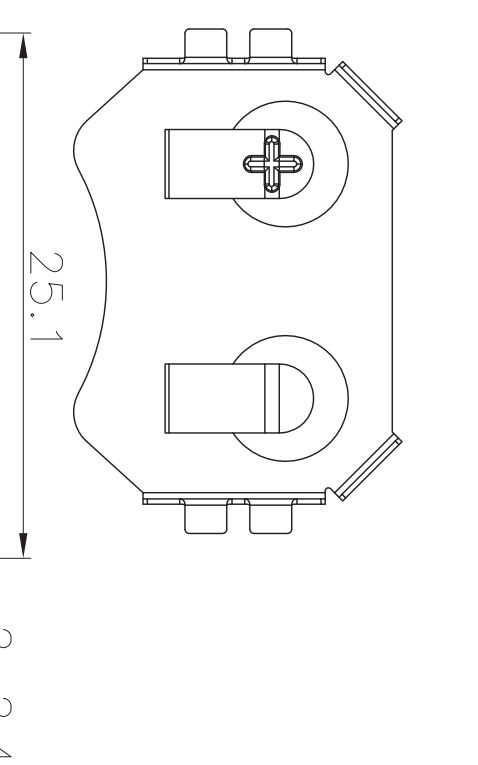
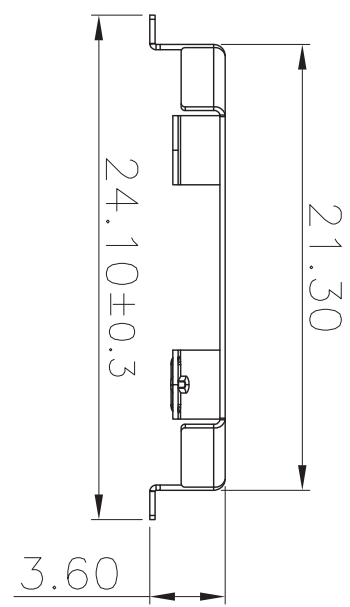
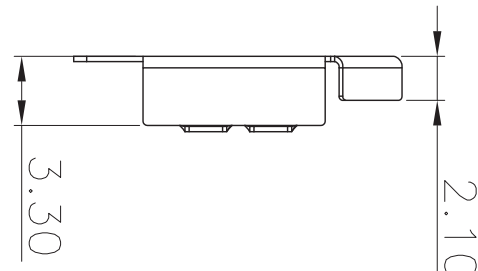
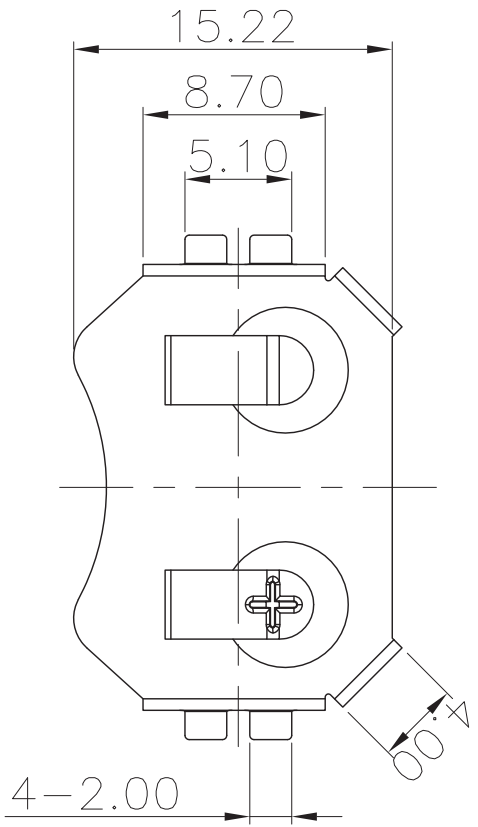


ROHS



ECN NO.	REV	DATE	DESCRIPTION	CHANGE	CHECK	APPRO

SHENZHE QIJE ELECTRONICS CO.,LTD

UNLESS OTHERWISE SPECIFIED TOLERANCES
 DECIMALS: ANGLES:
 X :±0.30 X :±1°
 X X :±0.25 X.X:±0.5°
 X.XX :±0.20
 X.XXX:±0.10

DSND	QJ.WU	DATE	2013.07.20	TITLE:	CR2032-P24.1
CHKD	QJ.LIUQI	DATE	2013.07.20		
APVD	QJ.LIU	DATE	2013.07.22	PART NO.:	

WEIGHT:0.53g
 SHEET 1 OF 1

SCALE:3:1	SIZE:A4	VIEW:		DRAW NO.:	QJ-TP-001
UNIT:mm	REV.:/0	OBJECT:			

①	TERMINAL(+)	1	PHOSPHOR BRONZE,T=0.25mm	NI Plating
NO.	PART NAME	Q'TY	MATERIAL	PLATING & COLOR