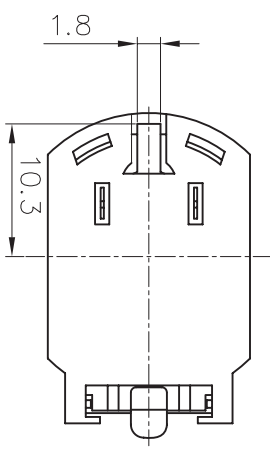
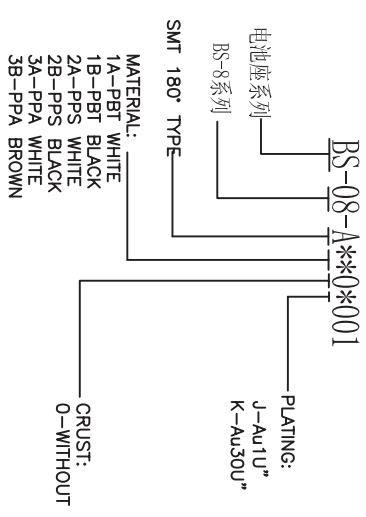


PCB Layout Diagram
Top View



ORDERING INFORMATION



- NOTE:
- MATERIAL:
 - HOUSING:THERMOPLASTIC GLASS FIBRE UL94V-0
 - CONTACT:PHOSPHOR BRONZE (SURFACE PLATING: Au*U")
 - ELECTRIC:
 - CONTACT RESISTANCE: 30 MILLIOHMS MAX
 - INSULATION RESISTANCE: 1000 MEGA OHMS MIN
 - DIELECTRIC VOLTAGE: 750V AC ONE SEC LEVEL
 - OPERATING TEMPERATURE: -55 °C ~ +85 °C
- SEE ORDERING INFORMATION

REV.	MATTER	APP.	DATE
A			

TOLERANCE		Tolerance: Unless otherwise specified	
LINEAR	ANGLE	3	TERMINAL-2
2	TERMINAL-1	PHOSPHOR BRONZE	Au-Plated
1	HOUSING	PPA	BROWN
NO.	PART NAME	MATERIAL	COLOR/FINISHED

x, .x, .xx, .xxx	±1, ±0.38, ±0.25, ±0.10	x', .x', .xx'	±5°, ±2°, ±1°
------------------	-------------------------	---------------	---------------

日期 DATE	单位 UNITS	审核 CHECK	日期 DATE	单位 UNITS	审核 CHECK
2008.07.20	mm	QJ.LIUQI	日期 DATE	单位 UNITS	审核 CHECK
比例 SCALE	制图 DRAW	设计 DESIGN	比例 SCALE	制图 DRAW	设计 DESIGN
1/1	QJ.WU	QJ.LIU	比例 SCALE	制图 DRAW	设计 DESIGN
BATTERY HDLDER			PART NO.		
BS-08-A3B0J001			BS-08-A3B0J001		
TITLE: 电池座 SMT (BS-8)					

SHENZHE QJIE ELECTRNICS CO.,LTD
深圳市琦捷电子有限公司

http://www.szqjbattery.com