

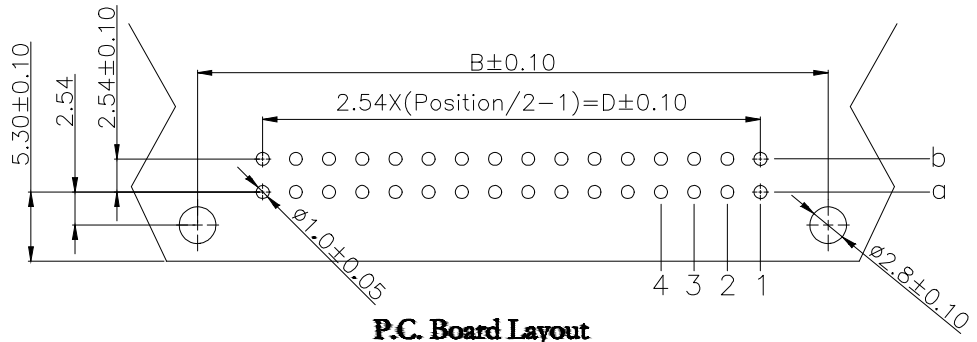
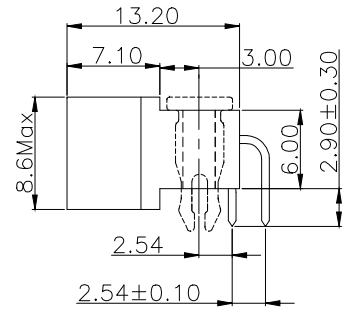
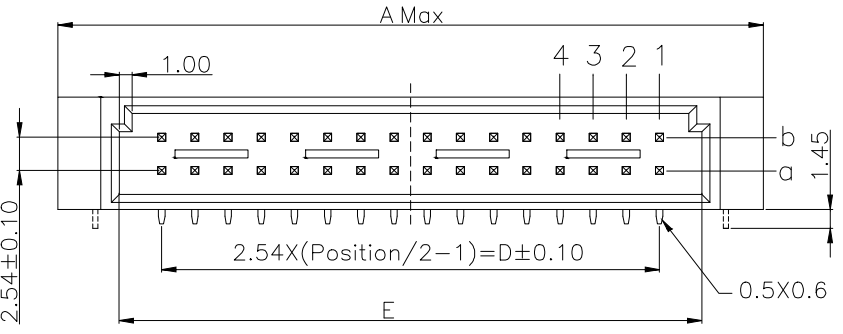
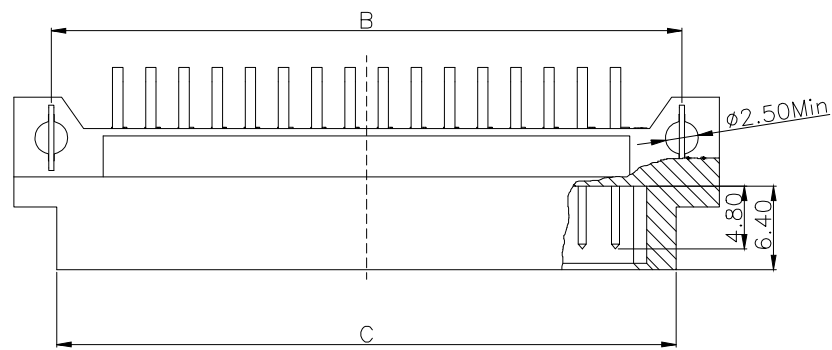
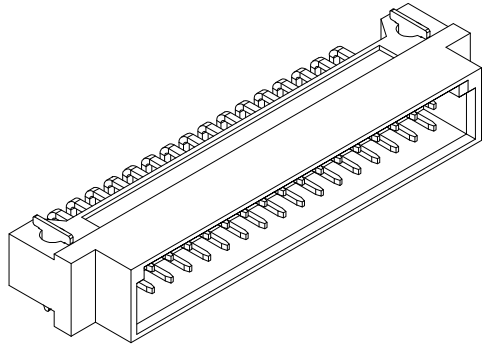
REV.	SPECIFICATION	ECN NO.	APPD.
R6		BCN220137	

**Material and Plating:**

Housing: PBT, UL94V-0, Beige.  
 Contacts: Brass.  
 Lock: Phosphor Bronze.  
 Gold Plated on contact Area and 80u" Min Tin or Gold  
 Flash Plated on solder tail over 50u" Min Nickel.

**Electrical Characteristics:**

Current Rating: 2 AMP.  
 Dielectric Withstanding Voltage: AC 1000V For 1 minute.  
 Insulator Resistance: 1000MQ Min. at DC 500V.  
 Contact Resistance: 20mΩ Max. at DC 100mA.  
 Operating Temperature: -55°C ~+125°C .  
**\*RoHS Compliant**



**P.C. Board Layout**  
(Tolerance: ±0.05)

**9001- 3 5 xx 1 C xx x A**  
 Series: 3: 2.54mm, 5: Male, Position, 1: Dip Length  
 A: Tray Package  
 Blank: W/O Lock  
 L1: With Lock  
 00: G/F  
 10: 10 u"  
 15: 15 u"  
 30: 30 u"  
 C: Dip Tin  
 Contact Gold  
 G: Gold

Pin	Dimension				
	A	B	C	D	E
32/16	54.00	48.26	47.40	38.10	44.60
44/22	69.24	63.50	62.64	53.34	59.95
48/24	74.32	68.58	67.72	58.42	65.03
50/25	76.86	71.12	70.26	60.96	67.57

9001-35161CxxxA		a-	16	2.54mm	
9001-35221CxxxA		a-	22		
9001-35241CxxxA		a-	24		
9001-35151CxxxA		a-	25		
9001-35321CxxxA		ab	32		
9001-35441CxxxA		ab	44		
9001-35481CxxxA		ab	48		
9001-35501CxxxA		ab	50		
P/N	Contact Arrange	Rows with Contacts	Pin		Pitch

Tolerances	Dwg No.	9001D35001
x = ±0.5	Projection	
.x = ±0.25	Unit	mm
.xx = ±0.15	Scale	1:1
	Drawn By	ZY 1/19'22

Title: 9001 Series  
 DIN 41612  
 Half B Type Male

<b>WingTAT</b> <sup>®</sup>			
深圳市格林柏电子技术开发有限公司			
P/N: 9001-35xx1CxxxA			
SHEET	1/1	Ver.No.	R6